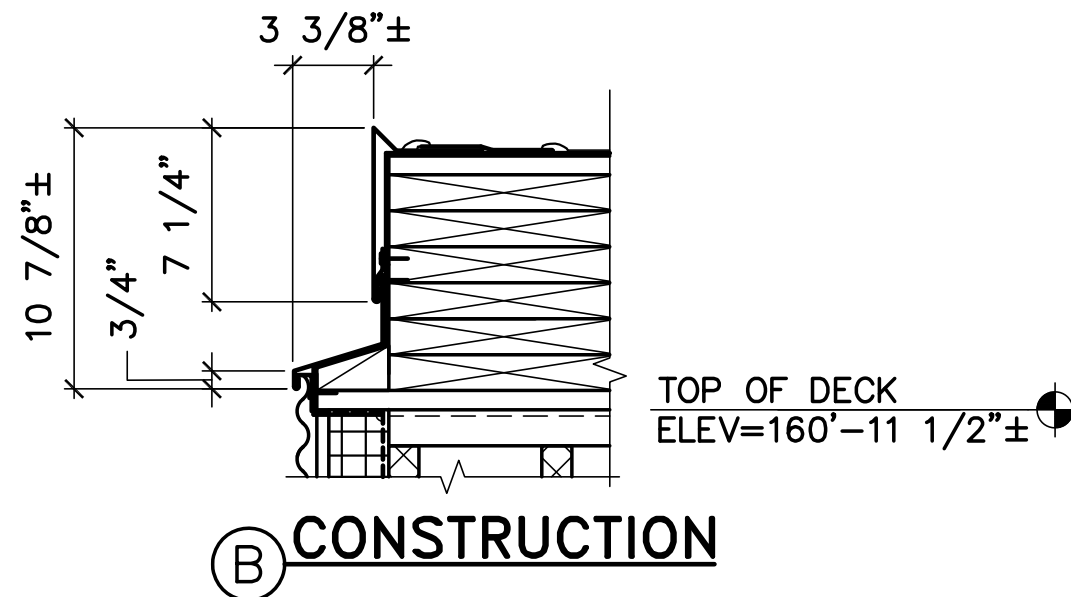
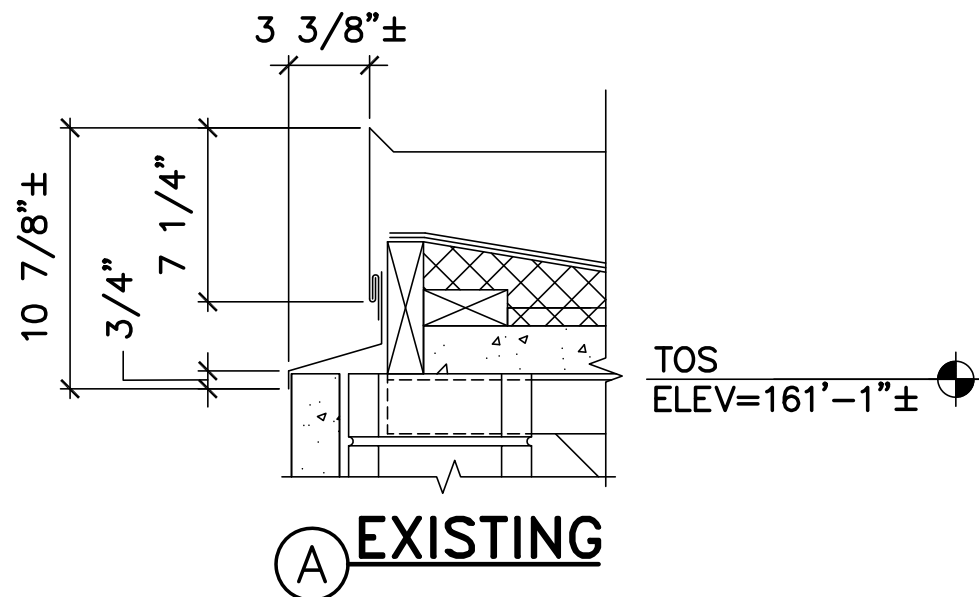


### SKETCH NOTES:

1. REFER TO SHEET AE120 FOR INFORMATION NOT SHOWN ON THIS SKETCH.

**1 REVISED ROOF EDGE DETAIL**  
 SK-A1 SK-A3 SCALE: 1-1/2"=1'-0"



**2 ROOF EDGE PROFILE**  
 SK-A2 SK-A3 SCALE: 1-1/2"=1'-0"

NOTE: ALIGN NEW EDGE DETAIL WITH EXIST FLASHING PROFILE. VERIFY DIMENSIONS IN FIELD.