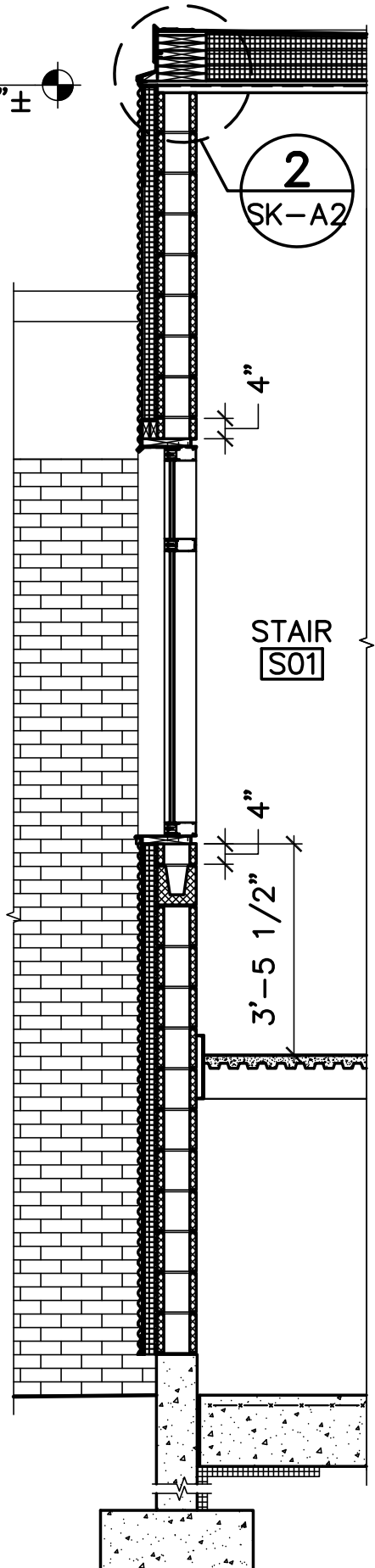


12 Jul, 2016 - 10:53am
 C:\dfile\21602.06-SK-A2.dwg

TOP OF DECK
 ELEV=160'-11 1/2"±

2ND FLOOR
 ELEV=150'-2"±

TOP OF SLAB
 ELEV=139'-6"±



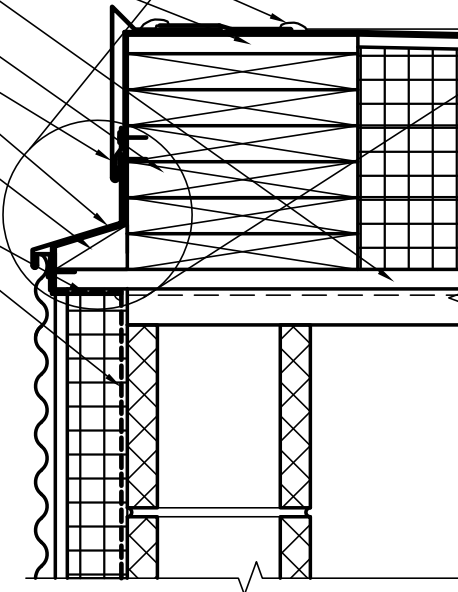
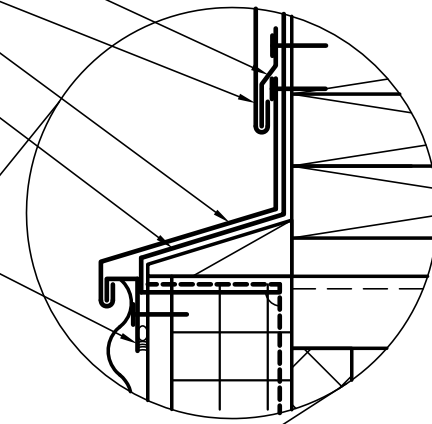
1 REVISED SECTION
 SK-A1 SK-A2 SCALE: 3/8"=1'-0"

SKETCH NOTES:

1. REFER TO SHEET AE120 AND AE220 FOR INFORMATION NOT SHOWN ON THIS SKETCH.

CONT MTL HOOK STRIP
 SET IN SEALANT BED
 BRAKE MTL FASCIA
 EPDM MEMBRANE
 MTL SIDING CLOSURE
 WITH BACKER ROD &
 SEALANT

LAP SEALANT (TYP)
 3/4" CDX PLYWOOD
 2X10 CONT WD BLOCKING (TYP)
 BRAKE MTL FASCIA
 CONT WD BLOCKING
 LAP & SEAL EPDM MEMBRANE OVER
 AIR/VAPOR BARRIER MEMBRANE



2 REVISED ROOF EDGE DETAIL
 SK-A2 SK-A2 SCALE: 1-1/2"=1'-0"
 NOTE: SEE 2/SK-A3 FOR EXISTING EDGE PROFILE.

DESIGNED BY: JMC
 DRAWN BY: CET
 CHECKED BY: JMC
 PROJECT: 21602.06

REICHE ELEMENTARY SCHOOL
 PORTLAND SCHOOL DEPARTMENT
 REICHE ELEMENTARY
 STEVENS AVENUE ARMORY
 166 Brackett Street - Portland, ME 04101

REVISED SECTION & ROOF EDGE DETAILS

SCALE: AS NOTED
 DATE: 06-22-16
 REV: **SK-A2**
 CLARIFICATION SKETCH