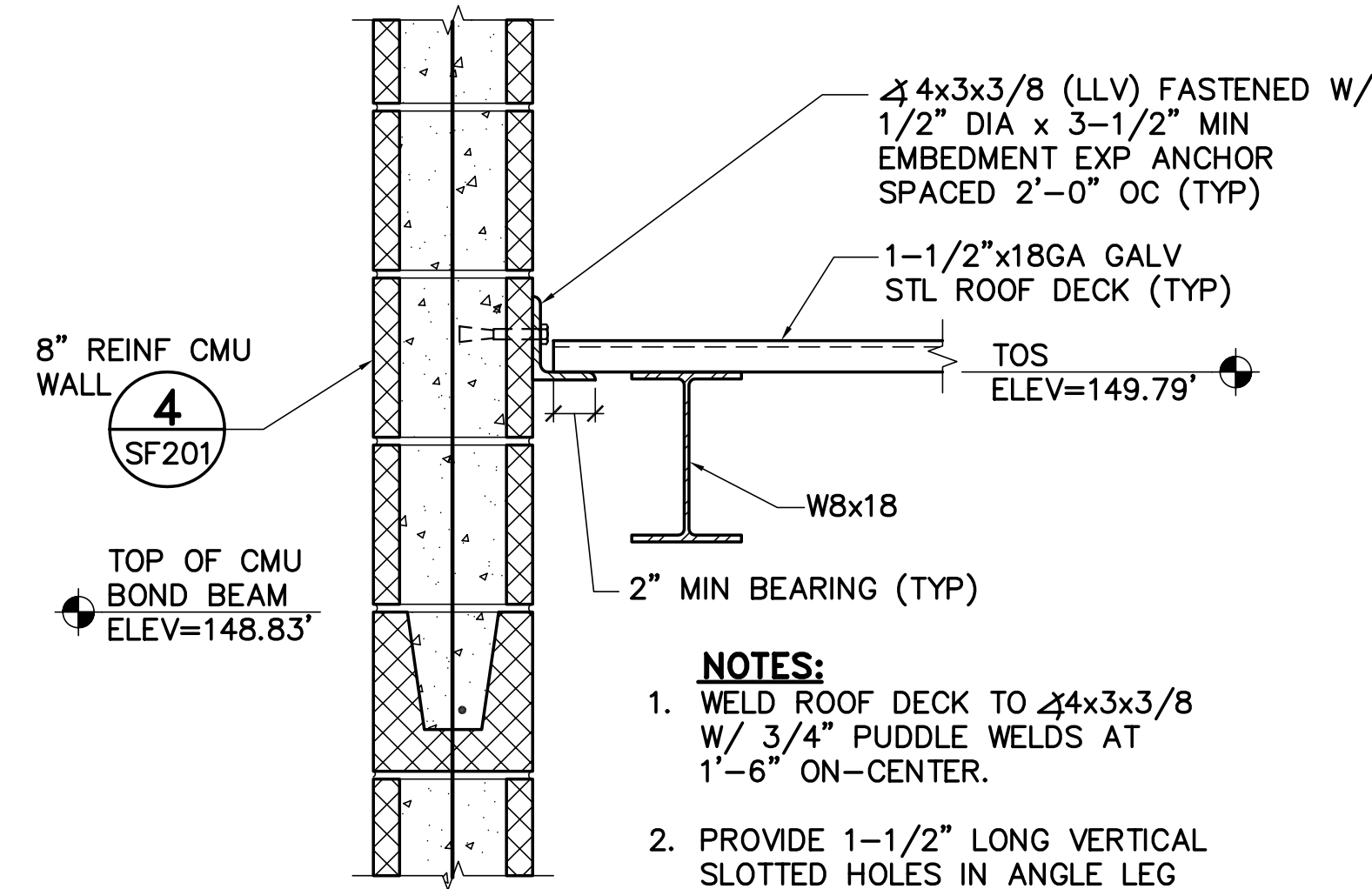


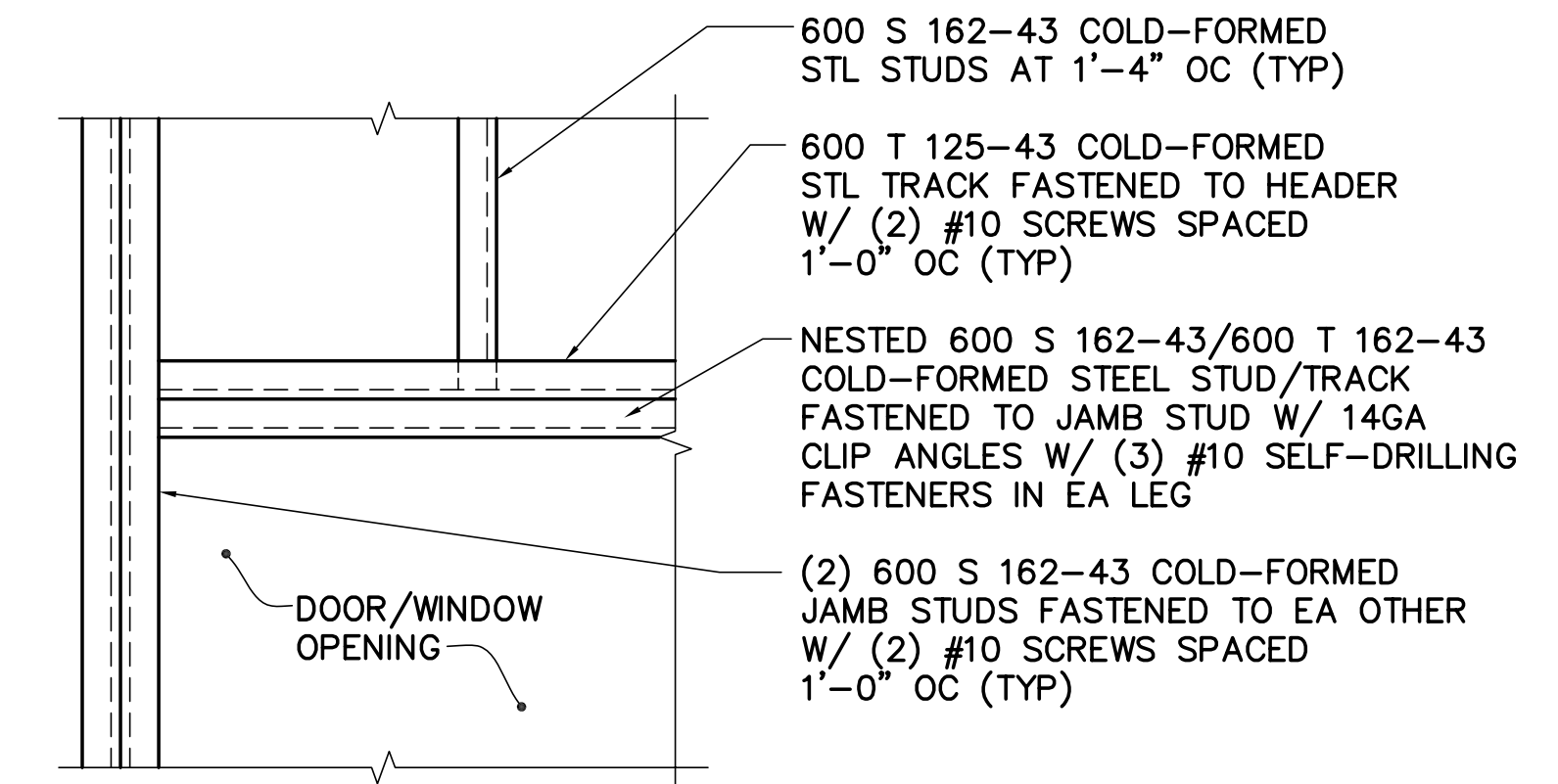
**NOTE:**  
 PROVIDE A MINIMUM OF (2) PUDDLE WELDS BETWEEN STEEL DECK AND EMBEDDED STEEL PLATES (TYPICALLY PLATES LESS THAN 3'-0" LONG).

**1 TYP W8x10 BEAM POCKET AND ROOF DECK CONN DETAIL**  
 SF504 SCALE: 1-1/2"=1'-0"



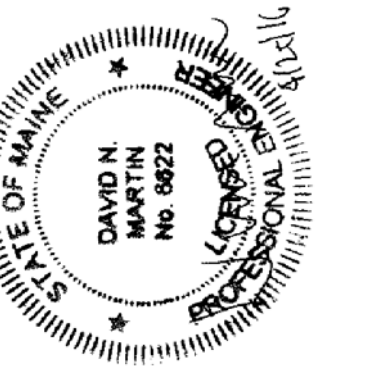
**NOTES:**  
 1. WELD ROOF DECK TO 4x3x3/8 W/ 3/4" PUDDLE WELDS AT 1'-6" ON-CENTER.  
 2. PROVIDE 1-1/2" LONG VERTICAL SLOTTED HOLES IN ANGLE LEG AT EACH EXPANSION BOLT LOCATION.

**2 TYP STL DECK TO CMU WALL CONN DETAIL**  
 SF504 SCALE: 1-1/2"=1'-0"



**3 TYP COLD-FORMED STL HEADER/JAMB CONN DETAIL**  
 SF504 SCALE: 1-1/2"=1'-0"

25 Apr 2016 2:19pm  
 C:\office\21602.06-SF504.dwg



DESIGNED BY: WFG  
 DRAWN BY: MJC  
 CHECKED BY: DNM  
 PROJECT: 21602.06

REICHE ELEMENTARY SCHOOL  
 PORTLAND SCHOOL DEPARTMENT  
 353 Cumberland Avenue  
 Portland, ME 04102

REICHE ELEMENTARY  
 ELEVATOR ADDITION  
 166 Brackett Street  
 Portland, ME 04102

**STRUCTURAL  
 DETAILS 4**

SCALE: AS NOTED  
 DATE: 04-26-2016

DWG.: SF504

SHEET: 18 OF 40

