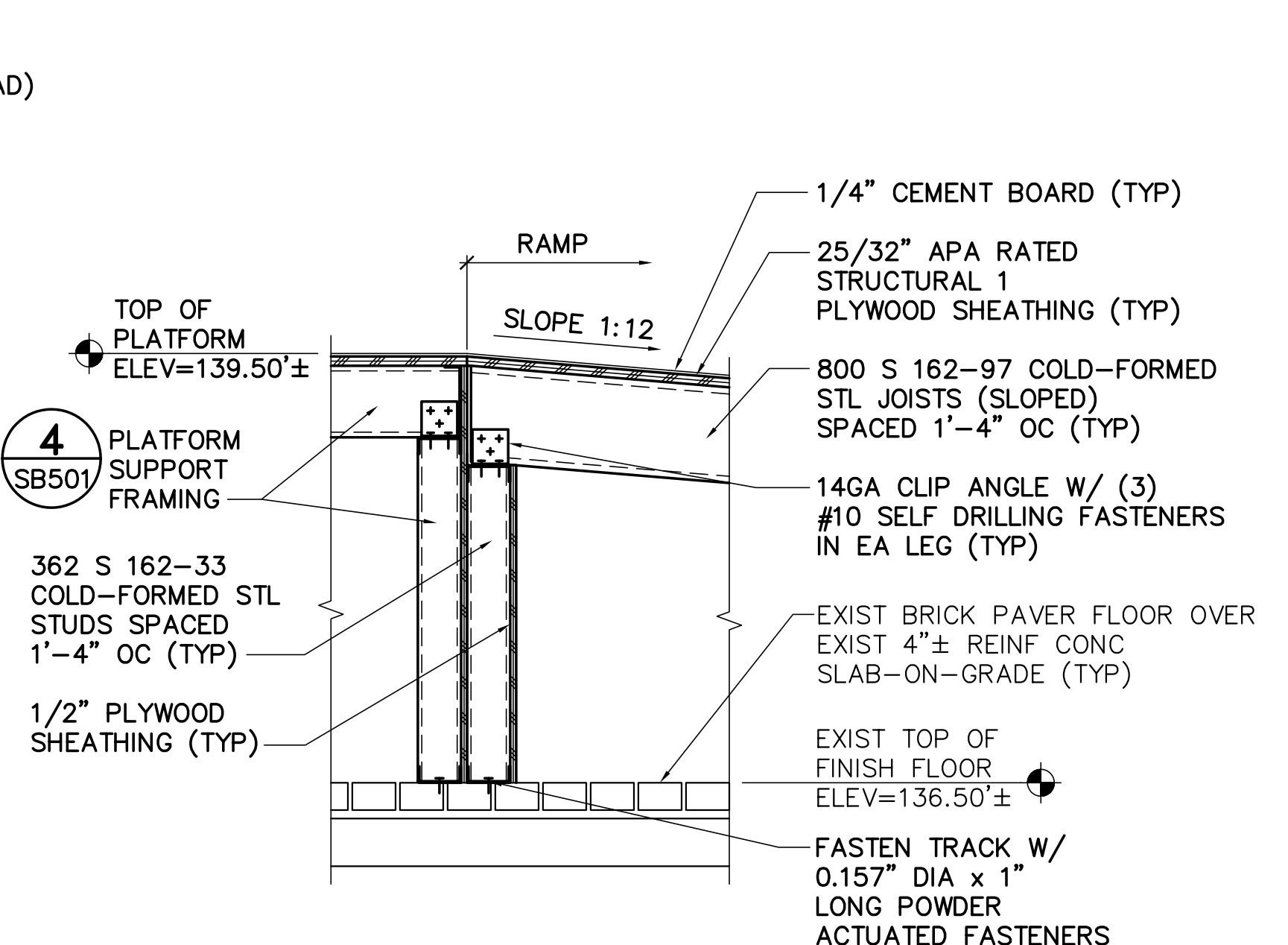
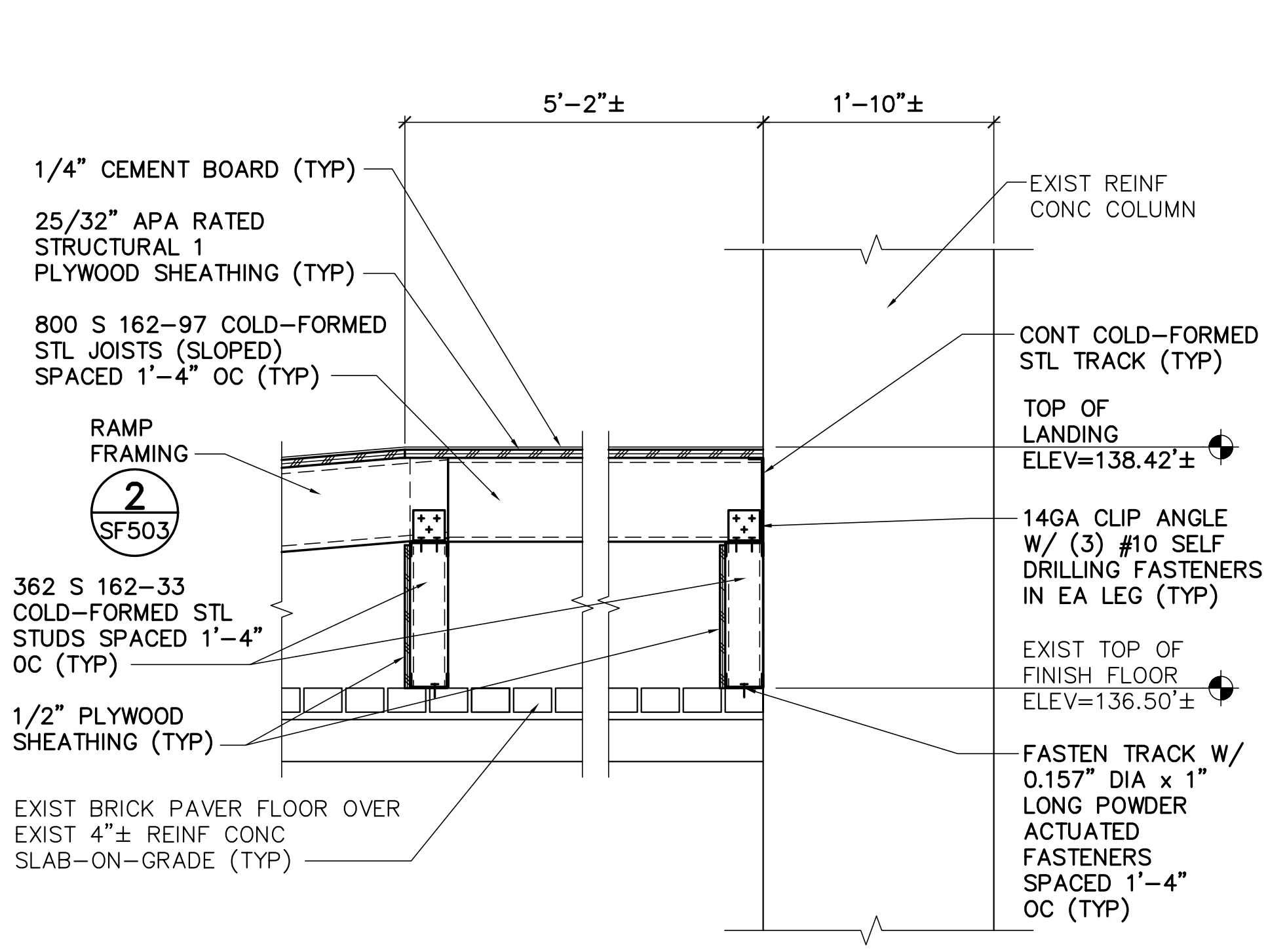


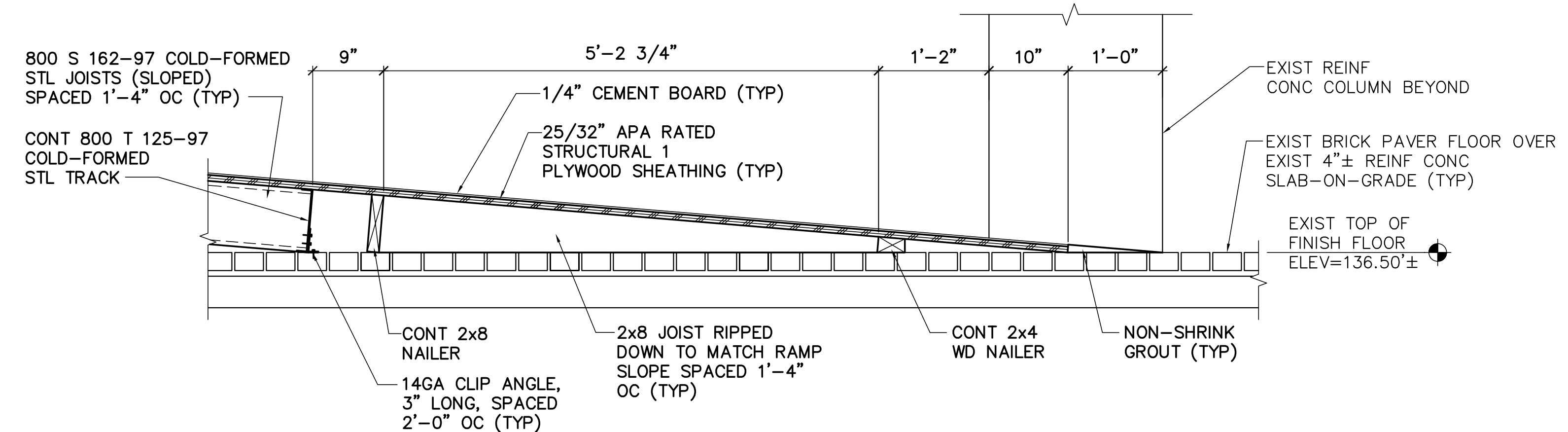
1 TYP STAIR SUPPORT FRAMING
SF401, SF503 SCALE: 1"=1'-0"



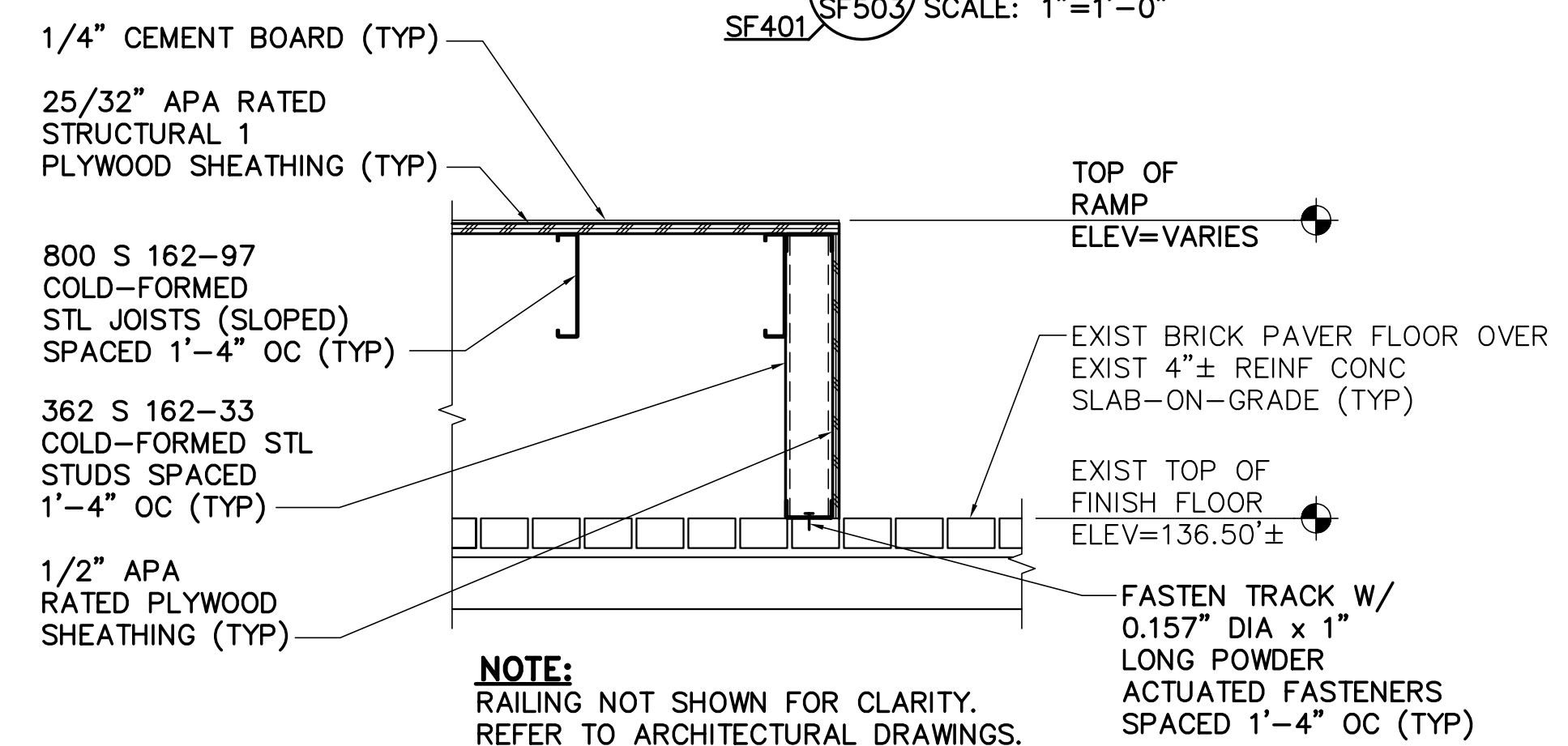
2 TYP RAMP JOIST TO WALL CONN DETAIL
SF401, SF503 SCALE: 1"=1'-0"



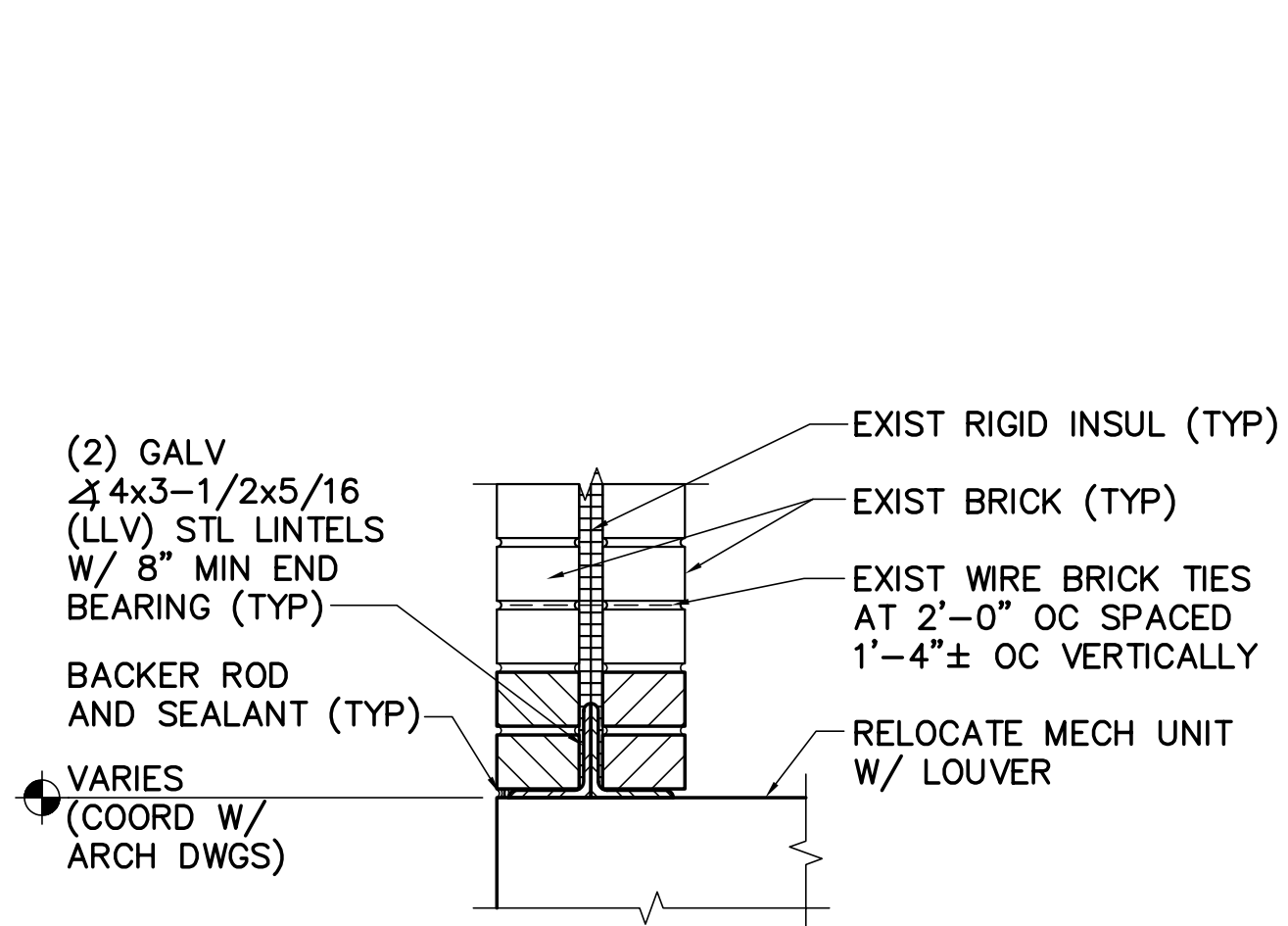
3 TYP LANDING SUPPORT FRAMING DETAIL
SF401, SF503 SCALE: 1"=1'-0"



4 TYP LOWER RAMP SECTION
SF401, SF503 SCALE: 1"=1'-0"

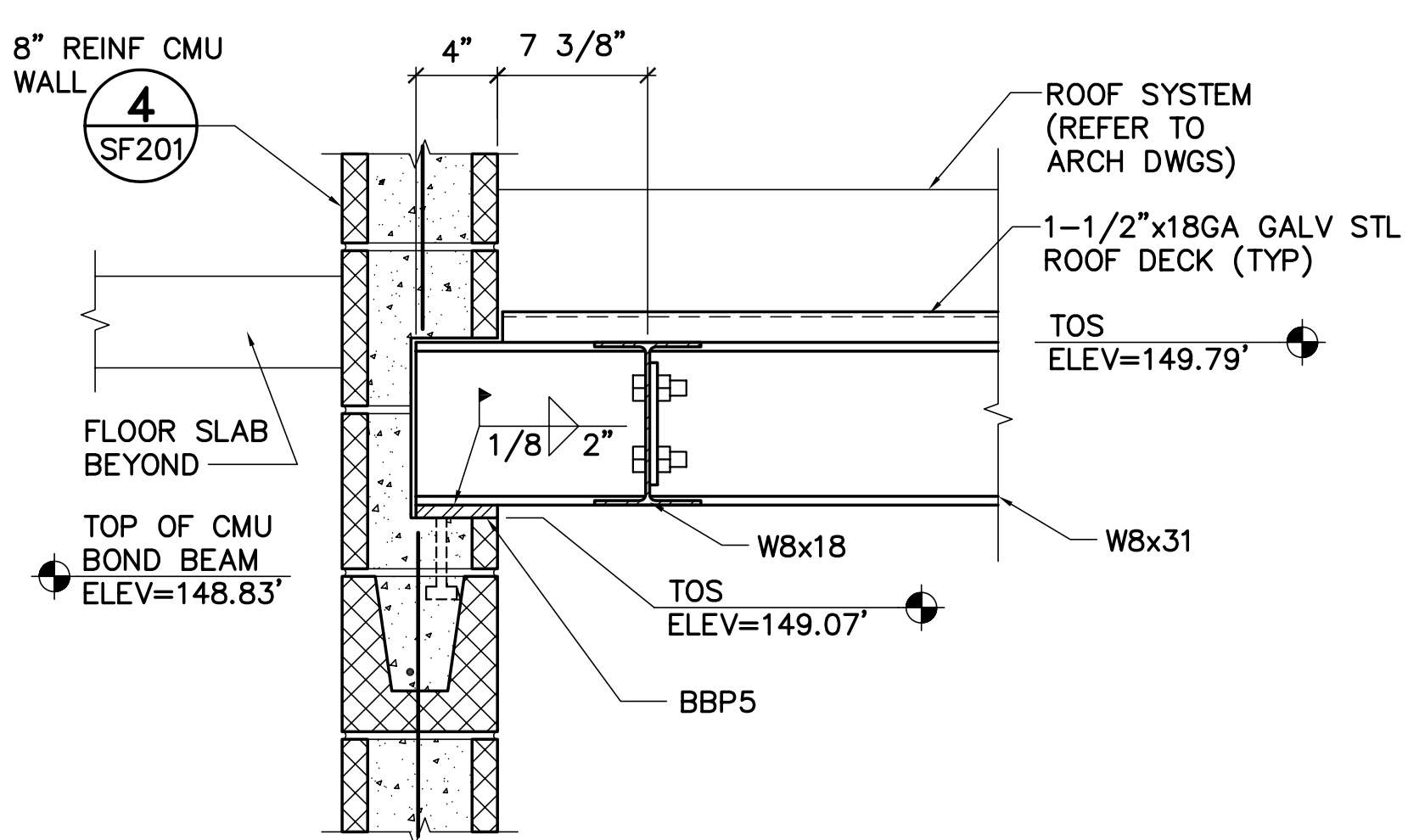


5 TYP EDGE WALL RAMP SUPPORT DETAIL
SF401, SF503 SCALE: 1"=1'-0"

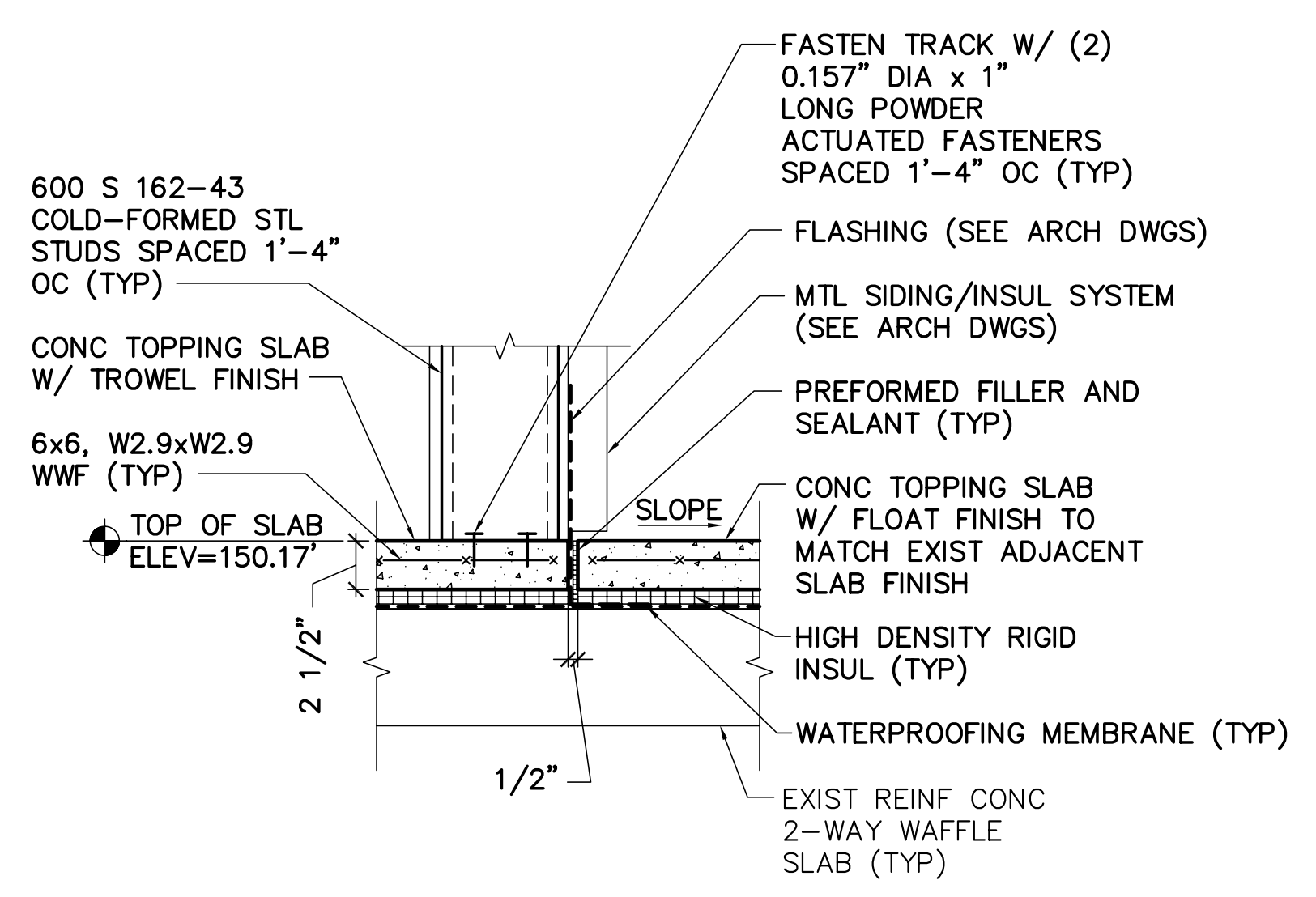


NOTE:
REMOVE AND REINSTALL EXISTING BRICK AS REQUIRED TO INSTALL LINTELS.

6 TYP LINTEL DETAIL FOR LOUVER
SF101, SF102, SF503 SCALE: 1-1/2"=1'-0"

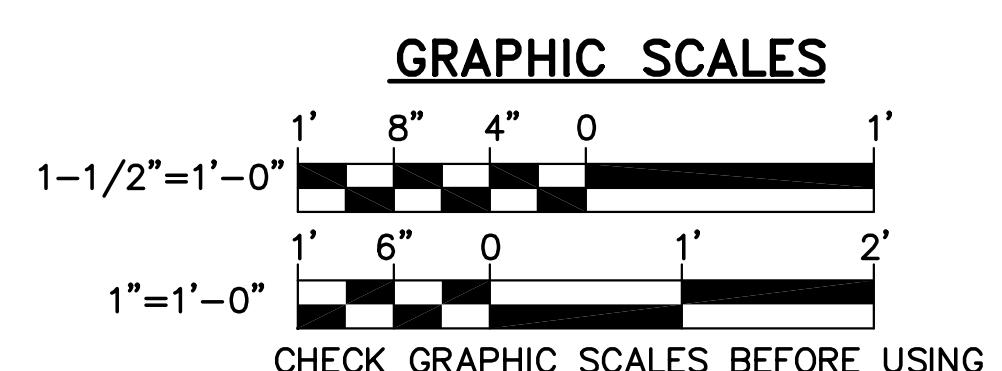


7 W8x31 BEARING PLATE DETAIL
SF101, SF503 SCALE: 1-1/2"=1'-0"

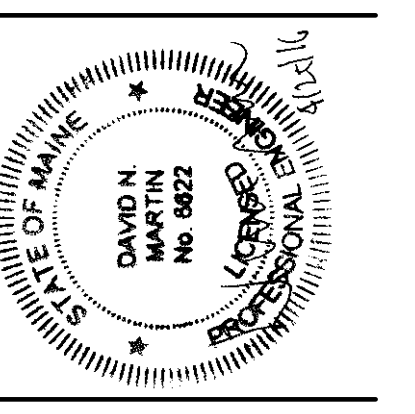


8 TYP TOPPING SLAB EXP JOINT DETAIL
SF101, SF503 SCALE: 1-1/2"=1'-0"

- DRAWING NOTES:**
- REFER TO SHEET S-001 FOR FASTENING OF PLYWOOD SHEATHING TO STEEL STUDS/JOISTS.
 - PLYWOOD FLOOR AND WALL SHEATHING SHALL BE FIRE-RETARDANT TREATED.



25 Apr. 2016 - 2:17pm
C:\office\21602.06-SF503.dwg



DESIGNED BY: WFG
DRAWN BY: MJC
CHECKED BY: DNM
PROJECT: 21602.06

**REICHE ELEMENTARY SCHOOL
PORTLAND SCHOOL DEPARTMENT**
353 Cumberland Avenue
Portland, ME 04102

**REICHE ELEMENTARY
ELEVATOR ADDITION**
166 Brackett Street
Portland, ME 04102

**STRUCTURAL
DETAILS 3**