

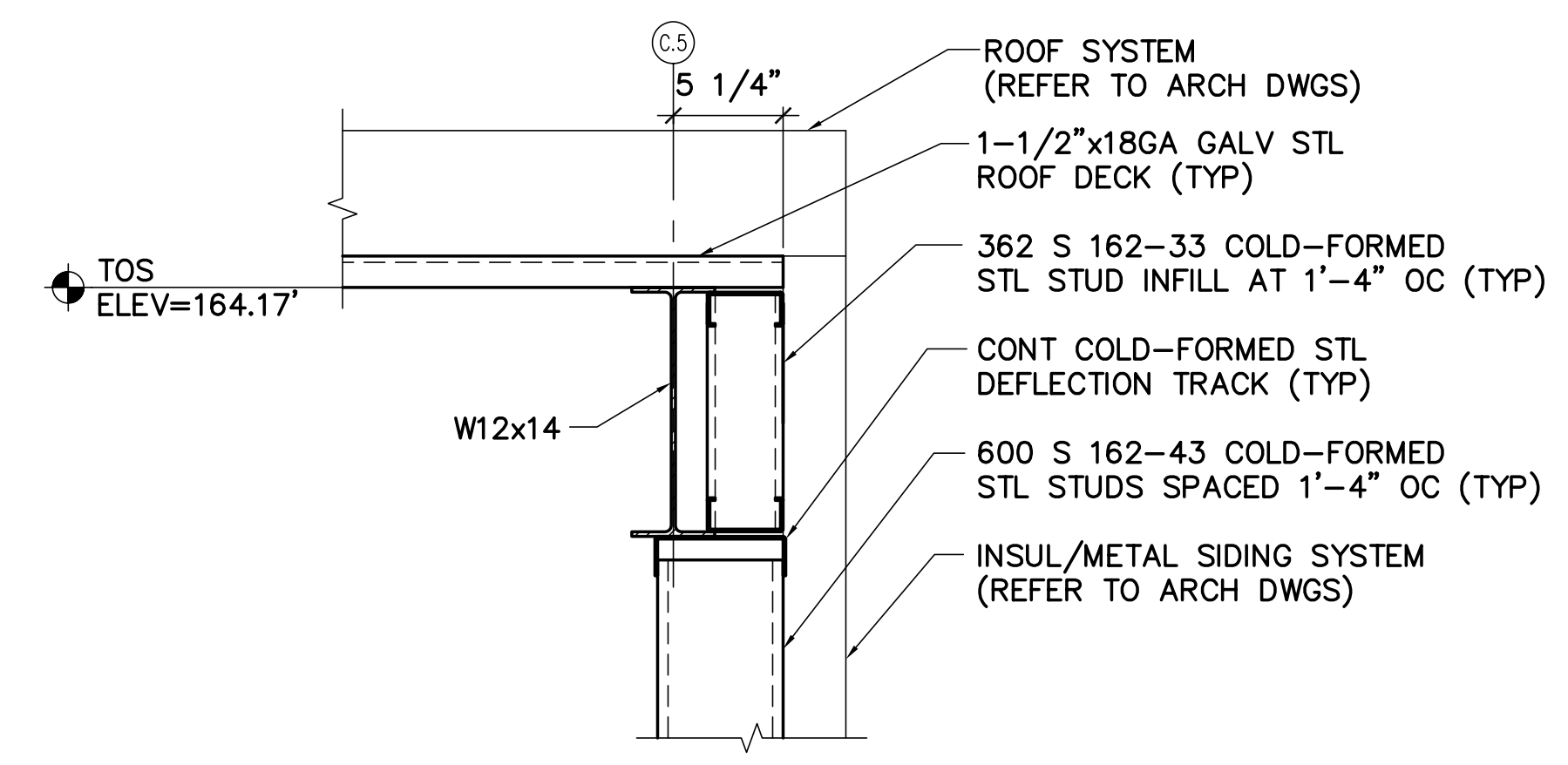
DESIGNED BY: WFG
 DRAWN BY: MJC
 CHECKED BY: DNM
 PROJECT: 21602.06

REICHE ELEMENTARY SCHOOL
 PORTLAND SCHOOL DEPARTMENT

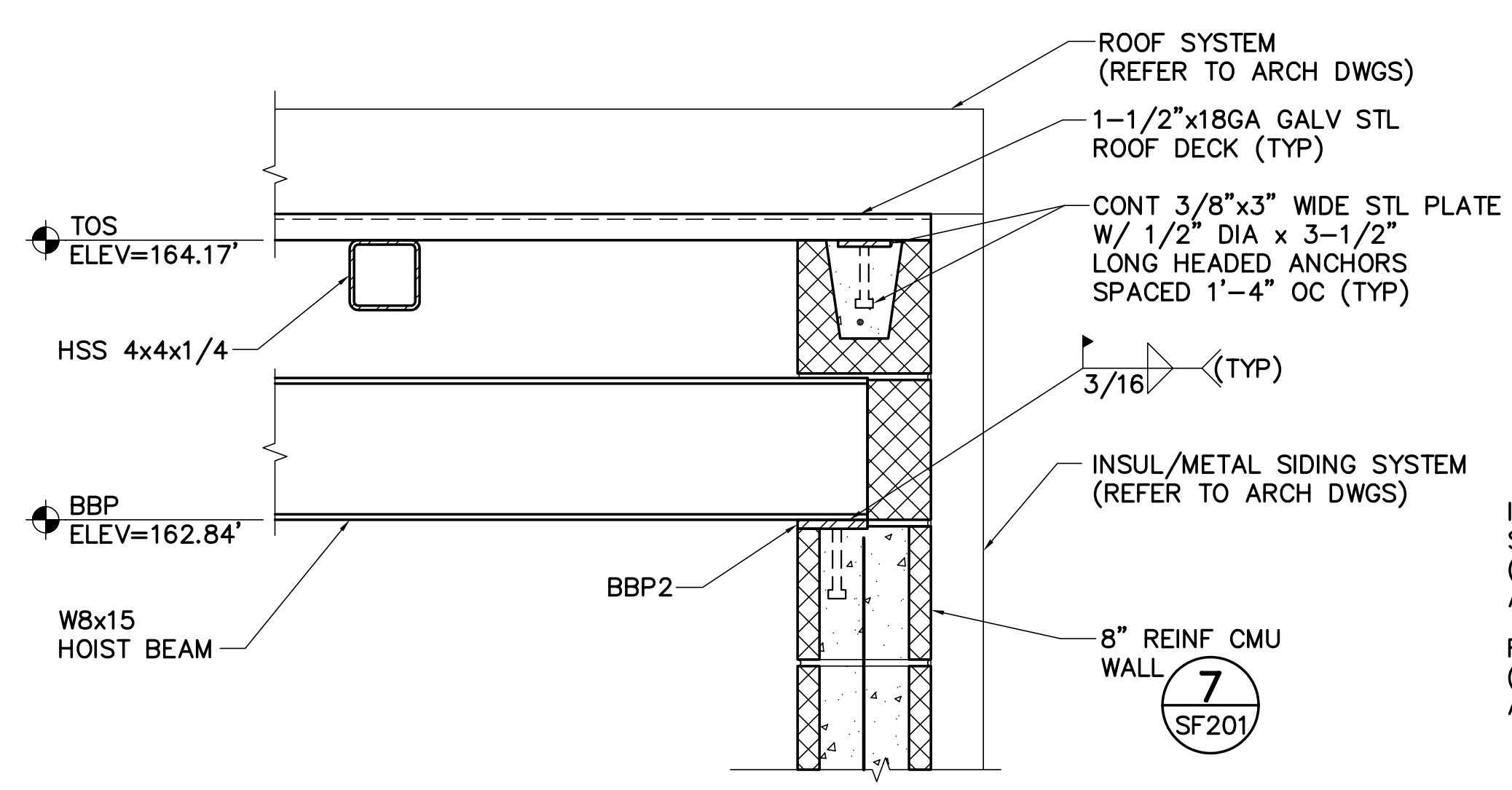
REICHE ELEMENTARY
 ELEVATOR ADDITION
 166 Brackett Street
 Portland, ME 04102

STRUCTURAL
 DETAILS 2

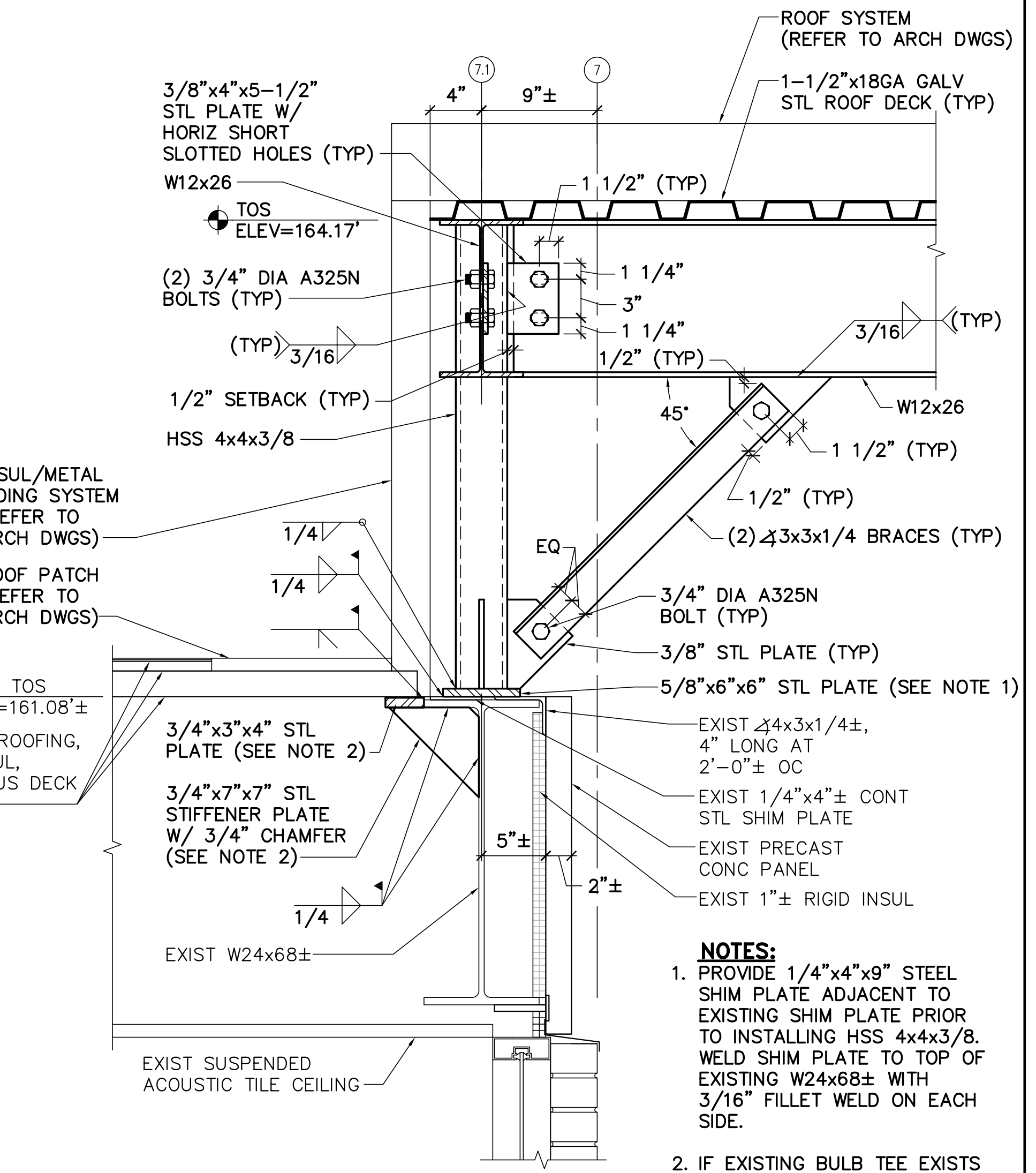
SCALE: AS NOTED
 DATE: 04-26-2016
 DWG.: SF502
 SHEET: 16 OF 40



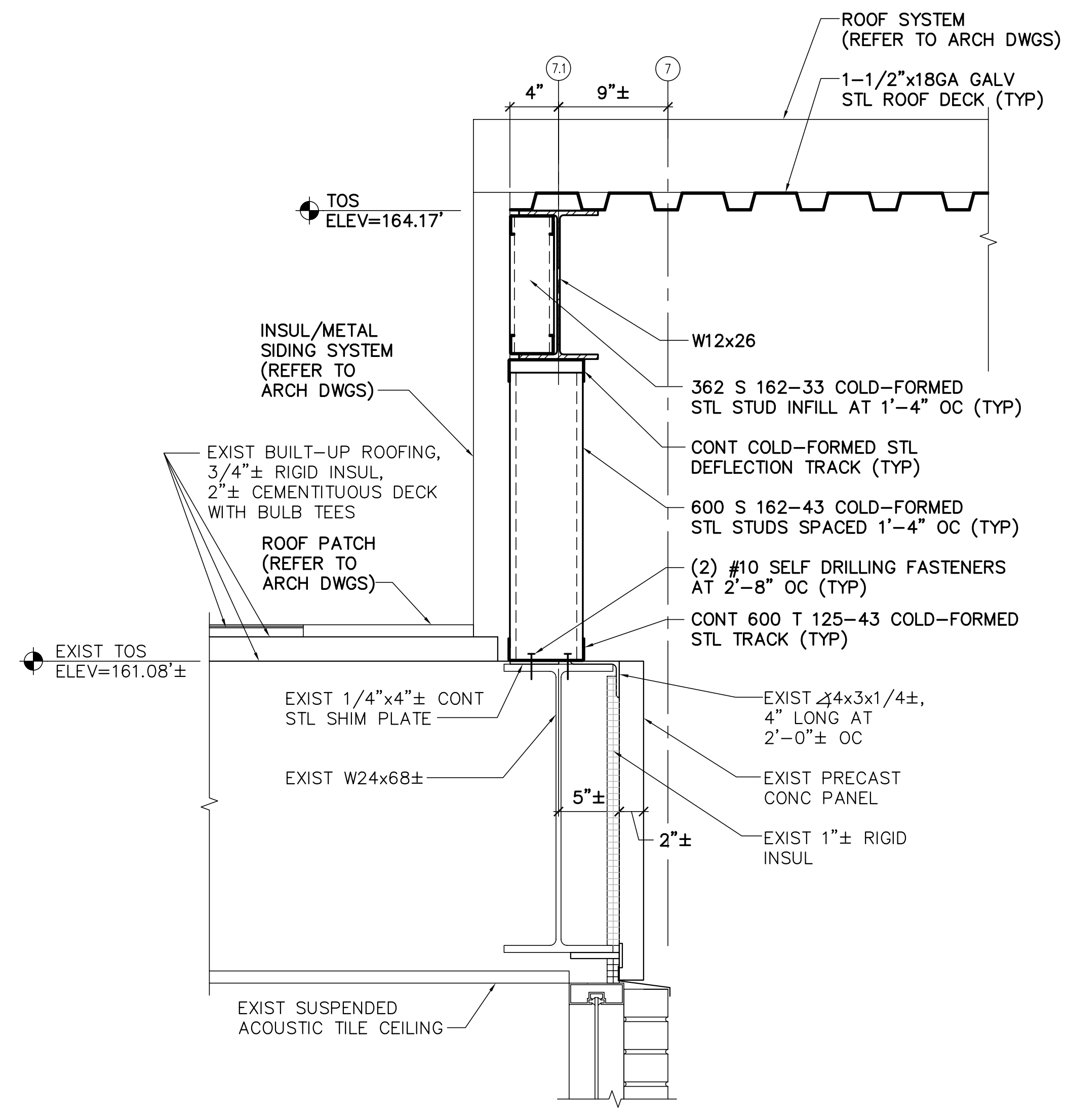
1 TYP EXT WALL STUD TO ROOF BEAM CONN DETAIL
 SF502 SCALE: 1-1/2"=1'-0"



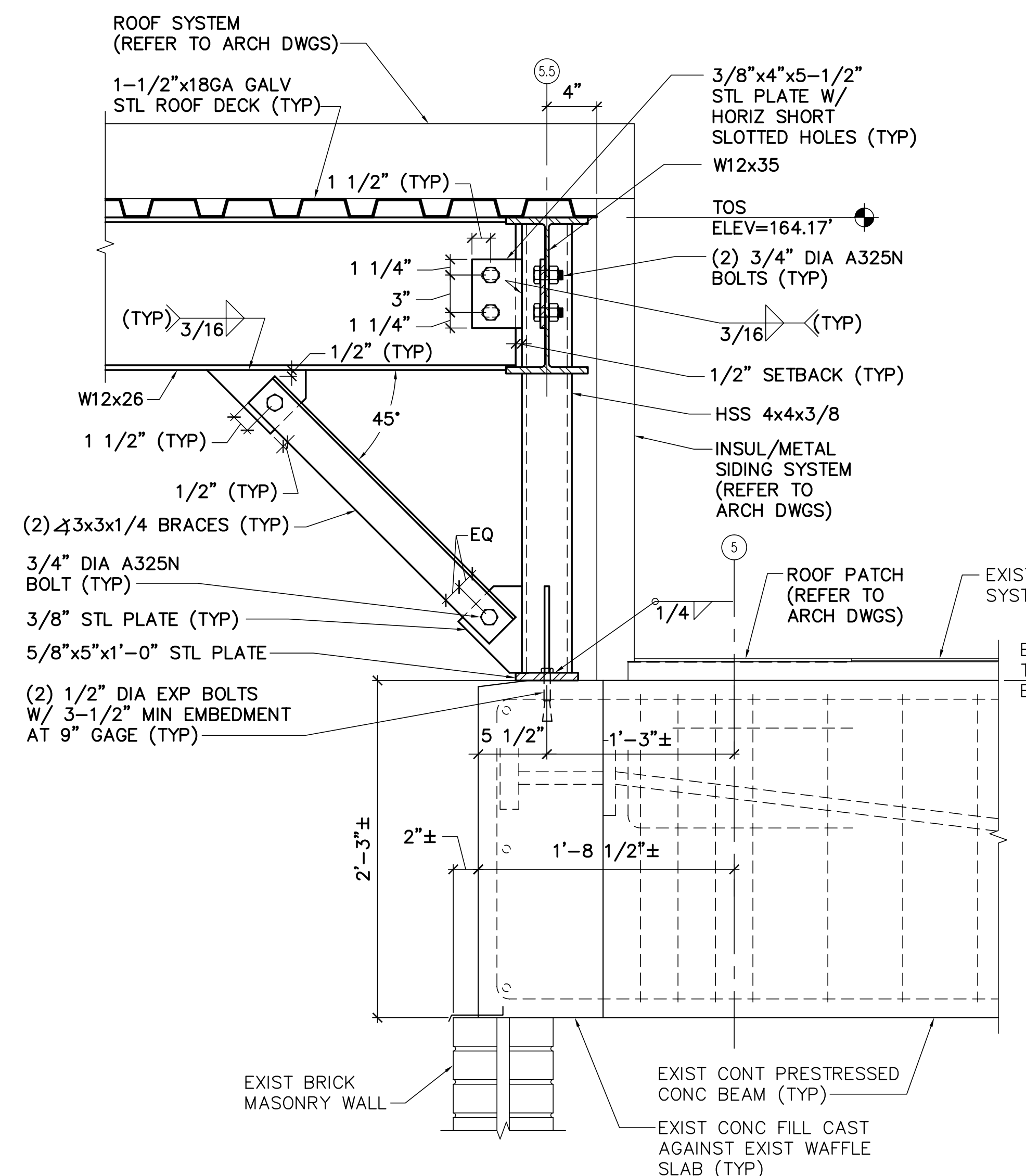
2 ELEVATOR HOIST BEAM DETAIL
 SF502 SCALE: 1-1/2"=1'-0"



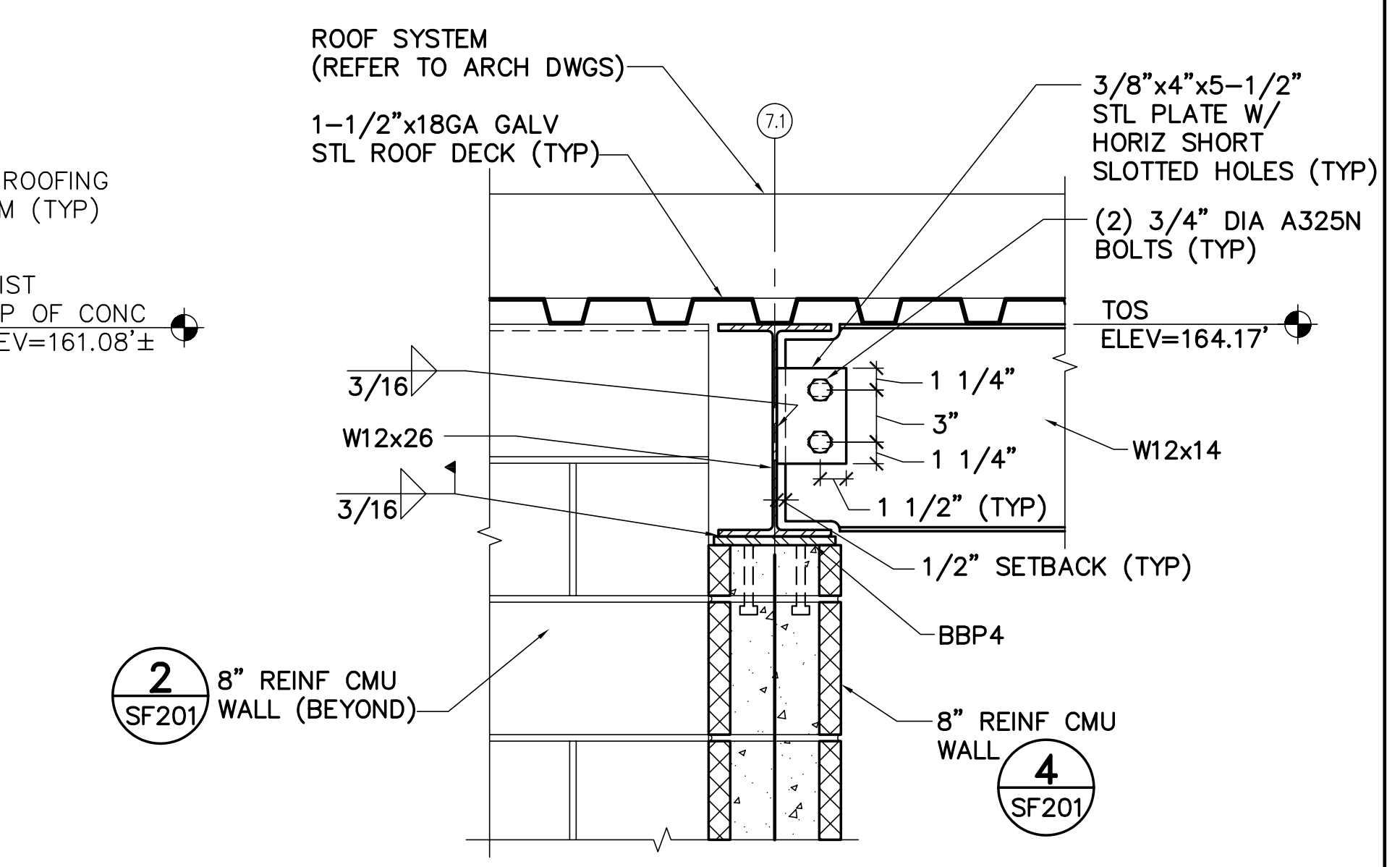
3 TYP HSS 4x4x3/8 TO EXIST W24x68± BEAM CONN DETAIL
 SF502 SCALE: 1-1/2"=1'-0"



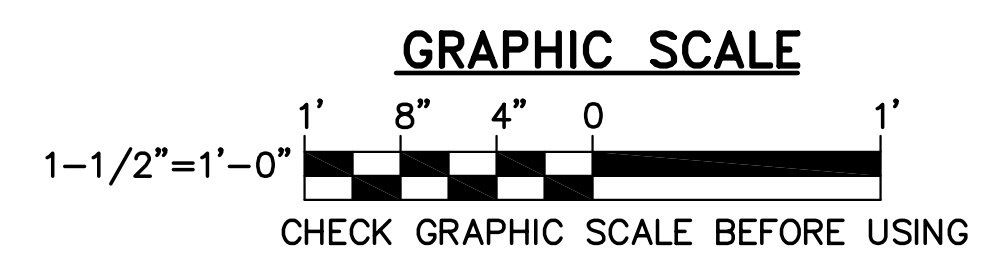
4 TYP EXT WALL SECTION ABOVE EXIST ROOF
 SF502 SCALE: 1-1/2"=1'-0"



5 TYP HSS 4x4x3/8 TO EXIST CONC BEAM CONN DETAIL
 SF502 SCALE: 1-1/2"=1'-0"



6 TYP W12x14 TO W12x26 CONN DETAIL
 SF502 SCALE: 1-1/2"=1'-0"



25 Apr 2016 - 2:15pm
 C:\office\21602.06-SF502.dwg