

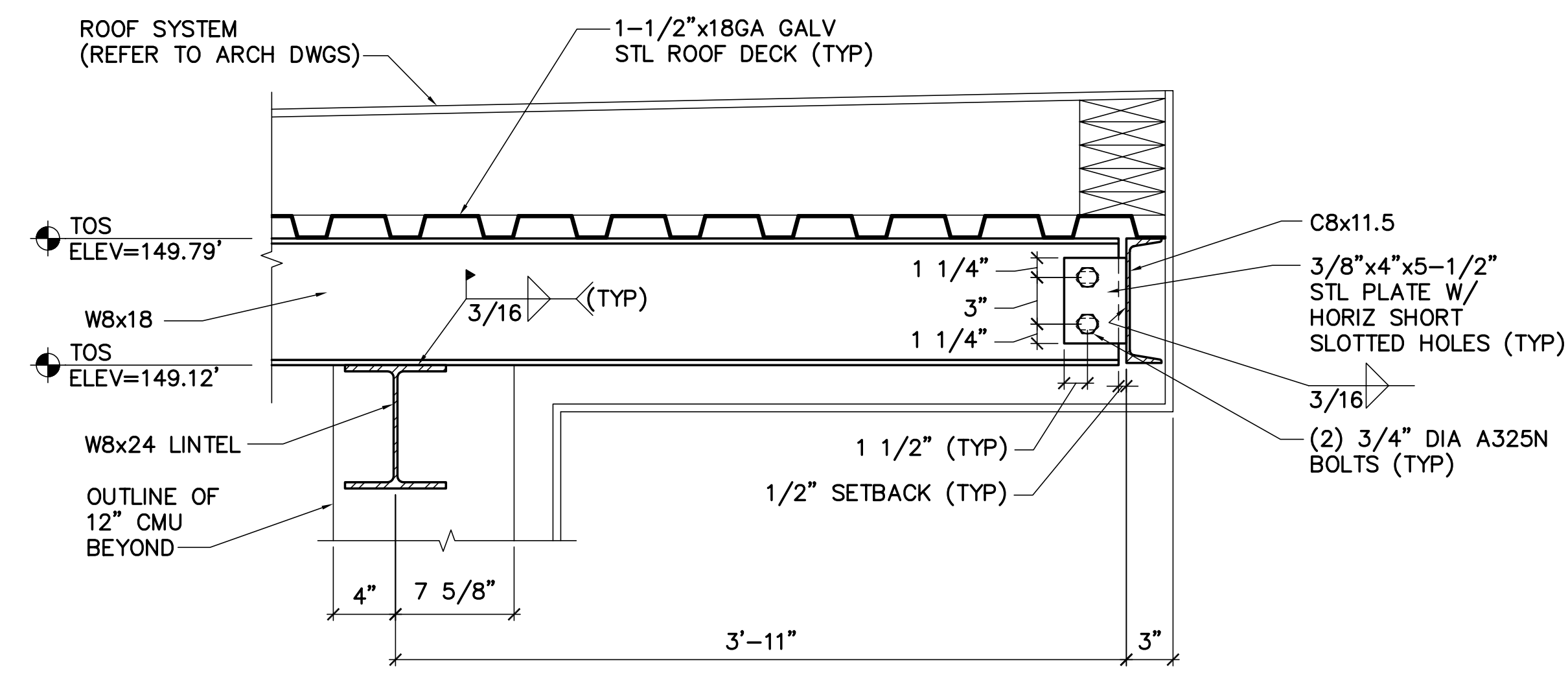
DESIGNED BY: WFG
 DRAWN BY: MJC
 CHECKED BY: DNM
 PROJECT: 21602.06

**REICHE ELEMENTARY SCHOOL
 PORTLAND SCHOOL DEPARTMENT**
 353 Cumberland Avenue
 Portland, ME 04102

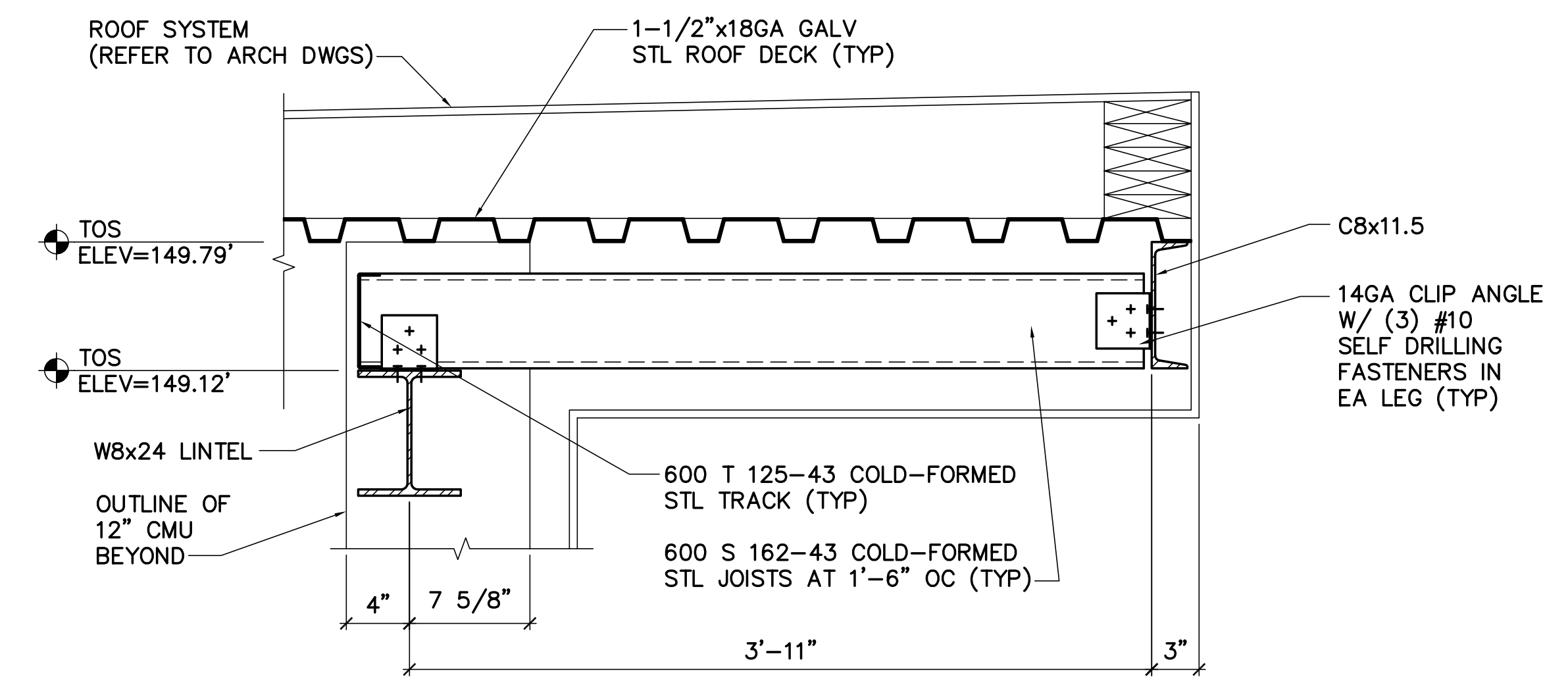
**REICHE ELEMENTARY
 ELEVATOR ADDITION**
 166 Brackett Street
 Portland, ME 04102

**STRUCTURAL
 DETAILS 1**

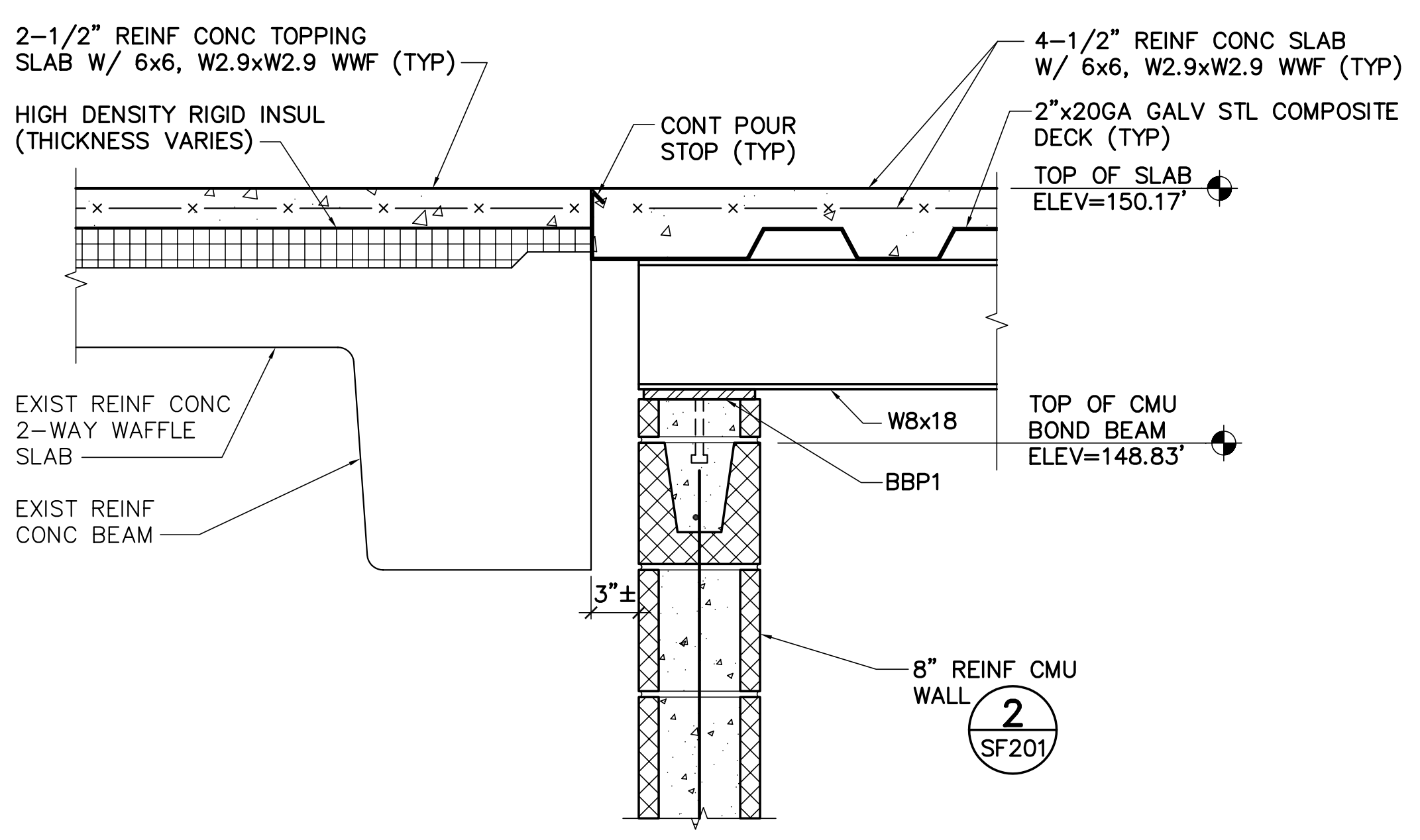
SCALE: AS NOTED
 DATE: 04-26-2016
 DWG.: SF501
 SHEET: 15 OF 40



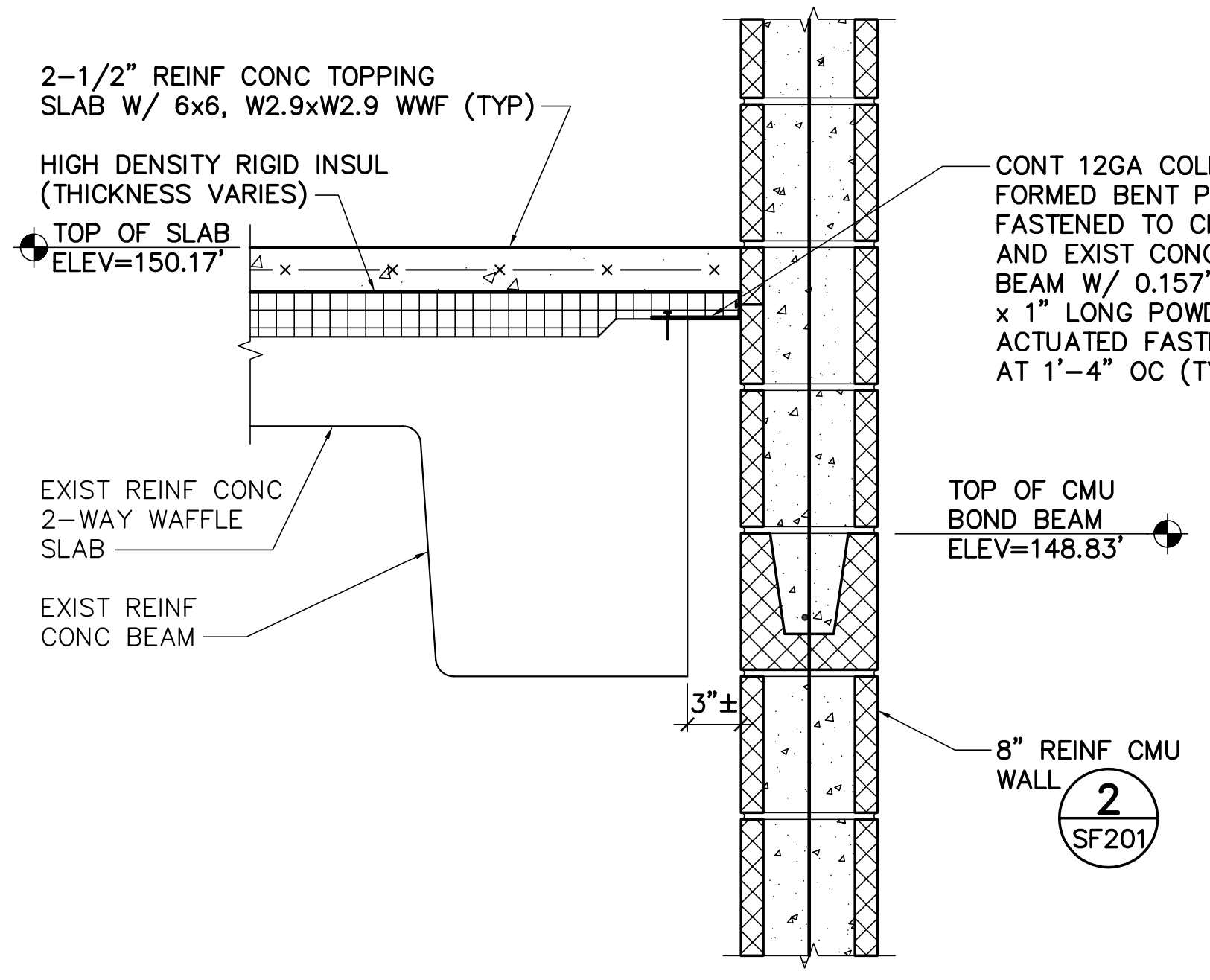
1 TYP CANTILEVERED W8x18 CONN DETAIL
 SF501 SCALE: 1-1/2"=1'-0"



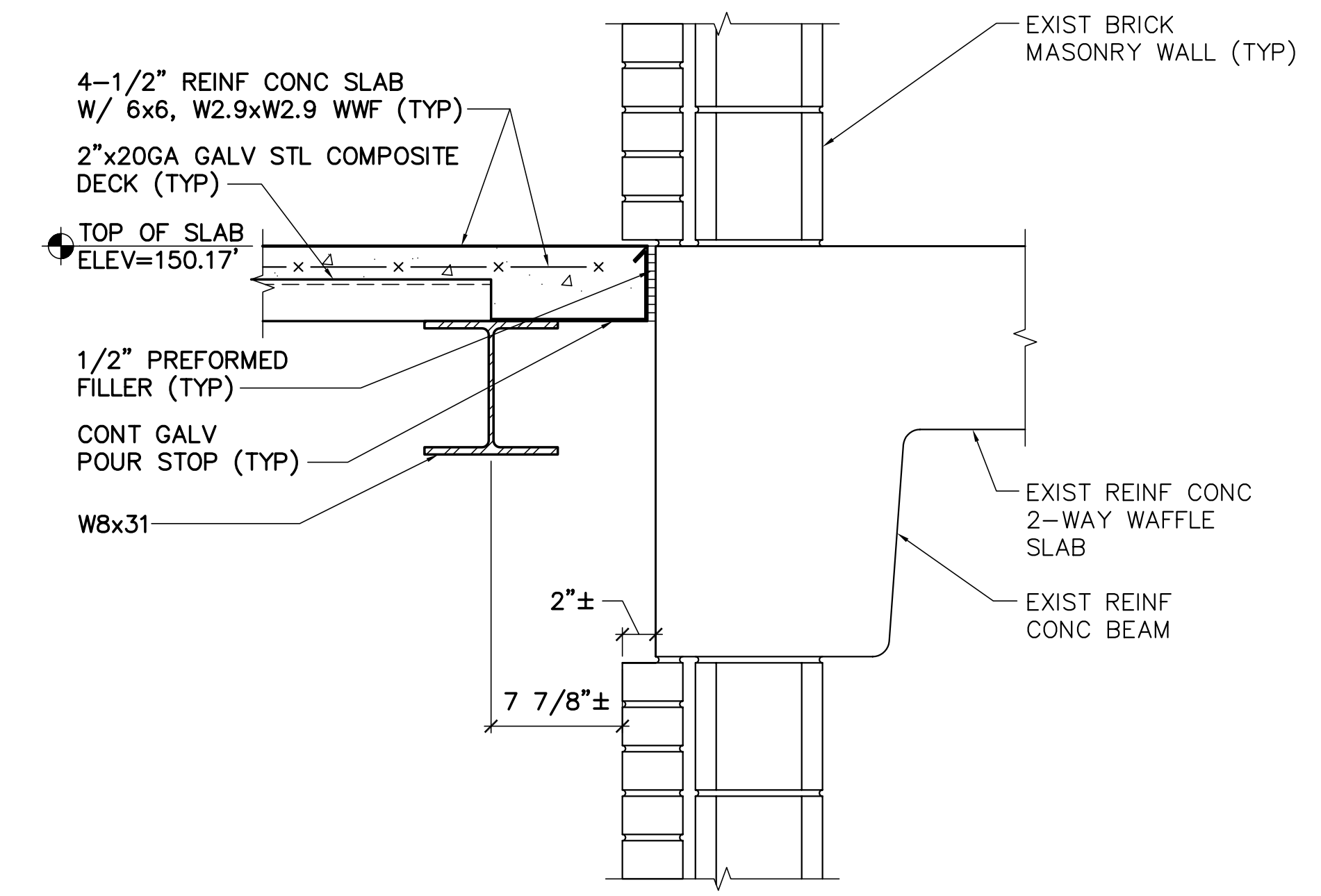
2 TYP EXTERIOR SOFFIT FRAMING DETAIL
 SF501 SCALE: 1-1/2"=1'-0"



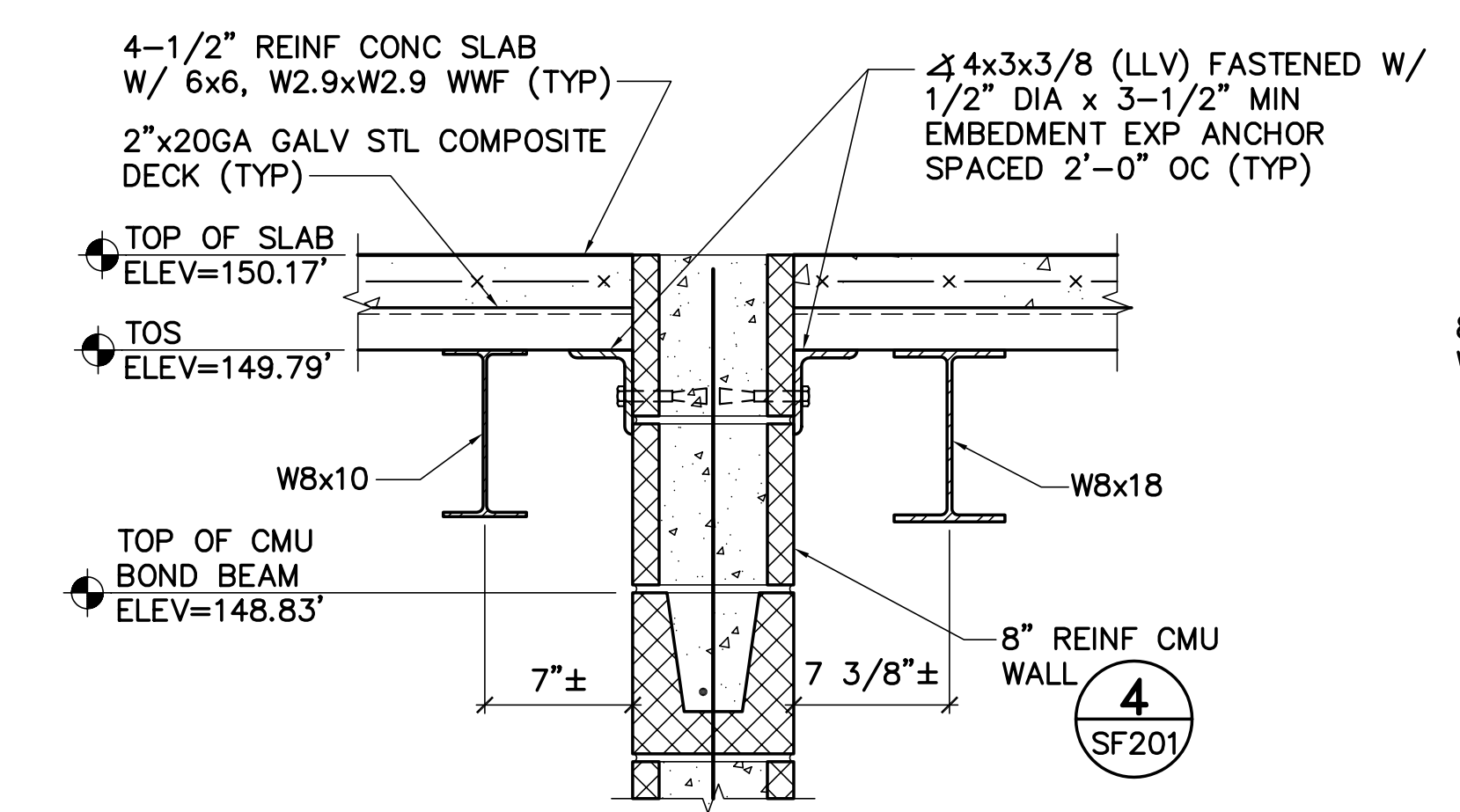
3 TYP TOPPING SLAB/SUSPENDED SLAB JOINT DETAIL
 SF501 SCALE: 1-1/2"=1'-0"



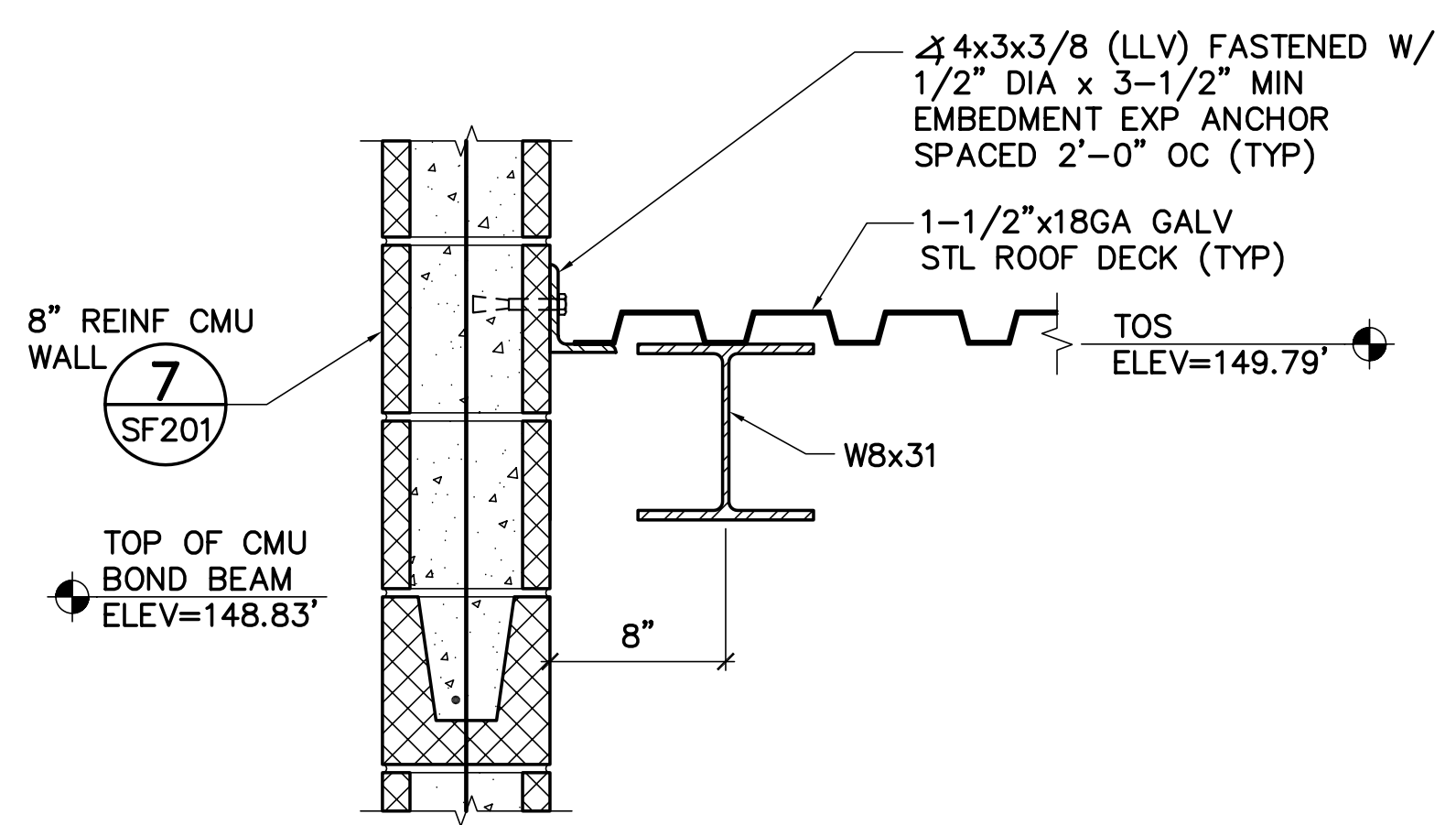
4 TYP TOPPING SLAB/ELEV HOISTWAY JOINT DETAIL
 SF501 SCALE: 1-1/2"=1'-0"



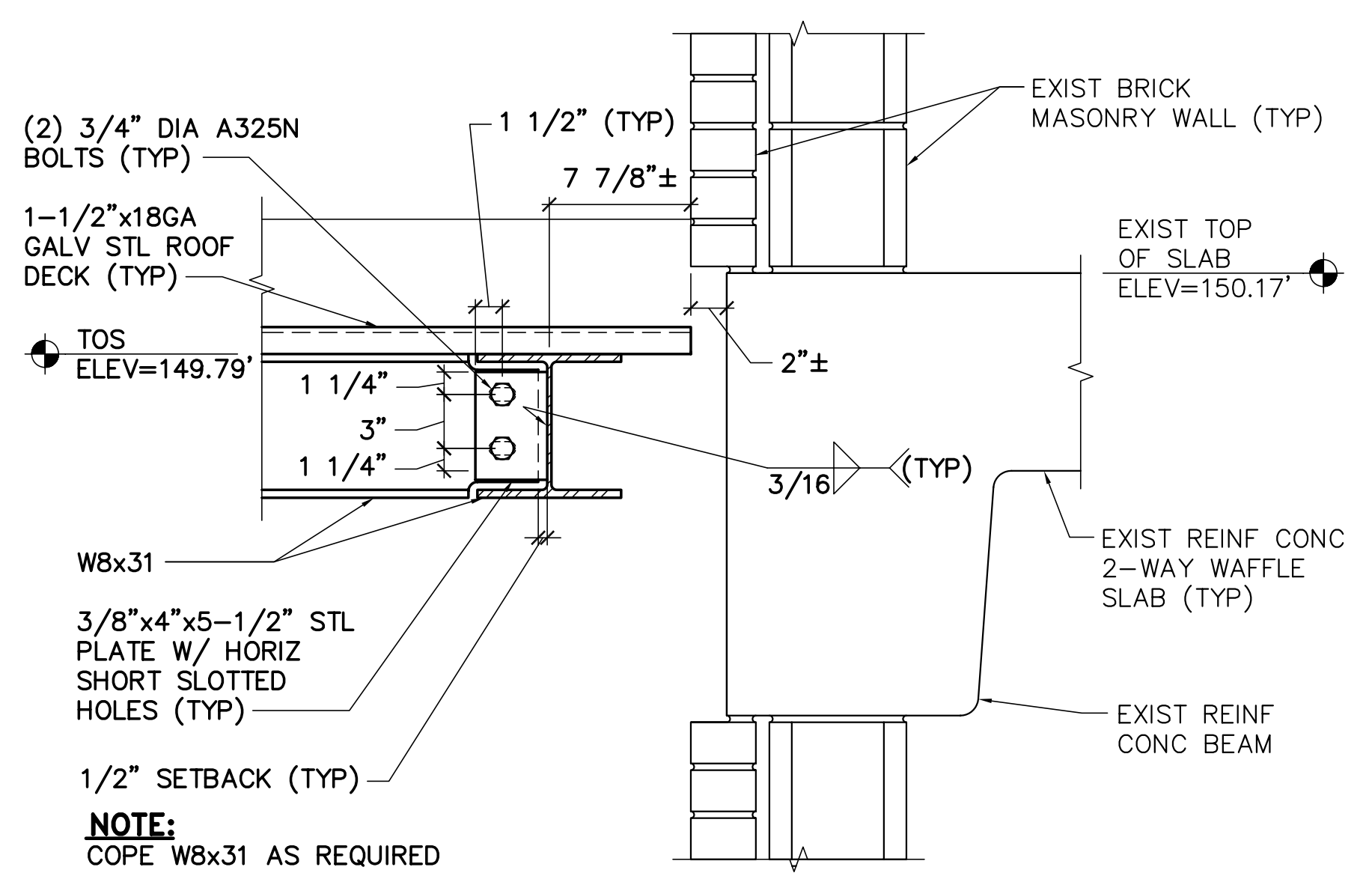
5 TYP SLAB EDGE DETAIL
 SF501 SCALE: 1-1/2"=1'-0"



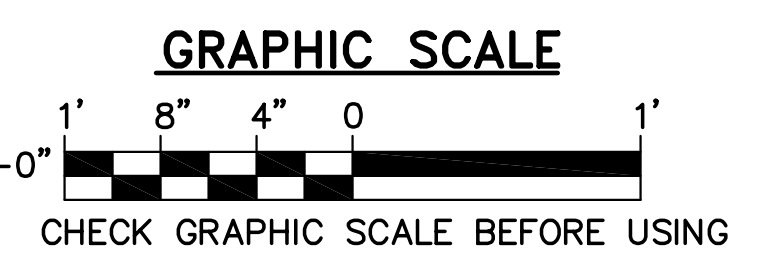
6 TYP SUSPENDED SLAB DETAIL AT DOOR OPNG
 SF501 SCALE: 1-1/2"=1'-0"



7 W8x31 ADJACENT TO ELEV HOISTWAY DETAIL
 SF501 SCALE: 1-1/2"=1'-0"



8 TYP ROOF DECK OVERHANG DETAIL
 SF501 SCALE: 1-1/2"=1'-0"



25 Apr 2016 2:13pm
 C:\office\21602.06-SF501.dwg