

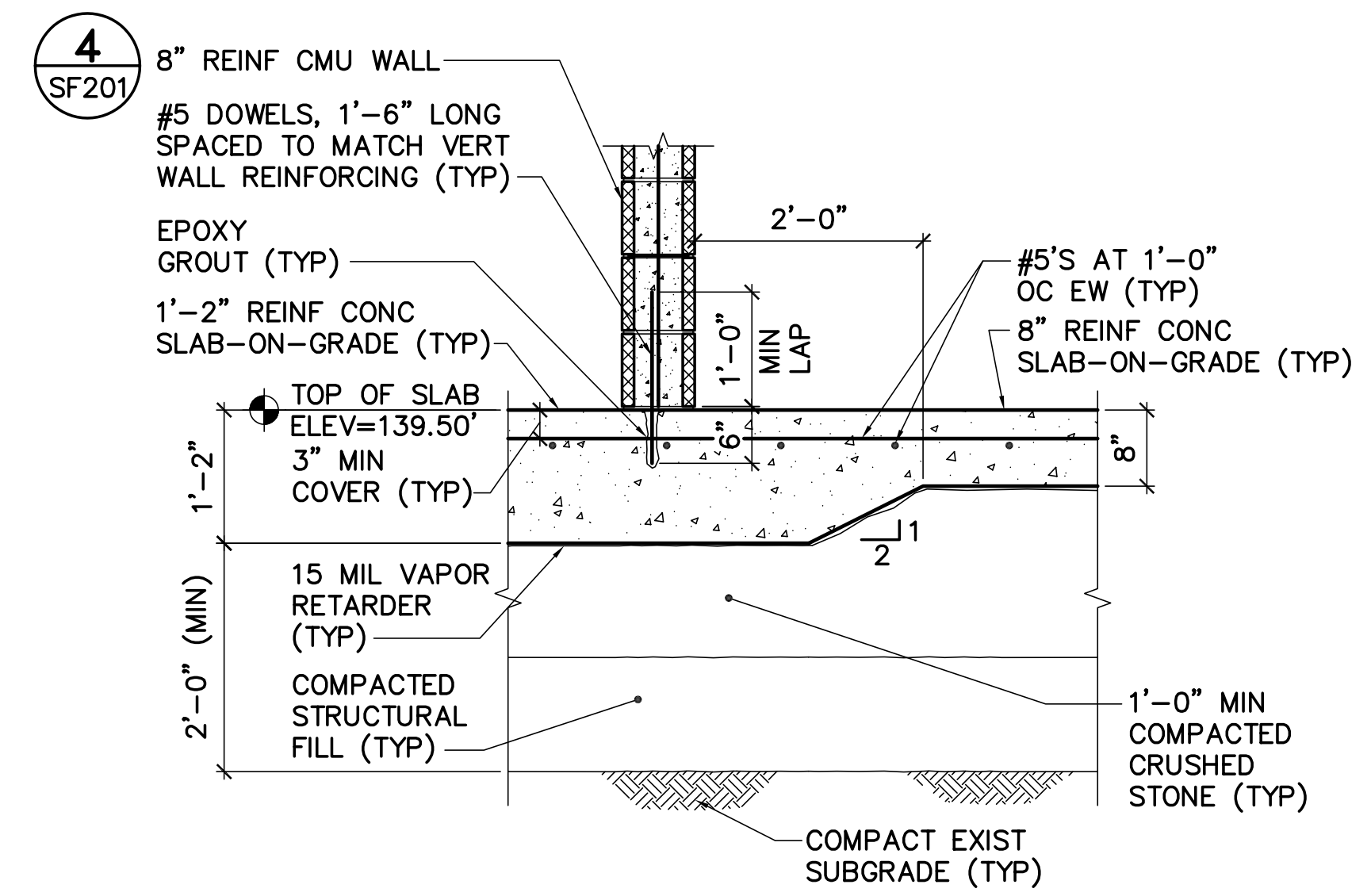
DESIGNED BY: WFG
 DRAWN BY: MJC
 CHECKED BY: DNIM
 PROJECT: 21602.06

**REICHE ELEMENTARY SCHOOL
 PORTLAND SCHOOL DEPARTMENT**

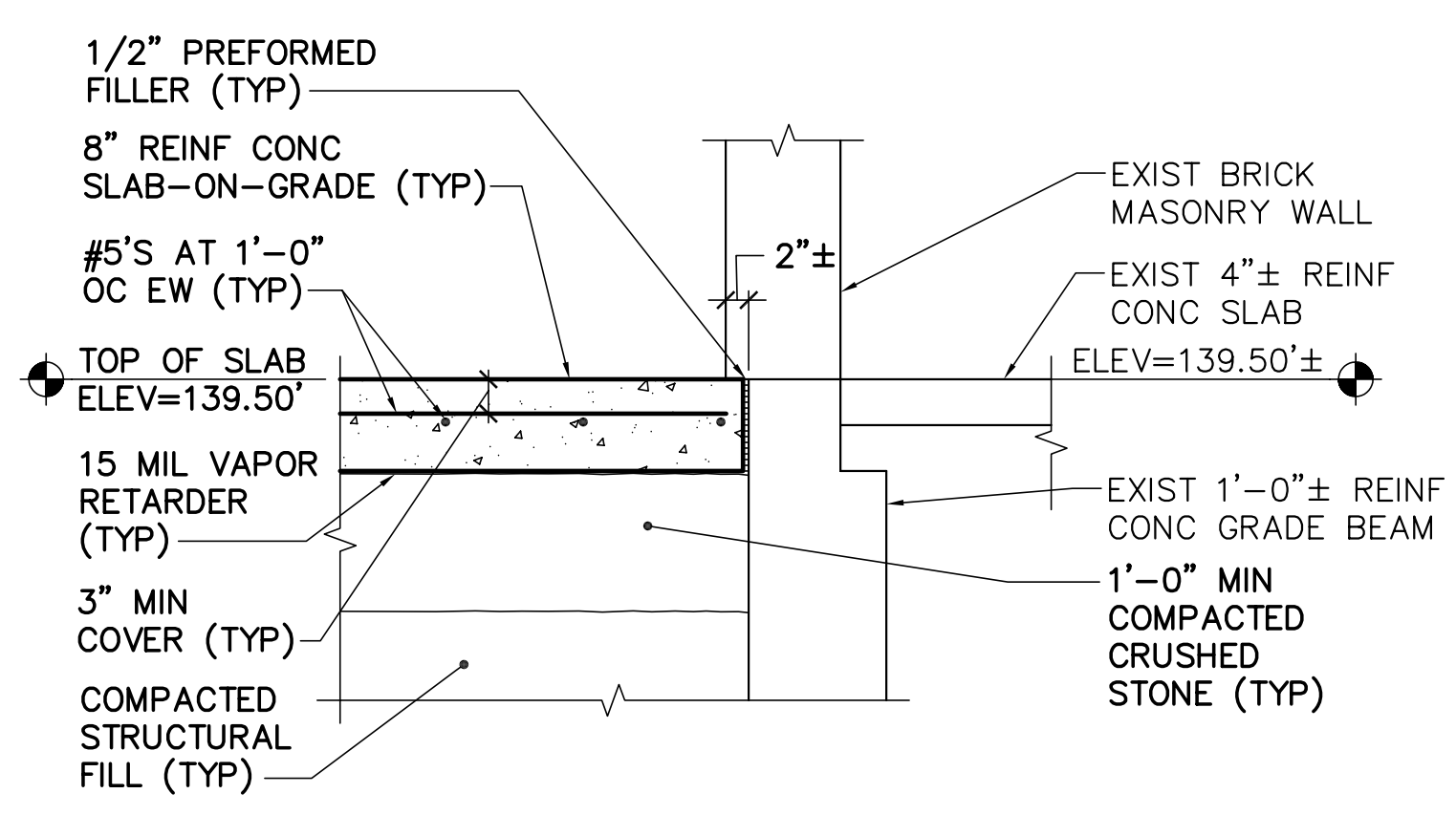
**REICHE ELEMENTARY
 ELEVATOR ADDITION**
 166 Brackett Street
 Portland, ME 04102

**FOUNDATION
 DETAILS 2**

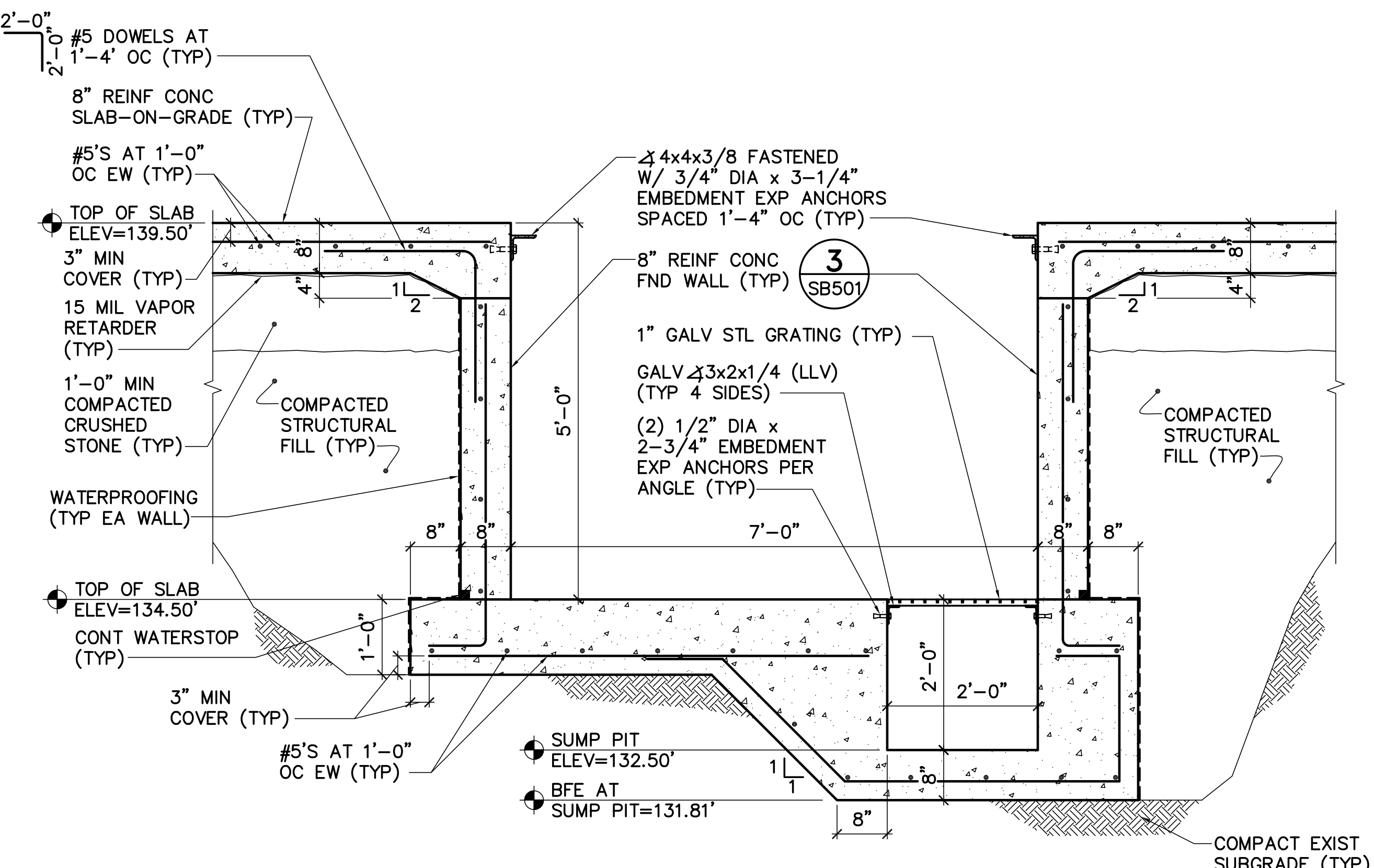
SCALE: AS NOTED
 DATE: 04-26-2016
 DWG.: **SB502**
 SHEET: **10** OF **40**



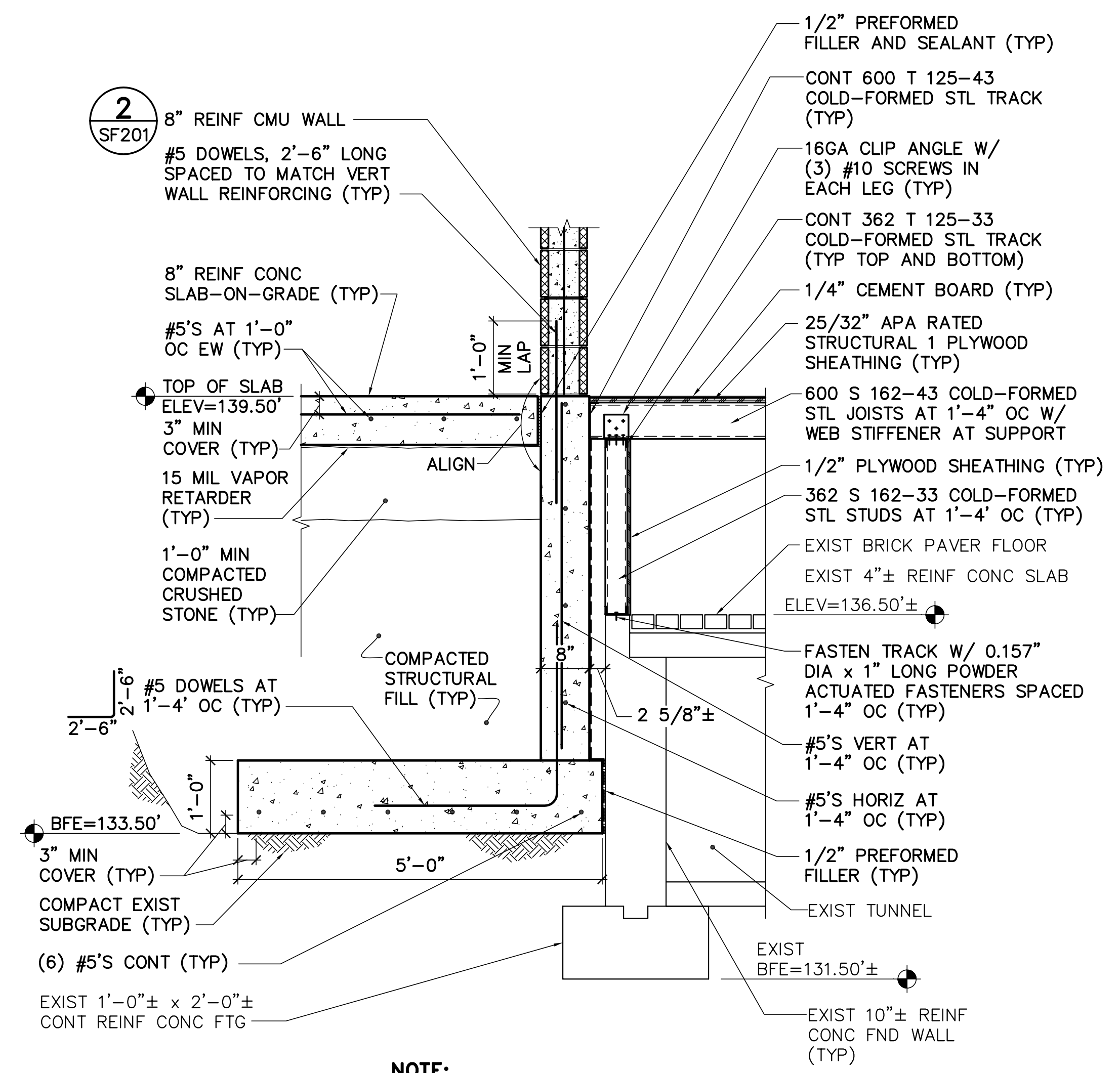
1 TYP SLAB TRANSITION DETAIL
 SB101/SB502 SCALE: 3/4"=1'-0"



2 TYP 8" SLAB-ON-GRADE DETAIL
 SB101/SB502 SCALE: 3/4"=1'-0"

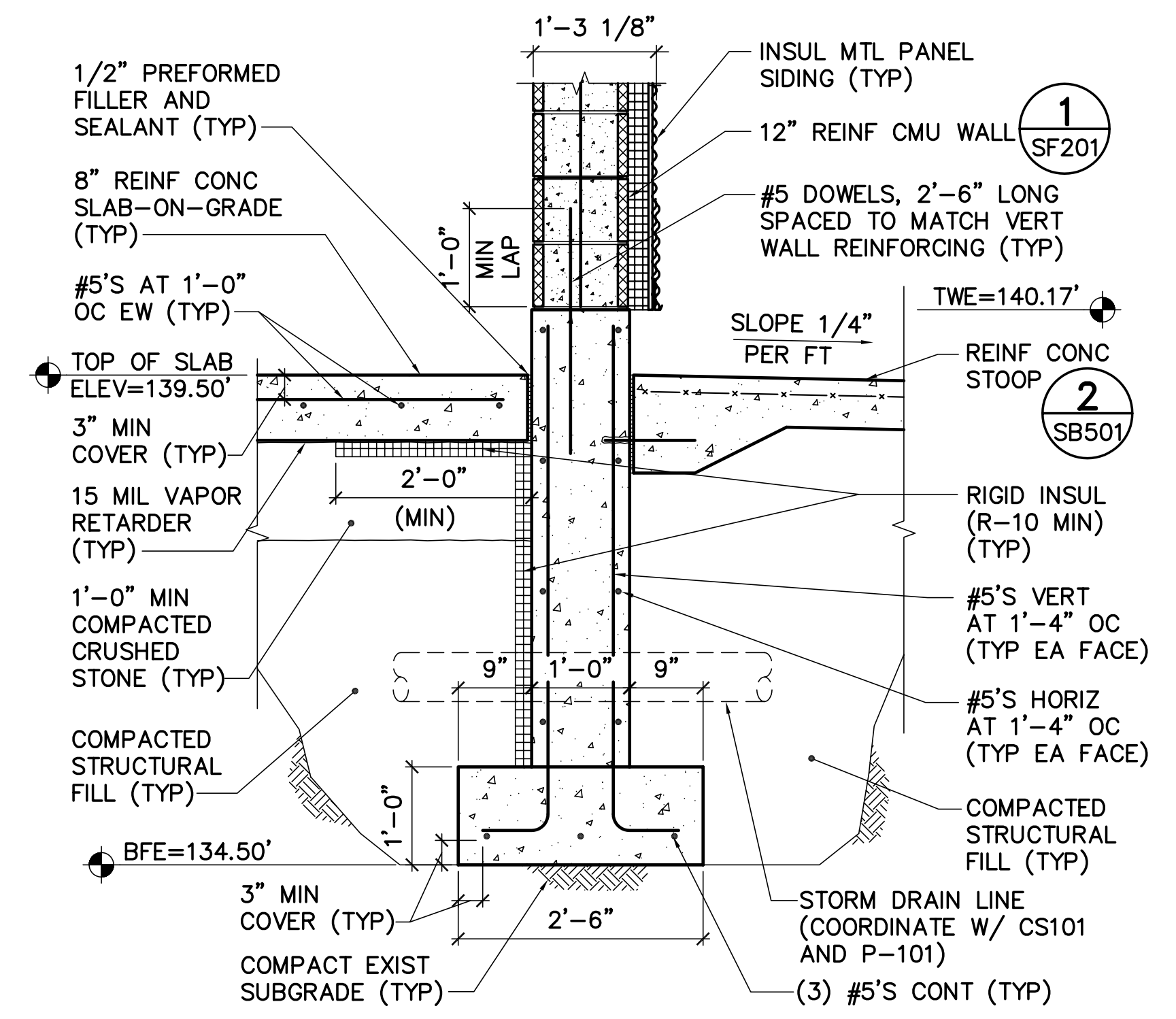


3 ELEV PIT/SUMP PIT DETAIL
 SB101/SB502 SCALE: 3/4"=1'-0"

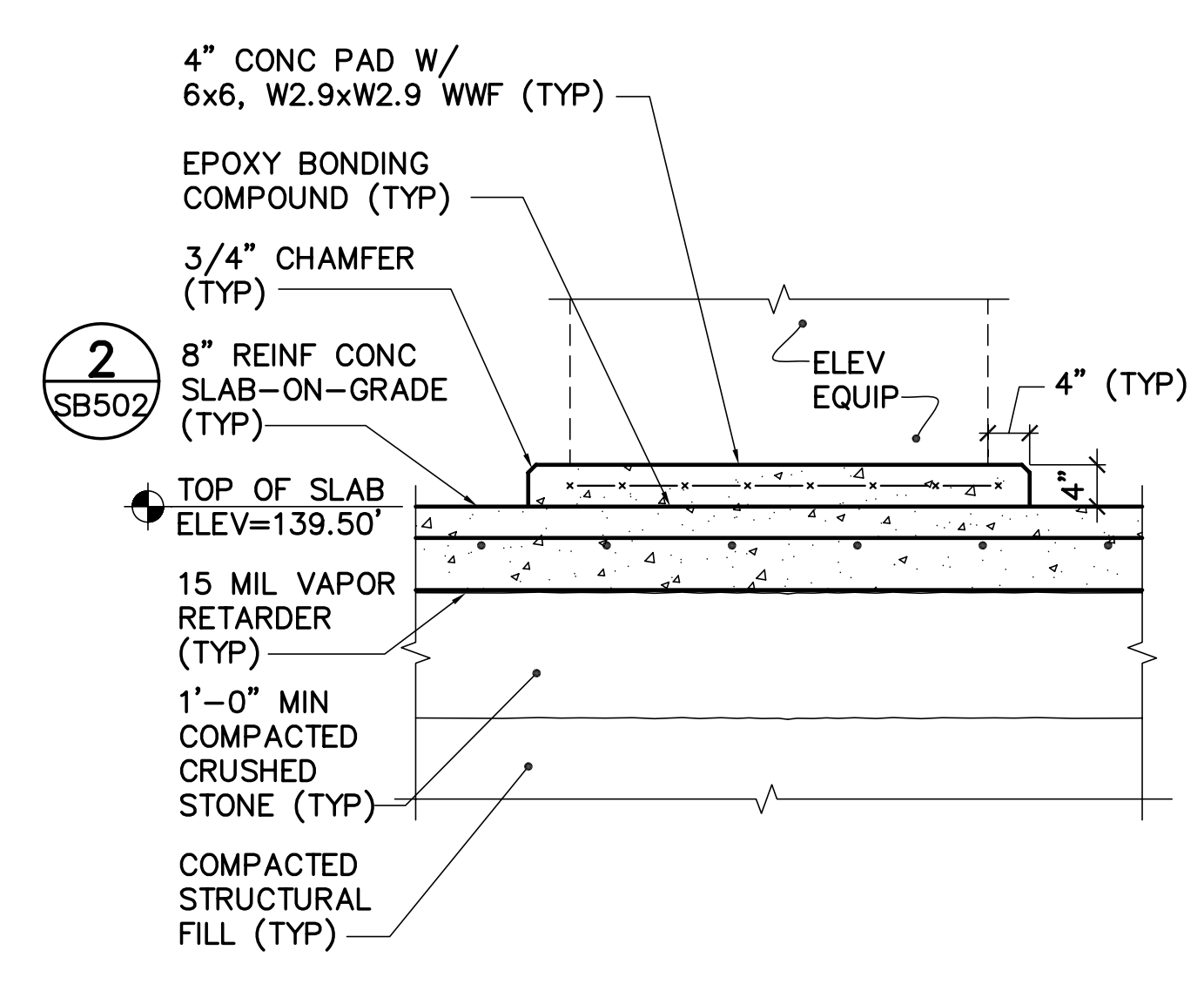


NOTE:
 PLYWOOD SHEATHING SHALL BE
 FIRE-RETARDANT TREATED.

4 8" FND WALL SECTION AT STAIRWELL
 SB101_SF401/SB502 SCALE: 3/4"=1'-0"



5 TYP 12" FND WALL SECTION
 SB101/SB502 SCALE: 3/4"=1'-0"



6 TYP HOUSEKEEPING PAD DETAIL
 SB101/SB502 SCALE: 3/4"=1'-0"

