

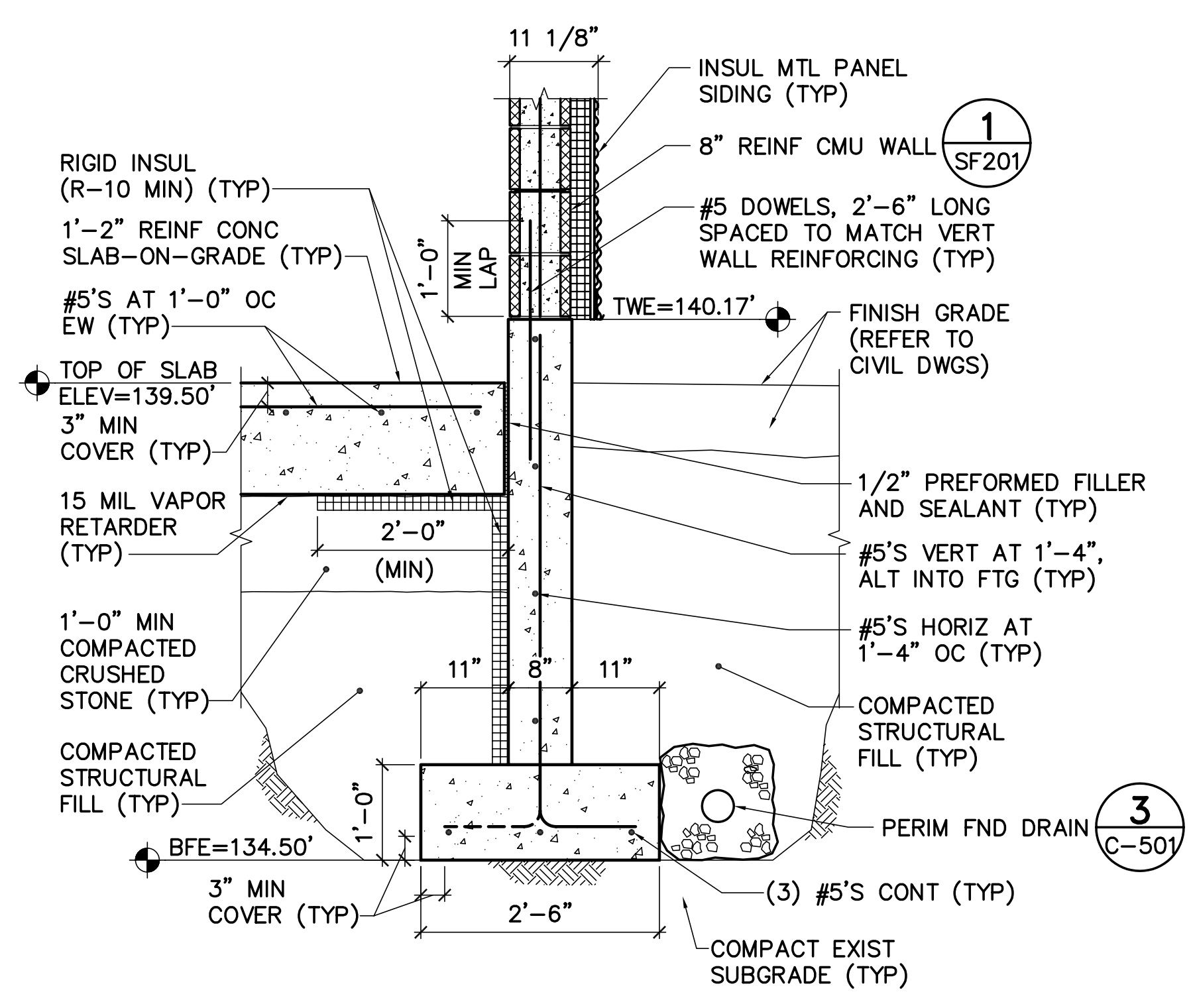
DESIGNED BY: WFG
 DRAWN BY: MJC
 CHECKED BY: DNM
 PROJECT: 21602.06

REICHE ELEMENTARY SCHOOL
 PORTLAND SCHOOL DEPARTMENT

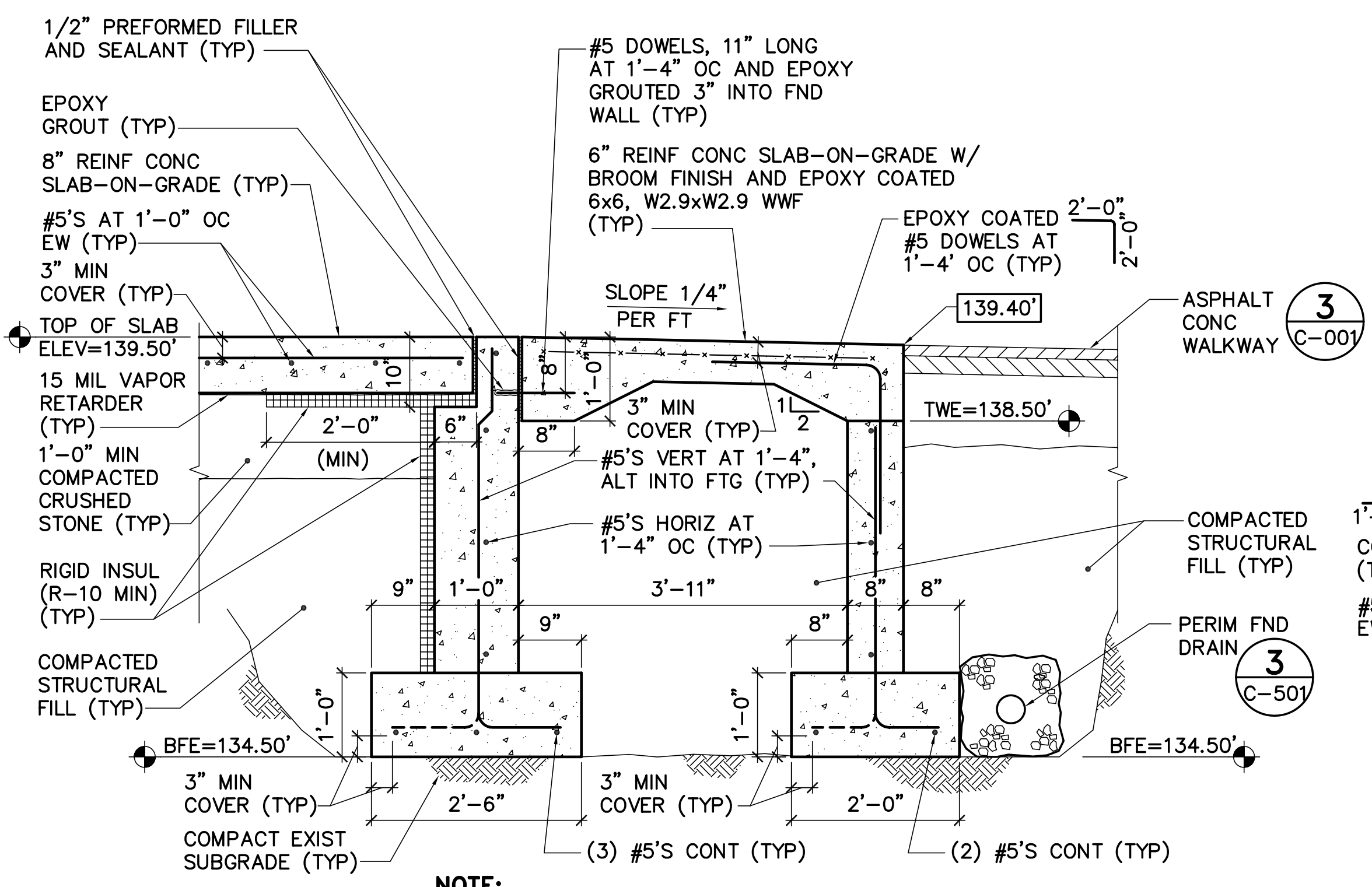
REICHE ELEMENTARY
 ELEVATOR ADDITION
 166 Brackett Street
 Portland, ME 04102

FOUNDATION
 DETAILS 1

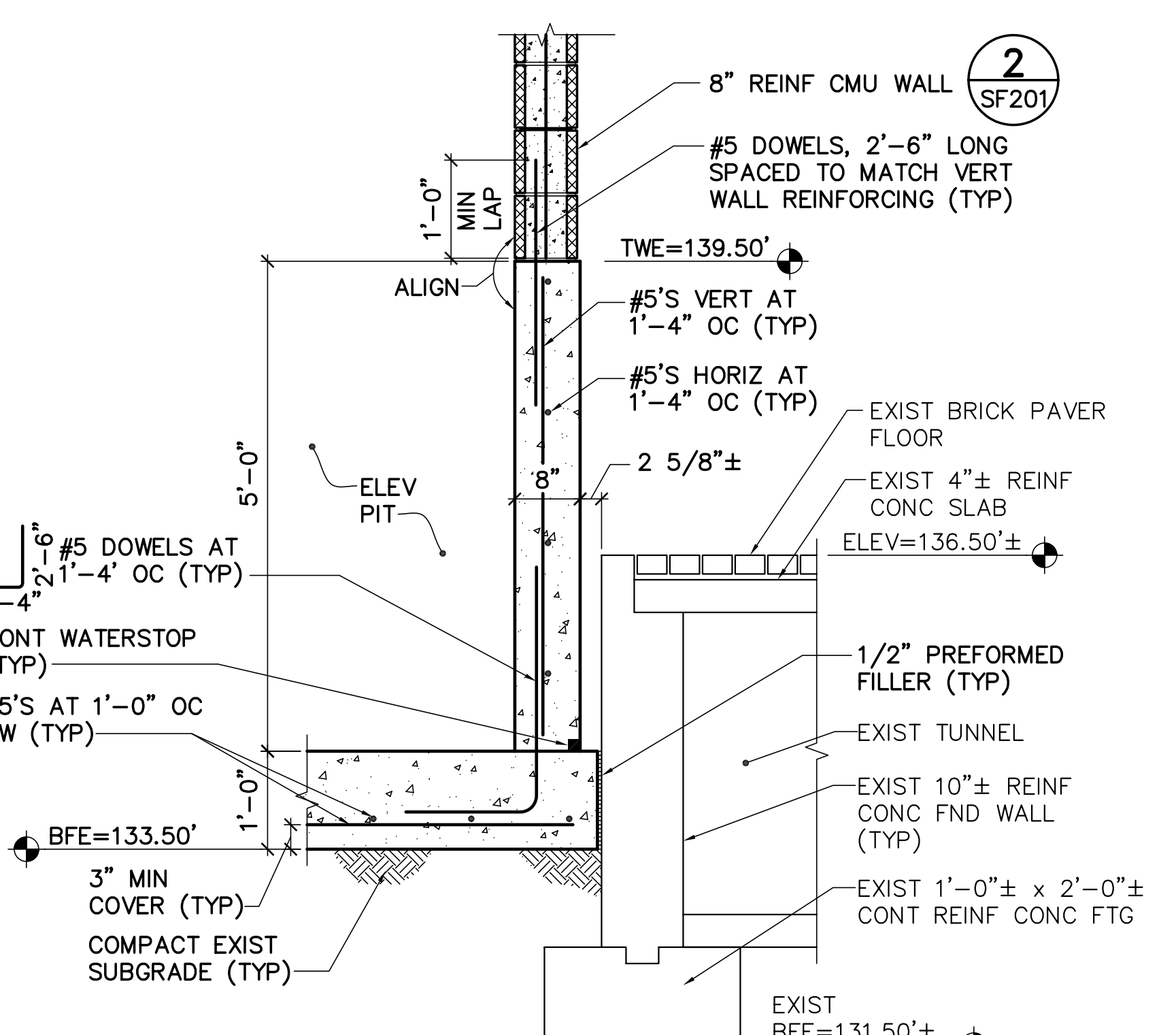
SCALE: AS NOTED
 DATE: 04-26-2016
 DWG.: SB501
 SHEET: 9 OF 40



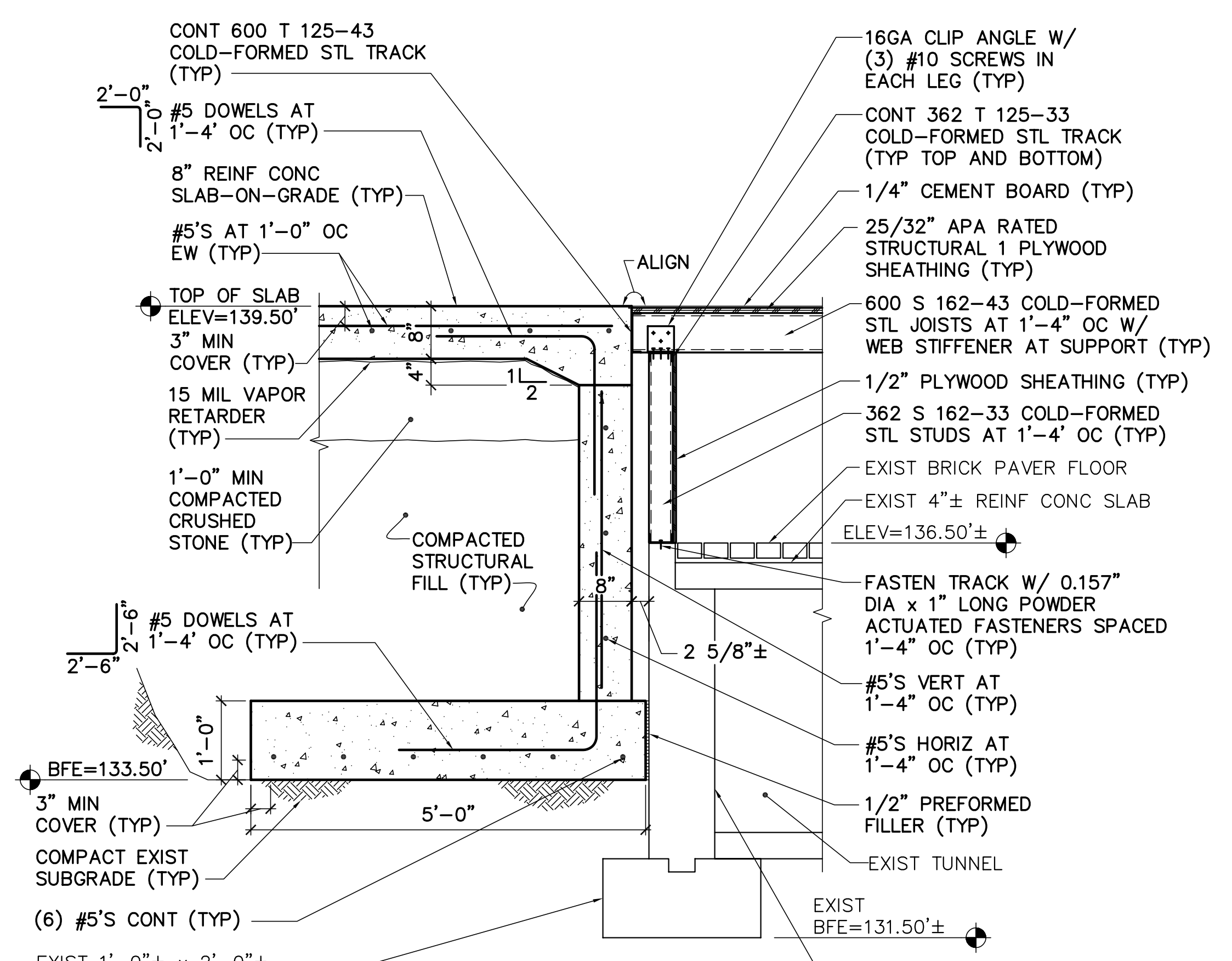
1 TYP 8" FND WALL SECTION
 SB501 SCALE: 3/4"=1'-0"



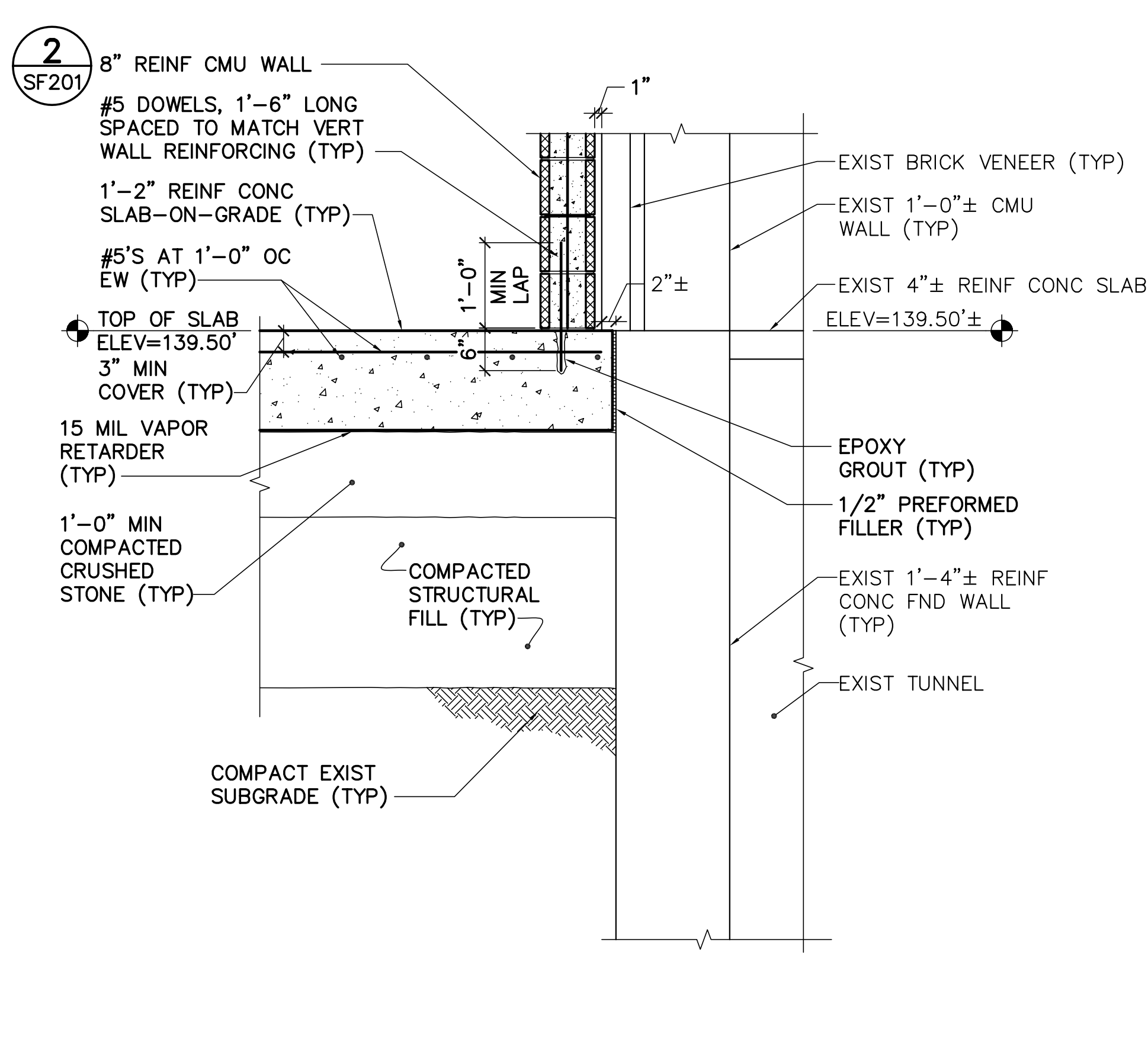
2 REINF CONC STOOP DETAIL
 CS101, SB101, SB502 SCALE: 3/4"=1'-0"



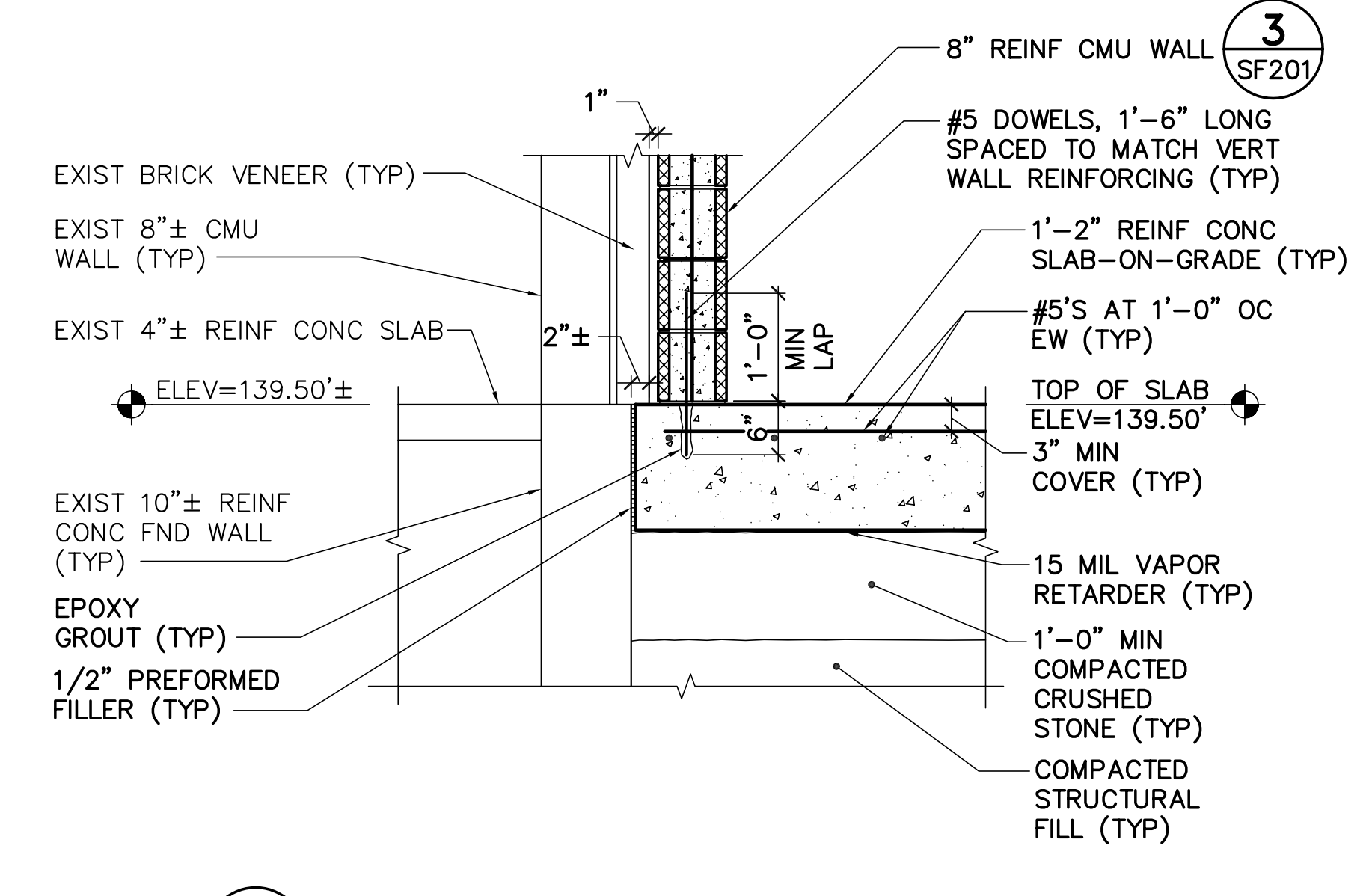
3 8" FND WALL SECTION AT ELEVATOR
 SB101, SB502, SF401 SCALE: 3/4"=1'-0"



4 8" FND WALL SECTION AT CORRIDOR OPENING
 SB101, SF401, SF503 SCALE: 3/4"=1'-0"



5 SLAB SUPPORT SECTION AT STAIRWELL
 SB101 SCALE: 3/4"=1'-0"



6 TYP SLAB SUPPORTED CMU WALL DETAIL
 SB101 SCALE: 3/4"=1'-0"

NOTE: PLYWOOD SHEATHING SHALL BE FIRE-RETARDANT TREATED.

NOTE: VERIFY STOOP SPOT GRADES WITH SHEET CS101.

