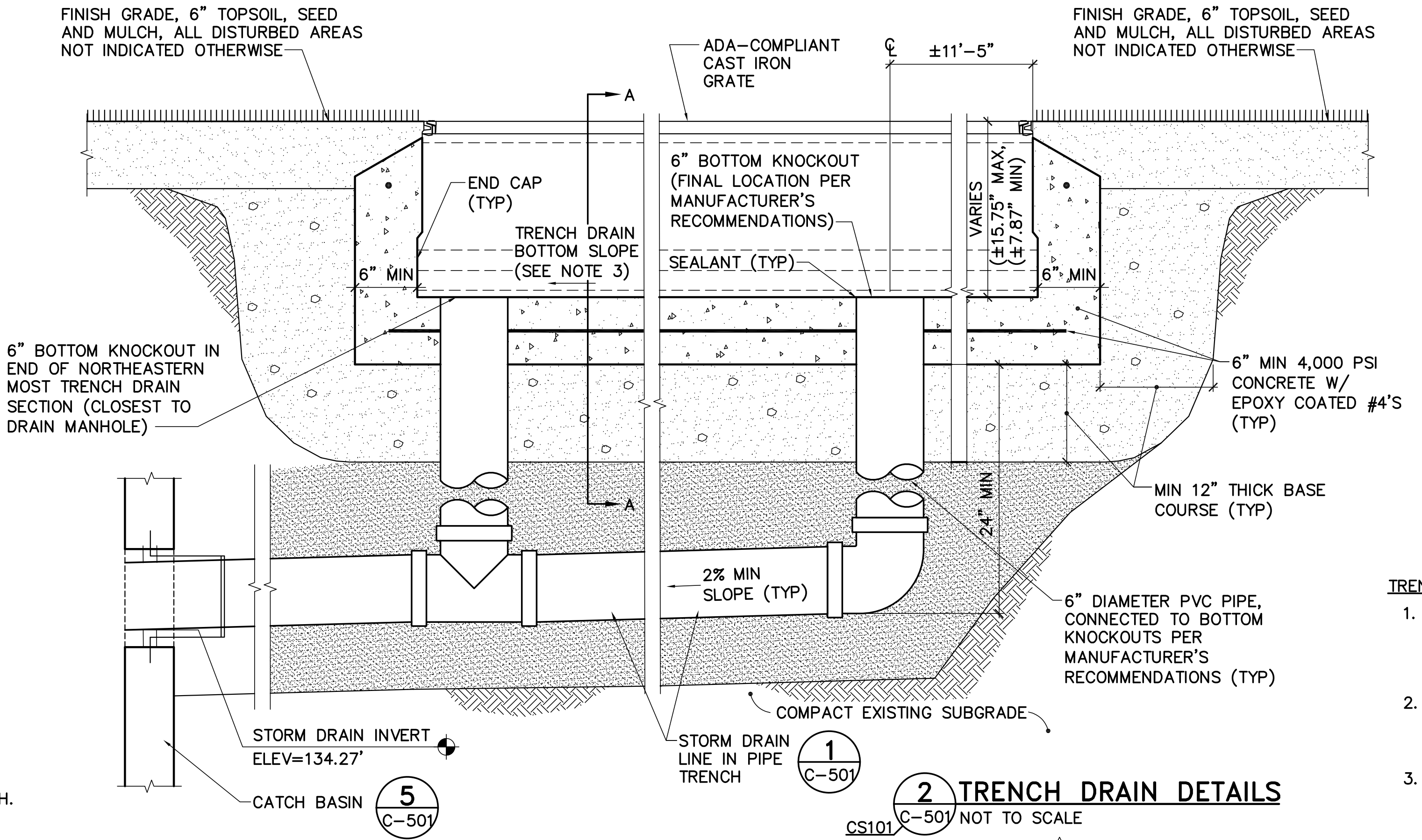


- PIPE TRENCH NOTES:**
- PIPE BEDDING SHALL BE ASTM D 2321, CLASS 1B OR II BEDDING, EXCEPT WITH 100 PERCENT PASSING A 1" SIEVE AND GREATER THAN 75 PERCENT PASSING A NO. 4 SIEVE, EXCEPT AS FOLLOWS:
    - STORM DRAINAGE PIPING: ASTM D 2321, CLASS 1B OR II BEDDING, EXCEPT WITH 100 PERCENT PASSING A 1" SIEVE.
  - INSTALL THERMOPLASTIC (PVC, HDPE) GRAVITY PIPING IN ACCORDANCE WITH ASTM D 2321. SEE ALSO PIPE TRENCH BEDDING NOTES.
  - ALL EXCAVATION WORK SHALL COMPLY WITH OSHA STANDARDS. TRENCH SIDEWALLS SHALL BE VERTICAL FROM TRENCH BOTTOM TO 12" ABOVE TOP OF PIPE.
  - PROVIDE A MINIMUM OF 6" VERTICAL CLEARANCE BETWEEN CROSSING PIPES.
  - PROVIDE 6" MINIMUM SEPARATION BETWEEN PIPES RUN IN THE SAME TRENCH.

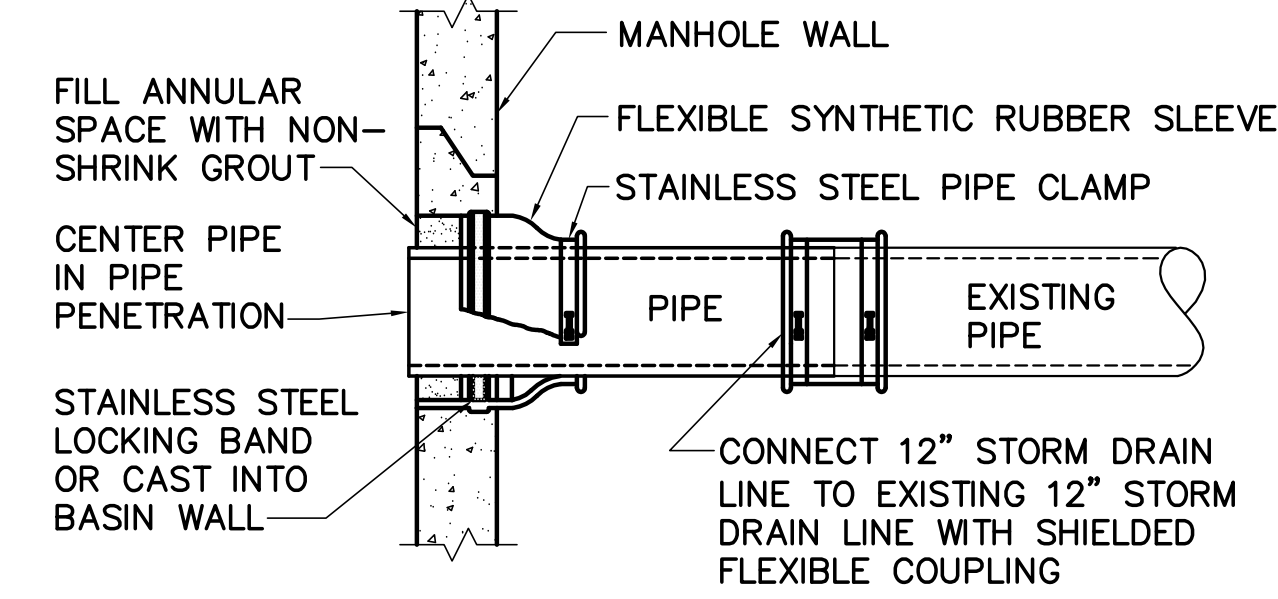
**1 PIPE TRENCH DETAIL**

CS101.C-501 NOT TO SCALE



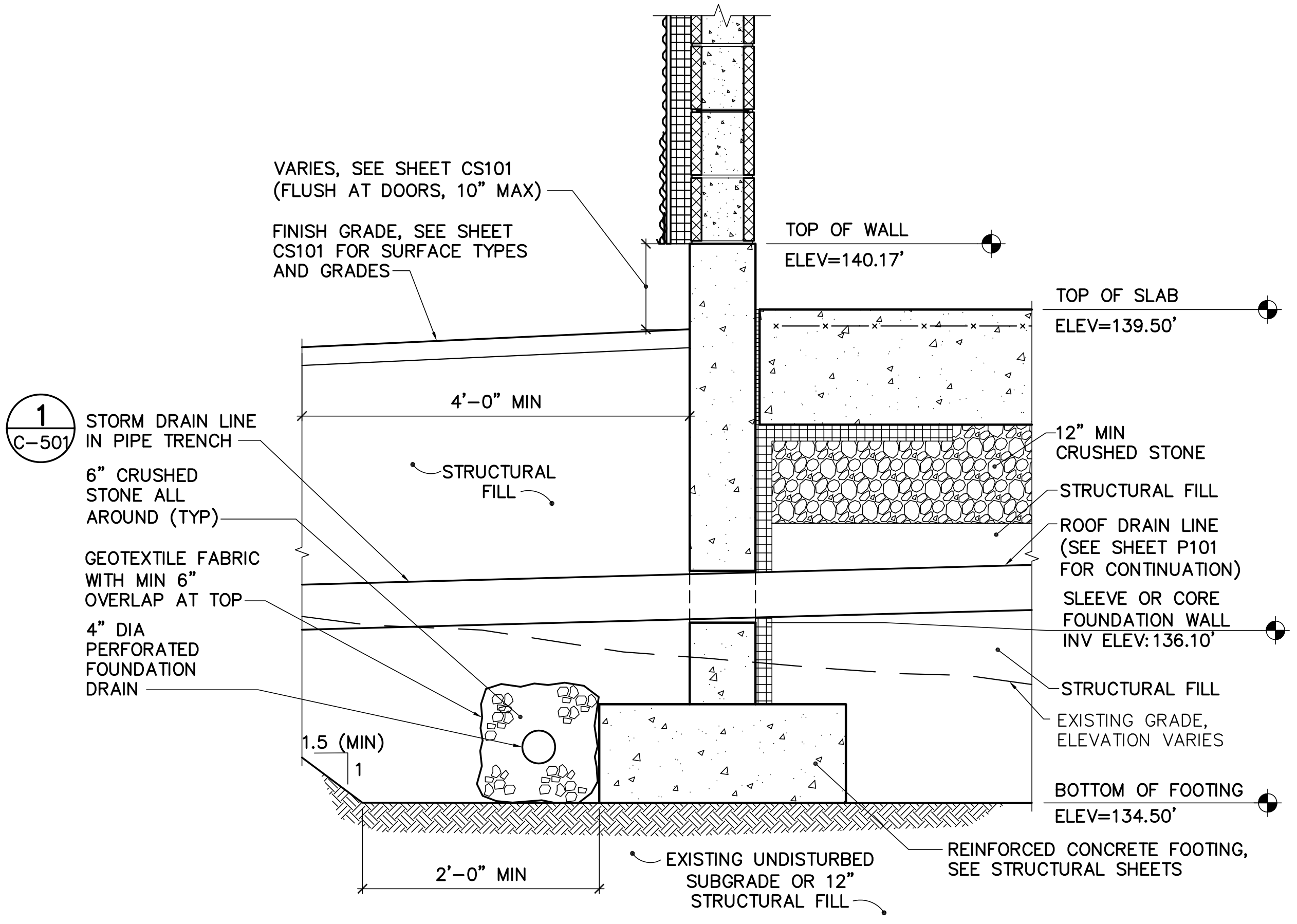
**2 TRENCH DRAIN DETAILS**

CS101.C-501 NOT TO SCALE



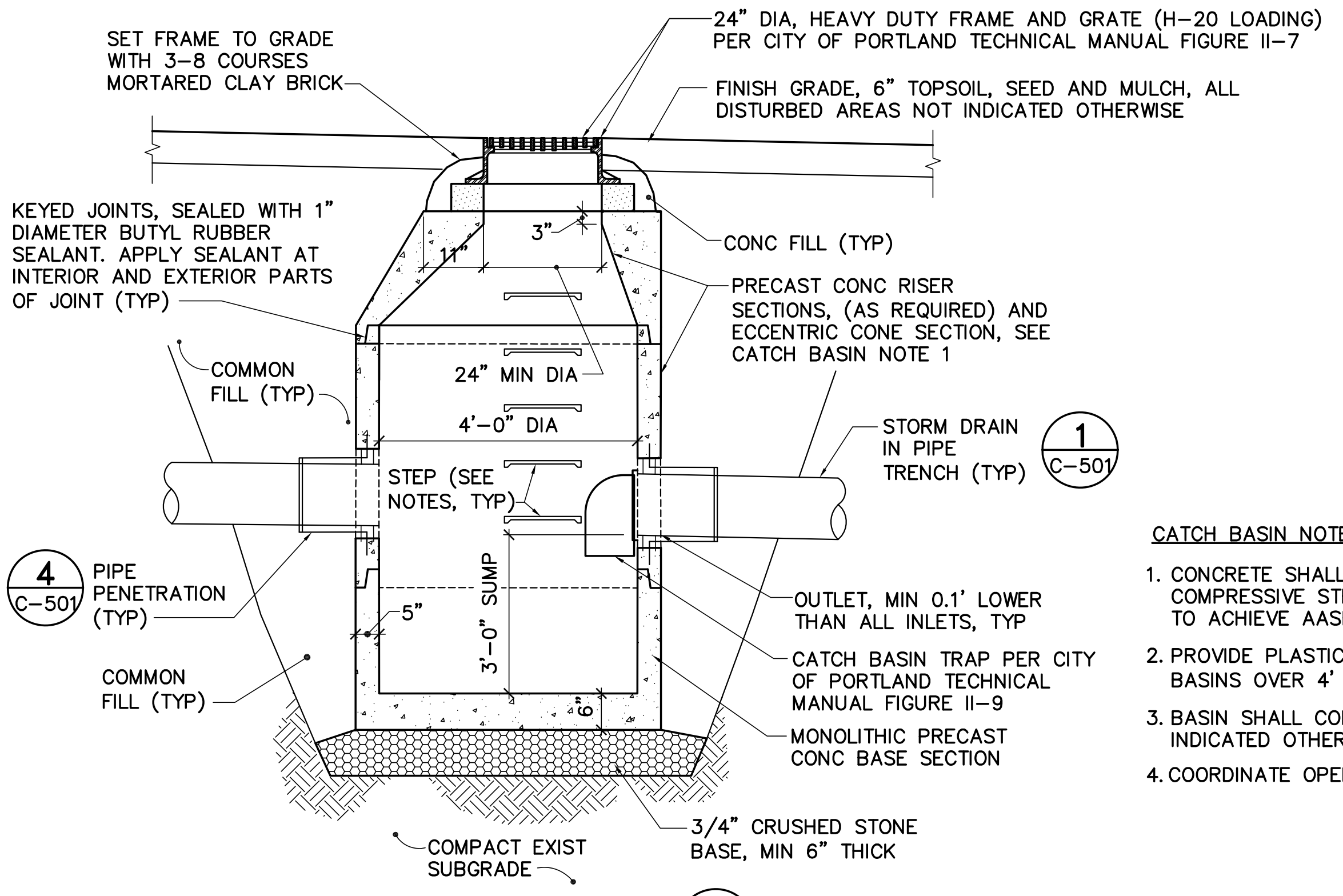
**4 TYP PIPE PENETRATION AND CONNECTION DETAIL**

CS101.C-501 NOT TO SCALE



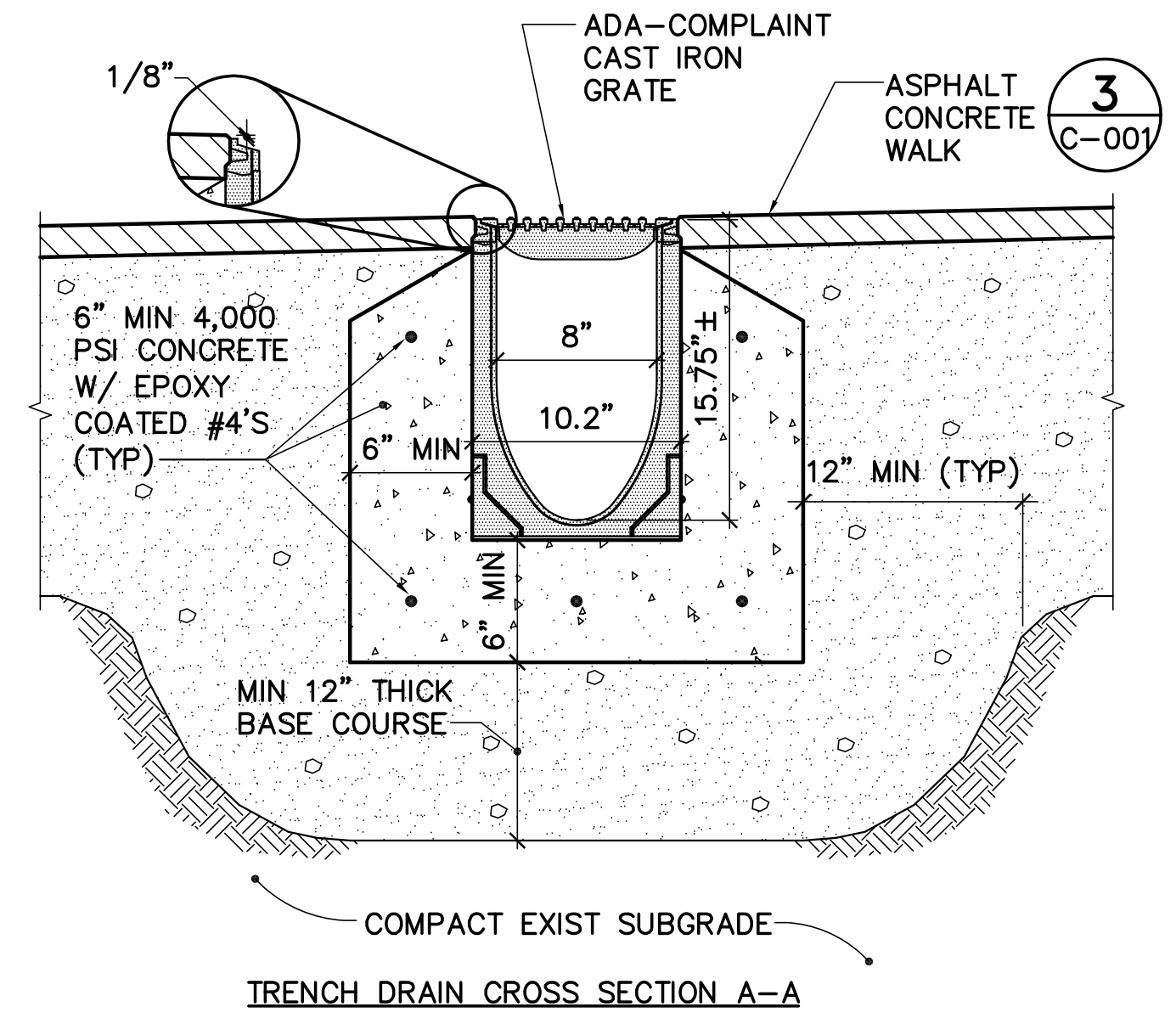
**3 TYP FOUNDATION PREPARATION AND DRAIN DETAIL**

CS101.SB502 NOT TO SCALE



**5 TYP CATCH BASIN DETAIL**

CS101.C-501 NOT TO SCALE



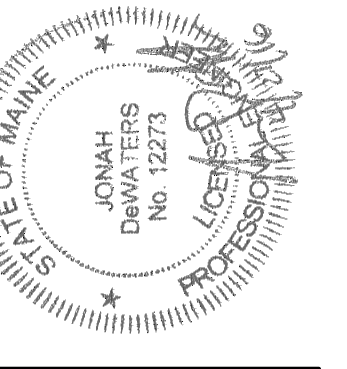
**TRENCH DRAIN CROSS SECTION A-A**

**TRENCH DRAIN NOTES:**

- BASIS OF DESIGN: POWERDRAIN S200K (LOAD CLASS B) BY ACO POLYMER PRODUCTS, INC WITH ADA-COMPLIANT LONGITUDINAL GRATE AND INTEGRALLY CAST-IN DUCTILE IRON EDGE RAIL.
- BOTTOM SLOPE AND OVERALL DEPTH OF TRENCH DRAIN SHALL BE IN ACCORDANCE WITH MANUFACTURER'S RECOMMENDATIONS.
- INSTALL IN ACCORDANCE WITH MANUFACTURER'S WRITTEN REQUIREMENTS.

**CATCH BASIN NOTES:**

- CONCRETE SHALL BE MIN 4,000 PSI 28 DAY COMPRESSIVE STRENGTH. PROVIDE REINFORCING TO ACHIEVE AASHTO H-20 LOAD RATING.
- PROVIDE PLASTIC STEPS AT 12" ON CENTER FOR BASINS OVER 4' DEEP.
- BASIN SHALL CONFORM TO ASTM C478, UNLESS INDICATED OTHERWISE.
- COORDINATE OPENINGS WITH PIPING PLAN.



DESIGNED BY: JSD  
 DRAWN BY: JLD  
 CHECKED BY:  
 PROJECT: 21602.06

REICHE ELEMENTARY SCHOOL  
 PORTLAND SCHOOL DEPARTMENT  
 353 Cumberland Avenue  
 Portland, ME 04102

REICHE ELEMENTARY  
 ELEVATOR ADDITION  
 166 Brackett Street  
 Portland, ME 04102

**SITE DETAILS**

SCALE: AS NOTED  
 DATE: 04-26-2016

DWG: **C-501**

SHEET: **4** OF **40**