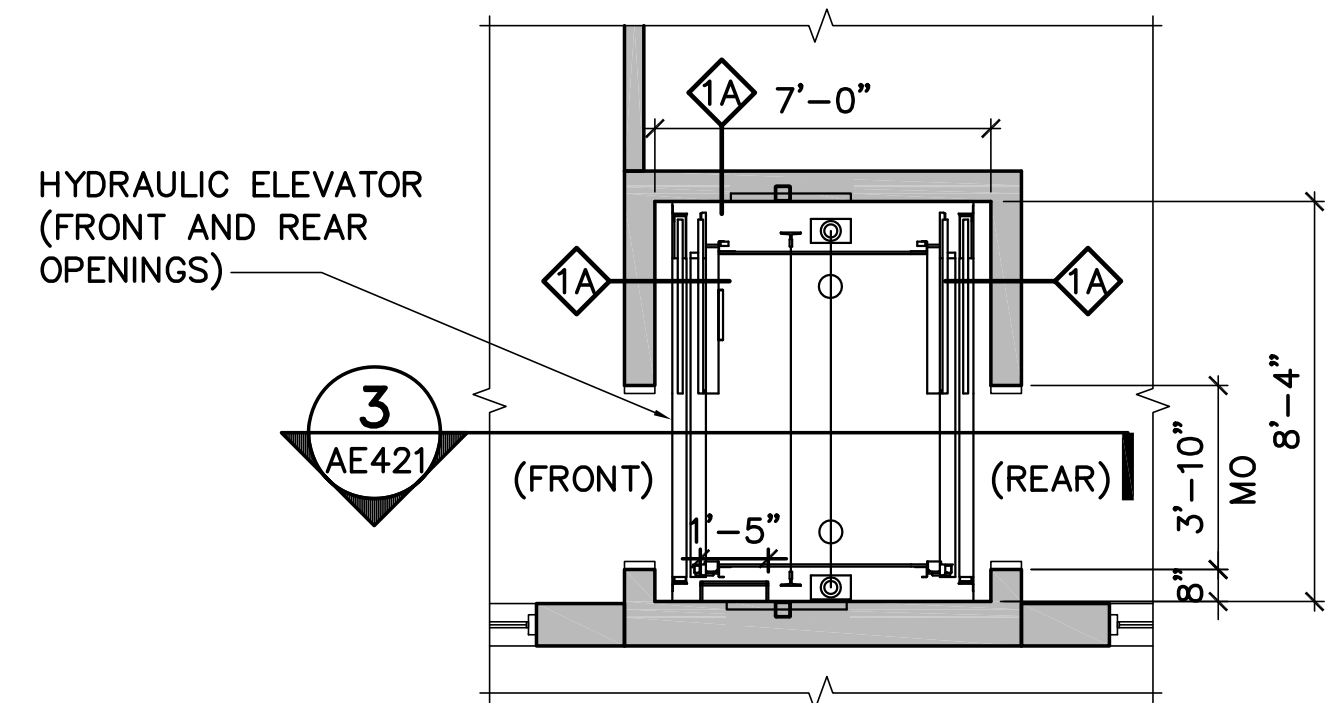
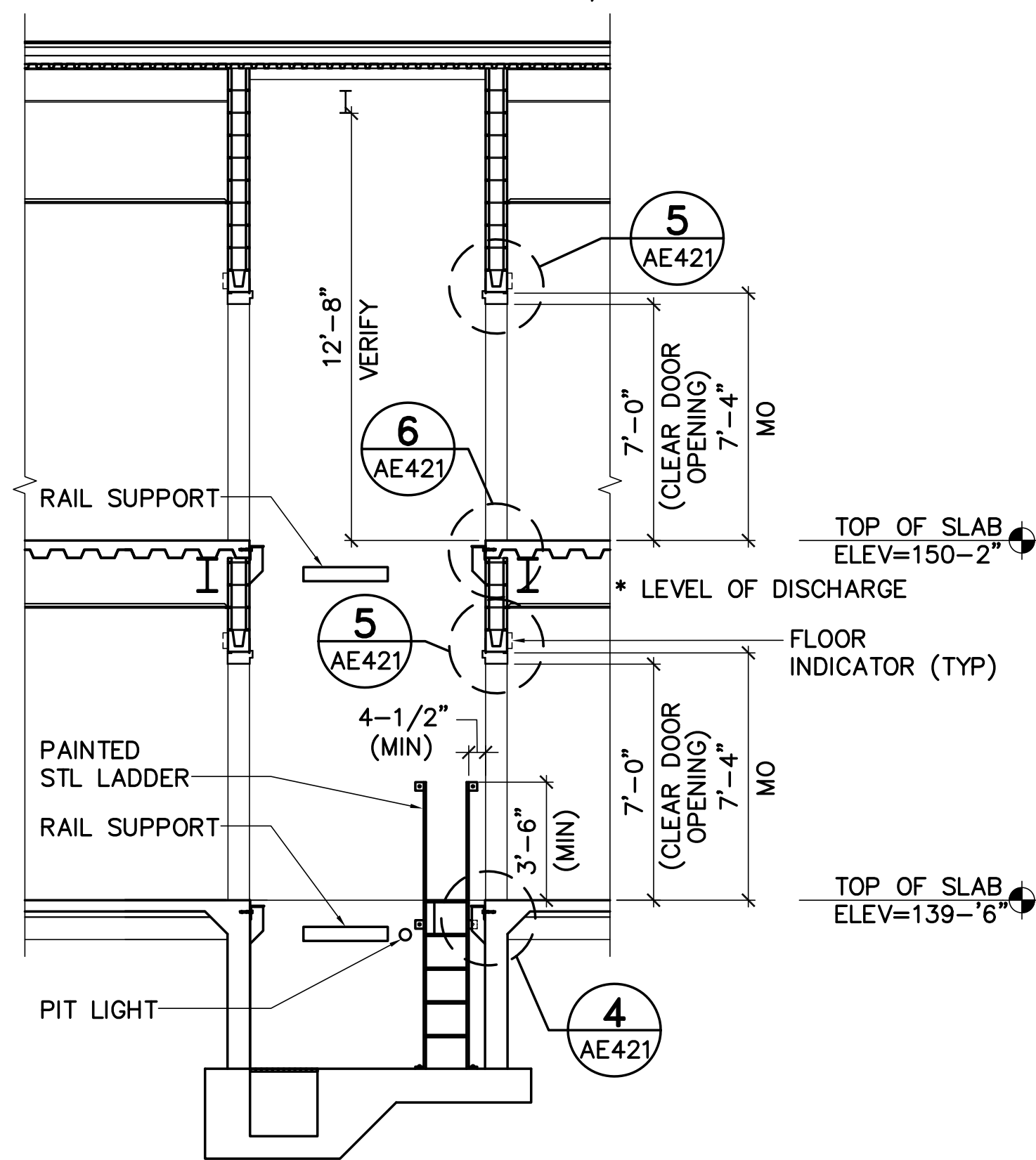


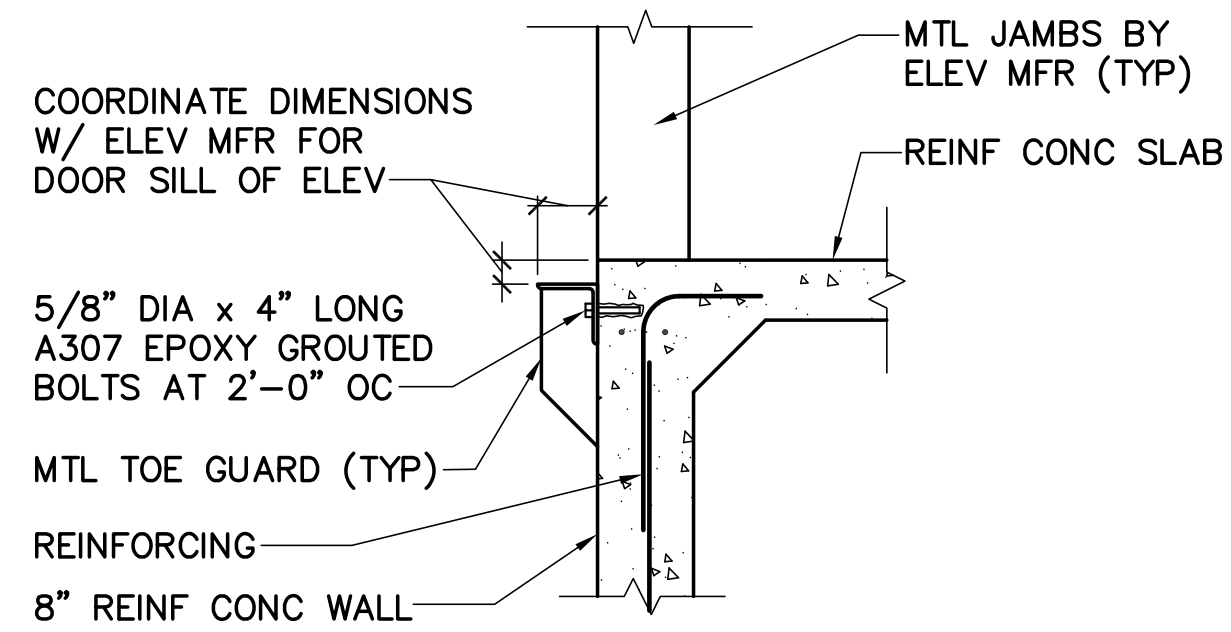
1 ELEVATOR FIRST FLOOR PLAN
 AE101/AE421 SCALE: 1/4"=1'-0"
 NOTE: PROVIDE FIRE PENETRATION SEALANT AT PIPING PENETRATION, SEE DETAIL 5/AE101



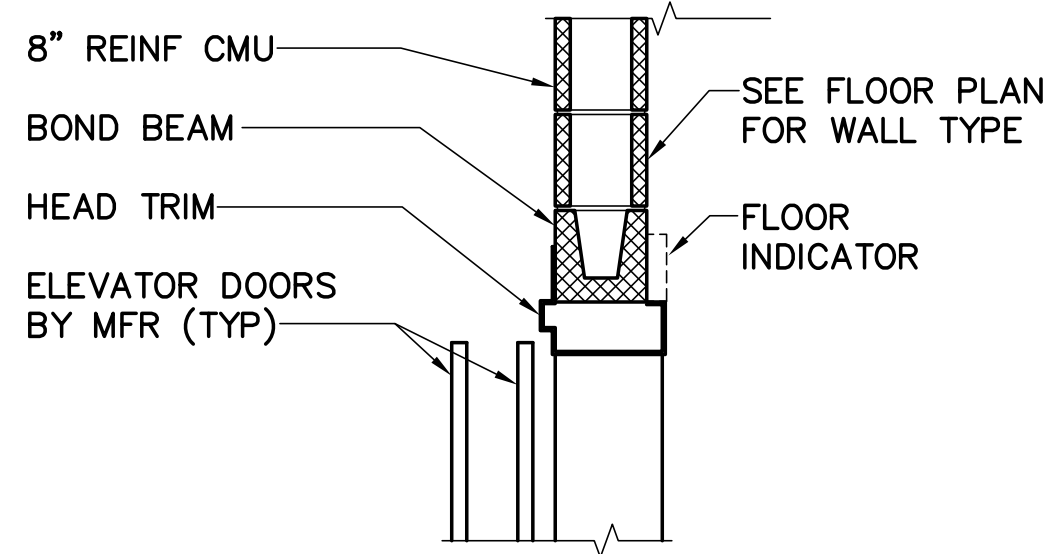
2 ELEVATOR SECOND FLOOR PLAN
 AE101/AE421 SCALE: 1/4"=1'-0"
 NOTE: PROVIDE FIRE PENETRATION SEALANT AT PIPING PENETRATION, SEE DETAIL 5/AE101



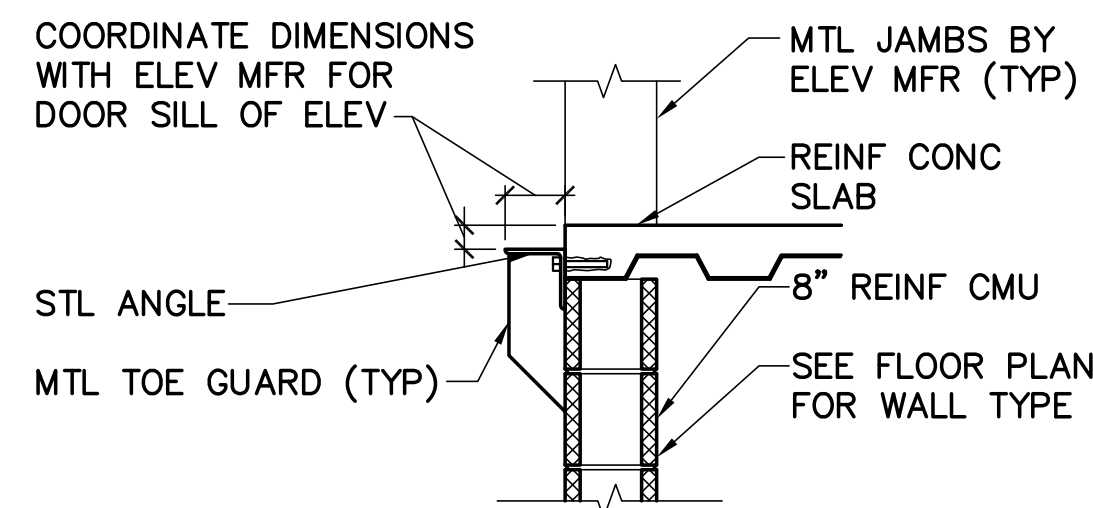
3 ELEVATOR SHAFT SECTION
 AE421/AE421 SCALE: 1/4"=1'-0"



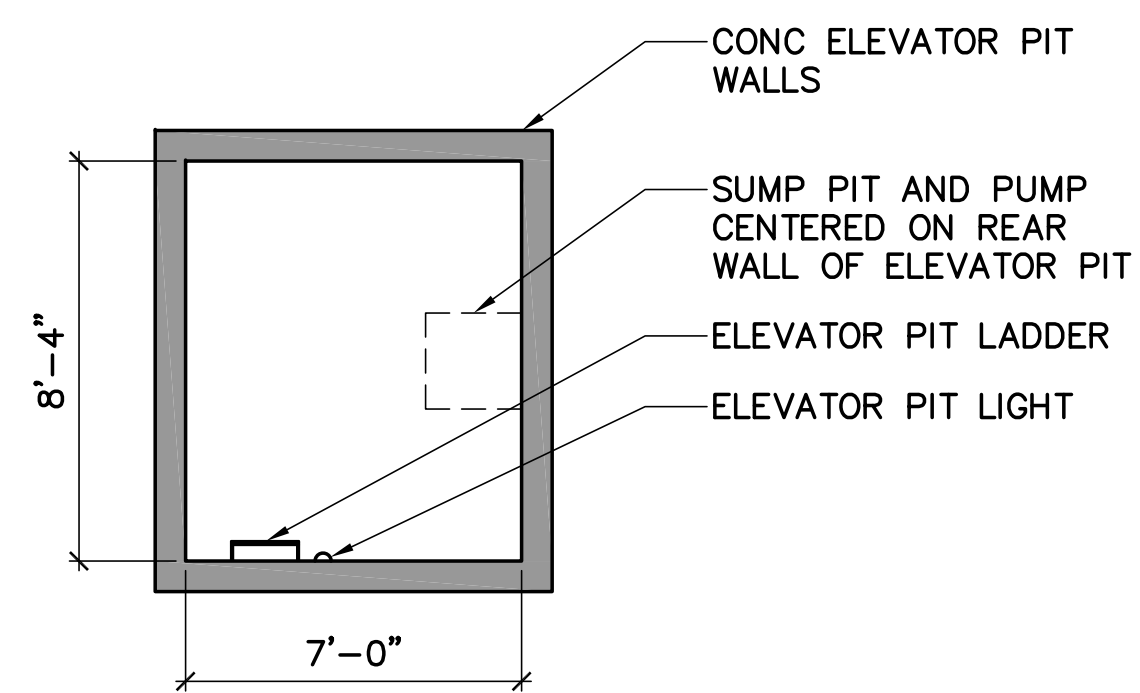
4 ELEVATOR SILL DETAIL
 AE421/AE421 SCALE: 3/4"=1'-0"



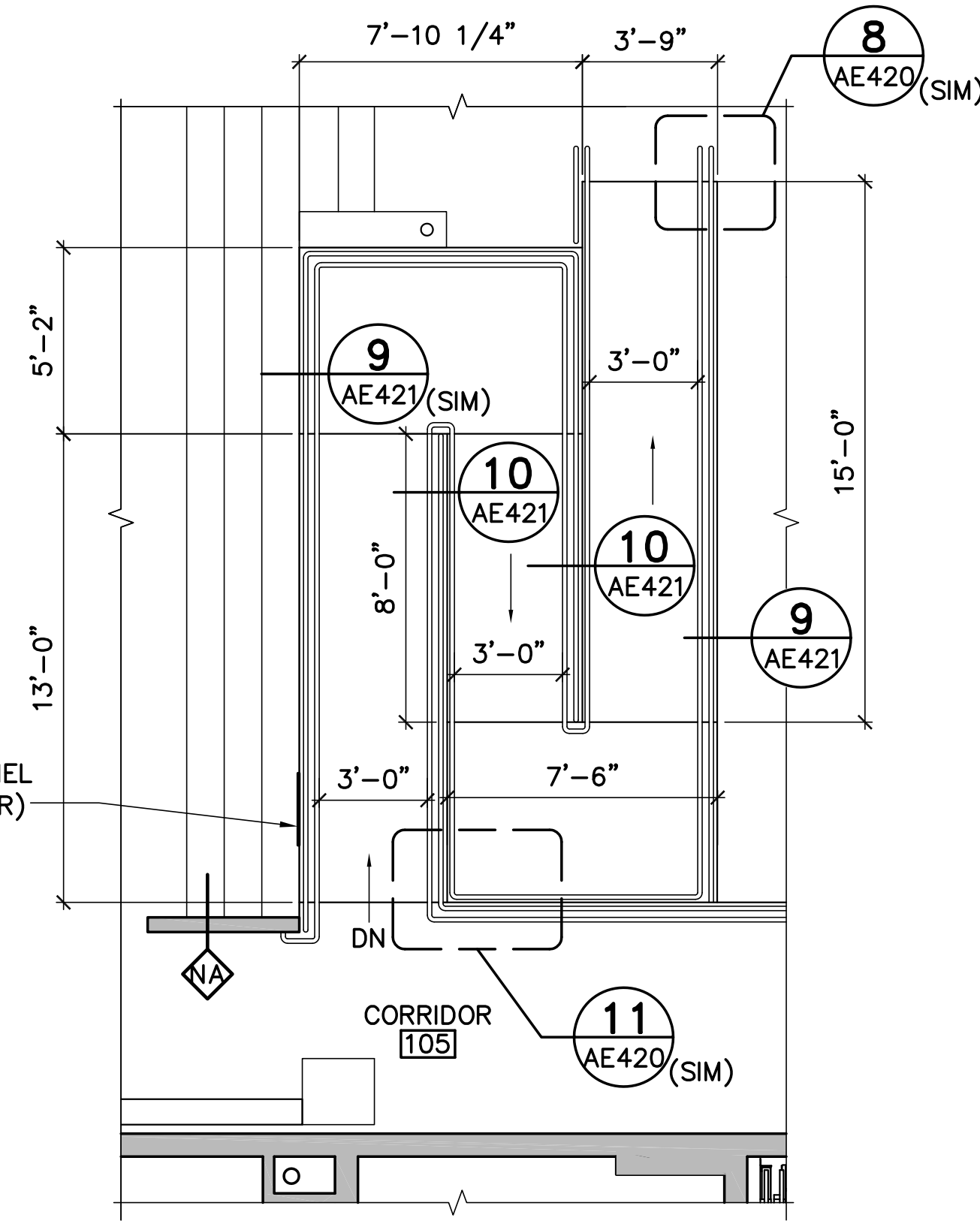
5 LINTEL DETAIL
 AE421/AE421 SCALE: 3/4"=1'-0"



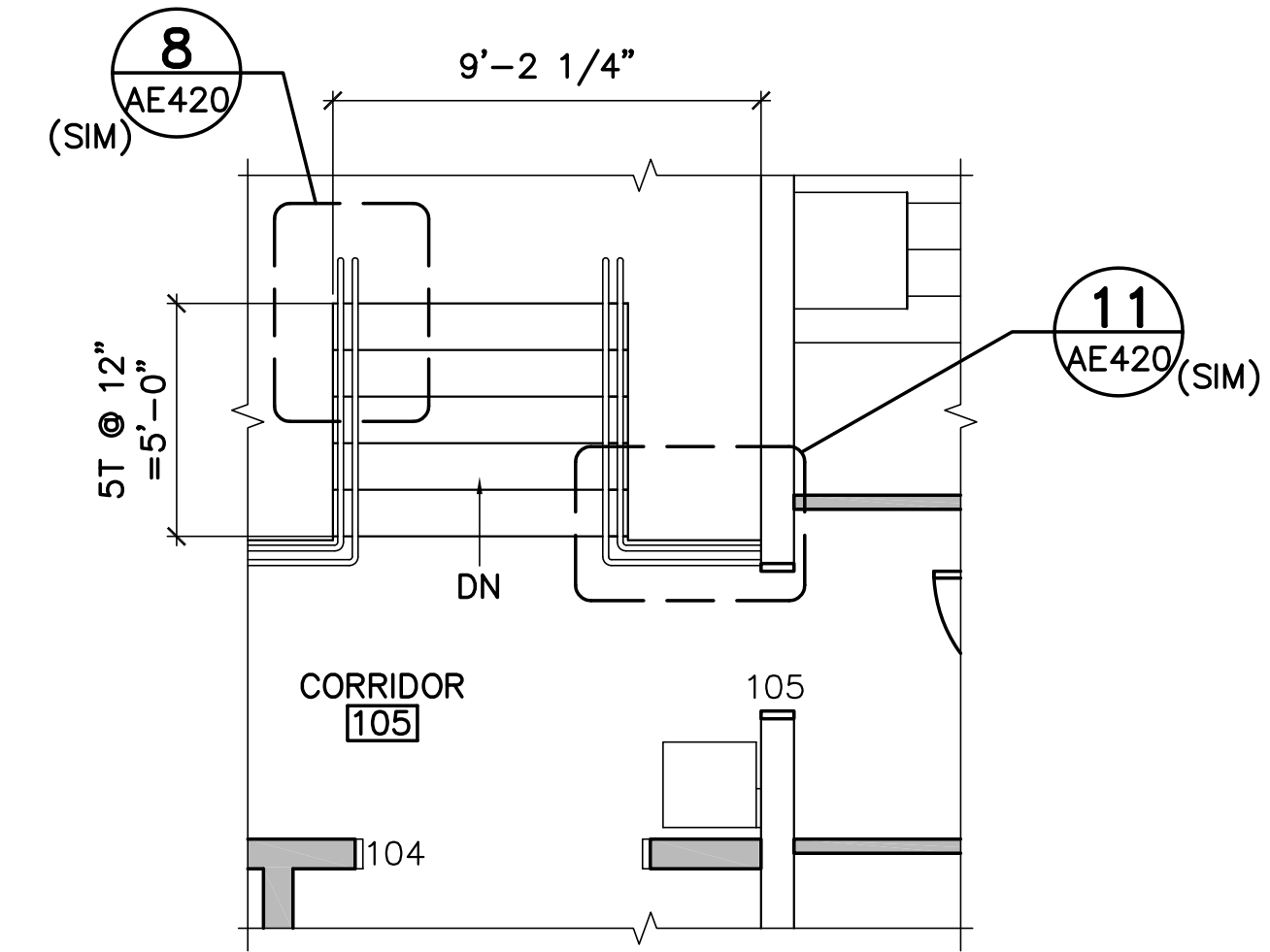
6 METAL TOE GUARD DETAIL
 AE421/AE421 SCALE: 3/4"=1'-0"



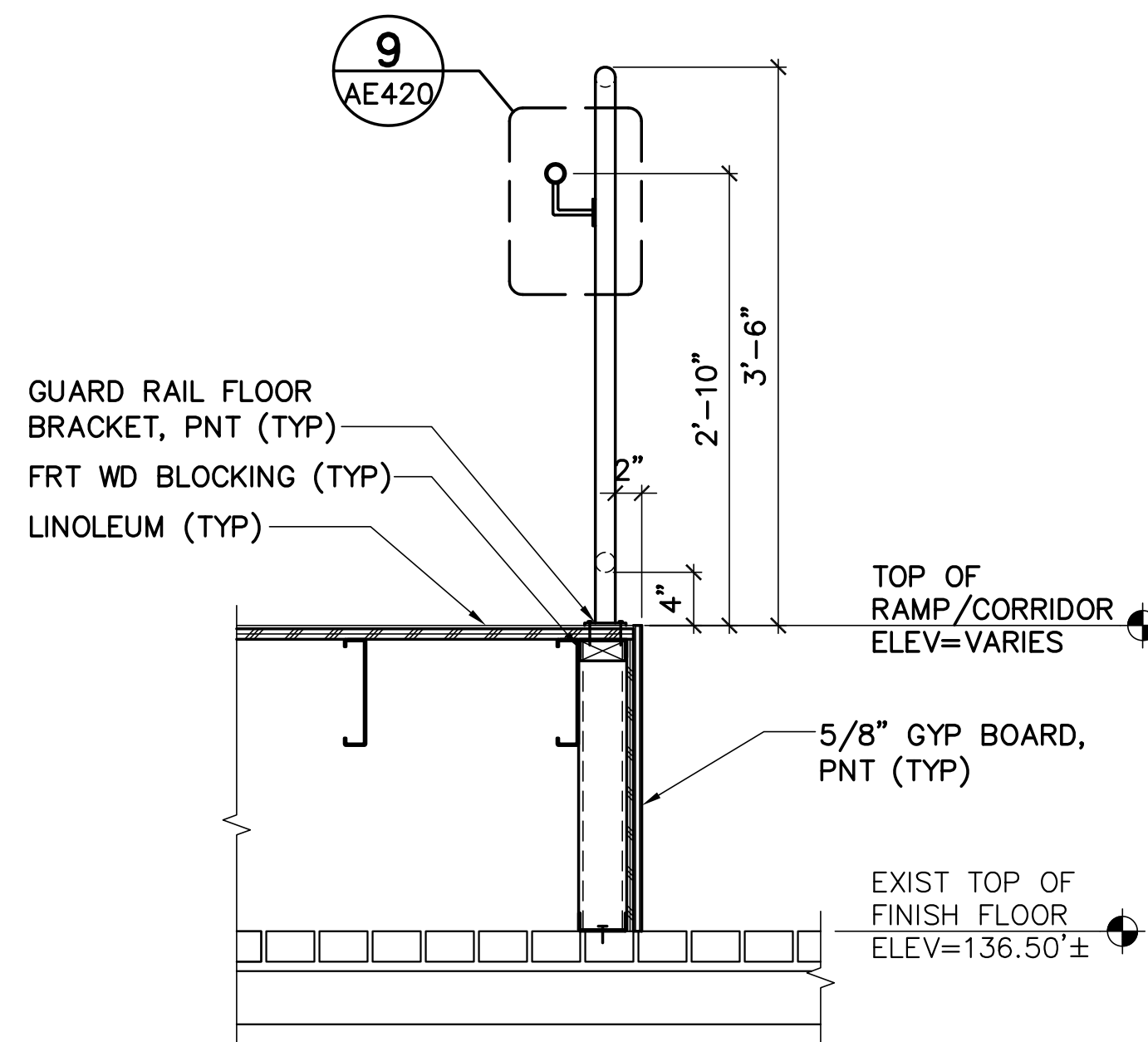
9 ELEVATOR PIT PLAN
 AE421/AE421 SCALE: 1/4"=1'-0"



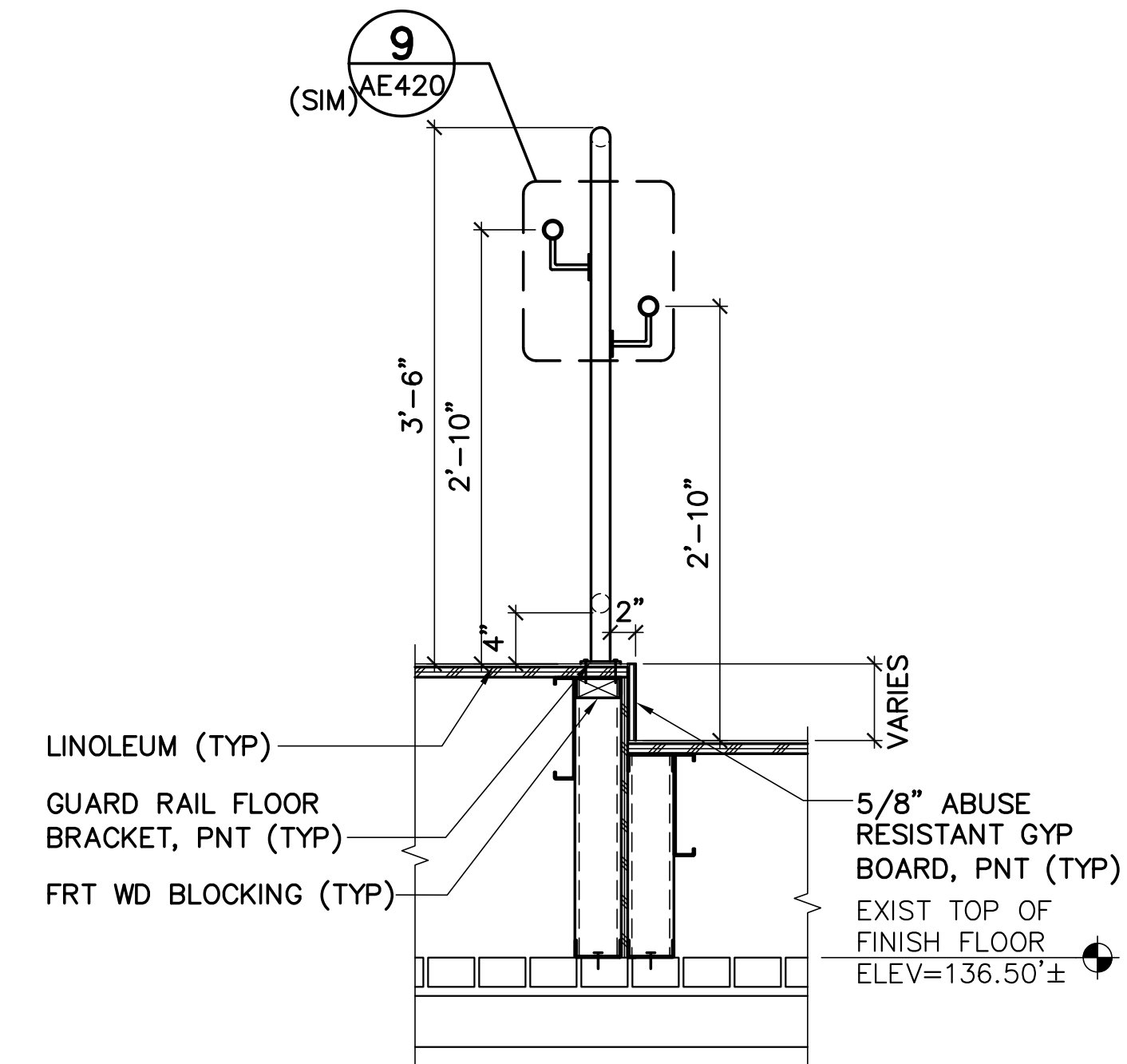
7 ENLARGED RAMP PLAN
 AE101/AE421 SCALE: 1/4"=1'-0"



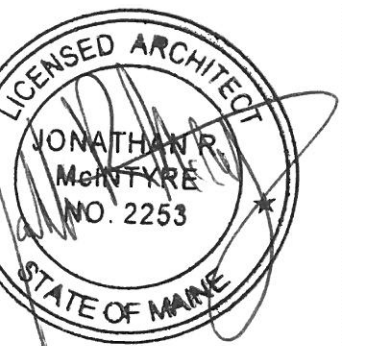
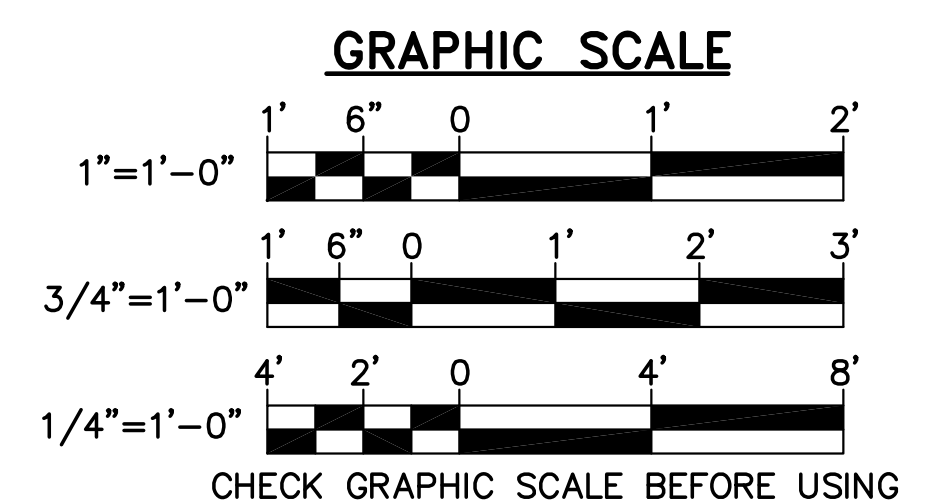
8 ENLARGED STAIR PLAN
 AE101/AE421 SCALE: 1/4"=1'-0"



9 TYP EDGE WALL RAILING DETAIL
 AE421/AE421 SCALE: 1"=1'-0"
 NOTE: REFER TO SF503 FOR STRUCTURAL DETAILS



10 TYP RAMP RAILING DETAIL
 AE421/AE421 SCALE: 1"=1'-0"
 NOTE: REFER TO SF503 FOR STRUCTURAL DETAILS



TGB
 CET JMC
 21602.06
 DESIGNED BY:
 DRAWN BY:
 CHECKED BY:
 PROJECT:

REICHE ELEMENTARY SCHOOL
 PORTLAND SCHOOL DEPARTMENT

353 Cumberland Avenue
 Portland, ME 04102

REICHE ELEMENTARY
 ELEVATOR ADDITION

166 Brackett Street
 Portland, ME 04102

ENLARGED
 RAMP, STAIR, &
 ELEVATOR
 PLANS, SECTIONS
 & DETAILS

SCALE: AS NOTED
 DATE: 04-29-2016

DWG.: AE421

SHEET: 28 OF 40