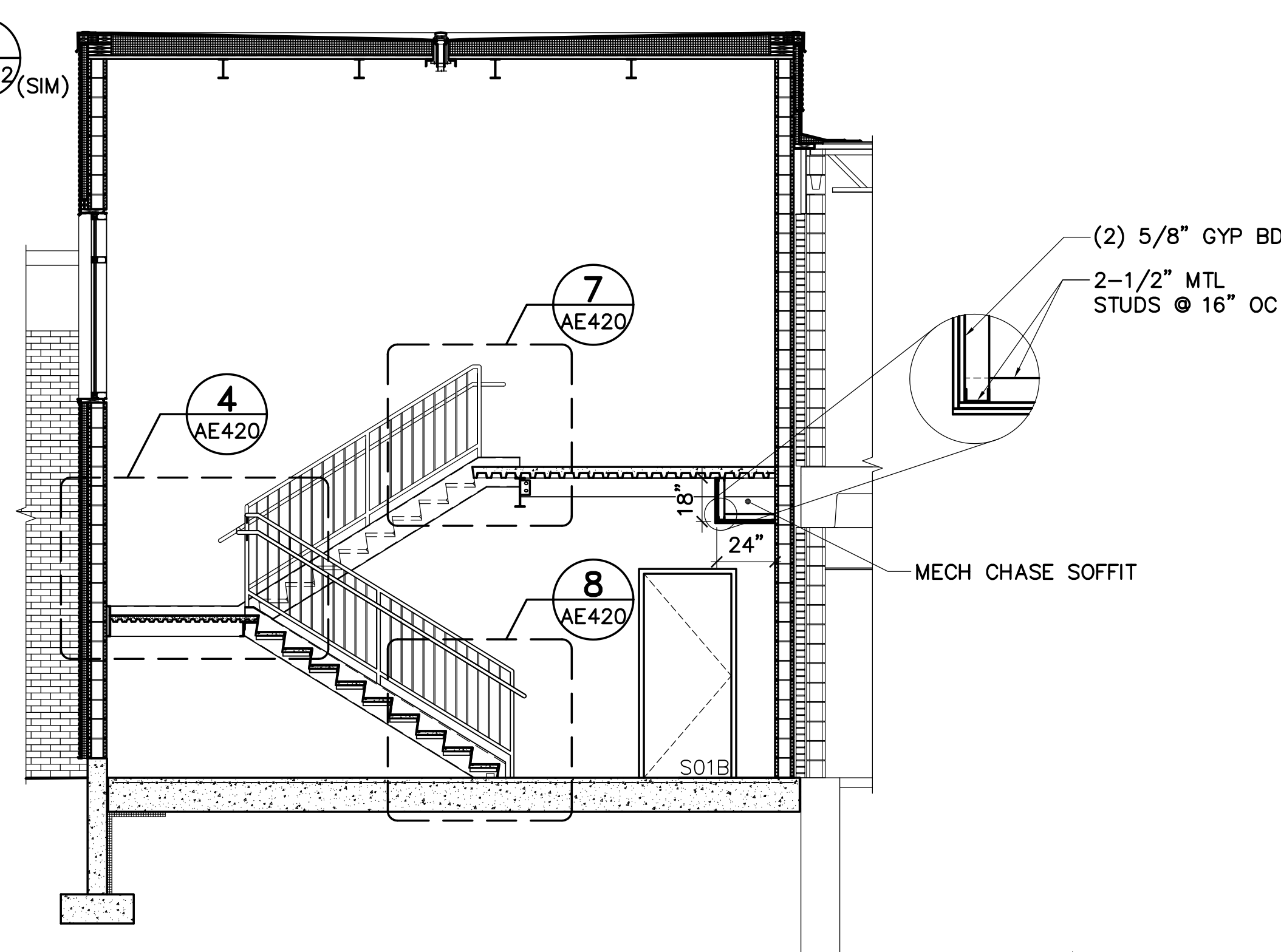
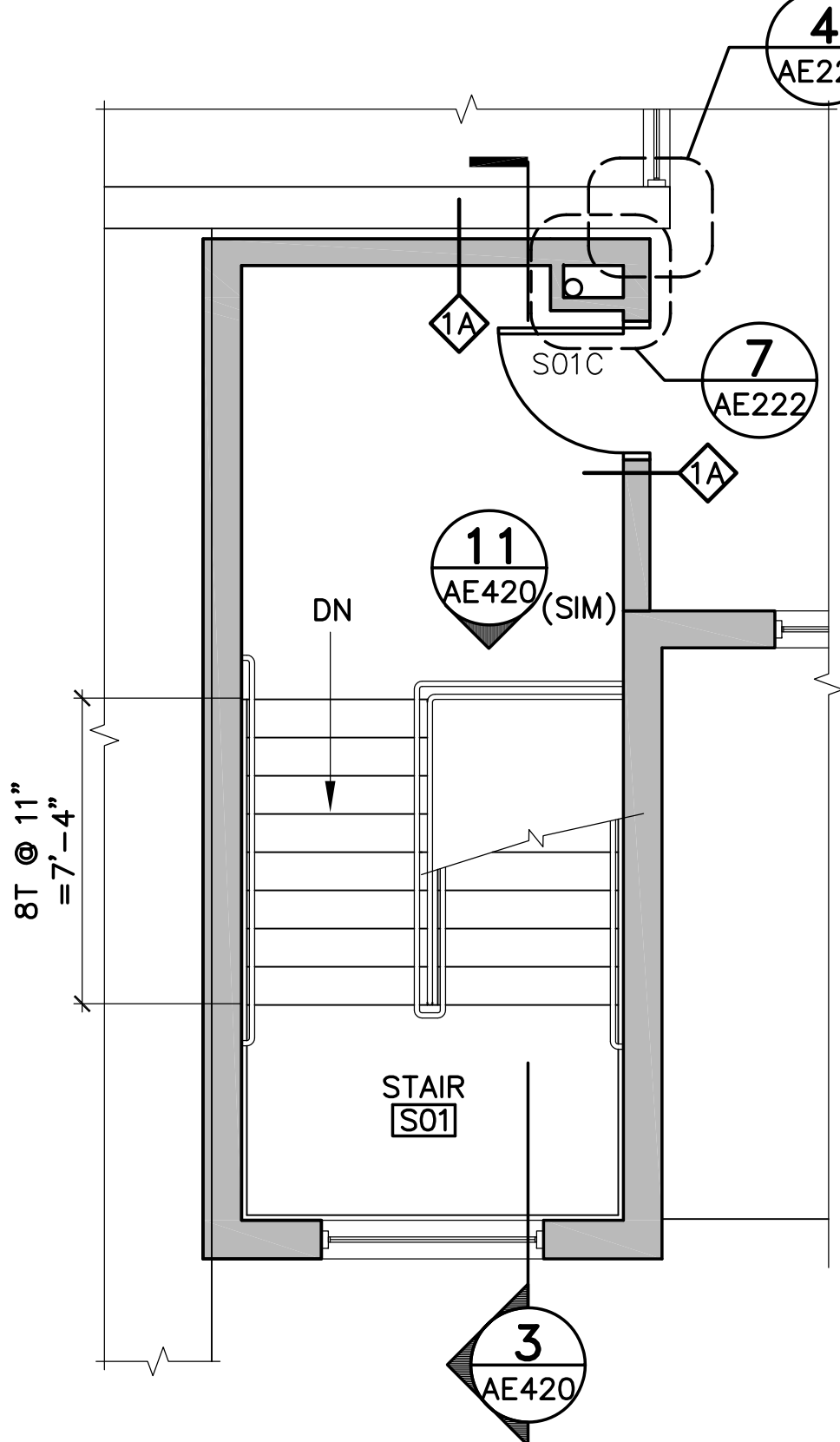


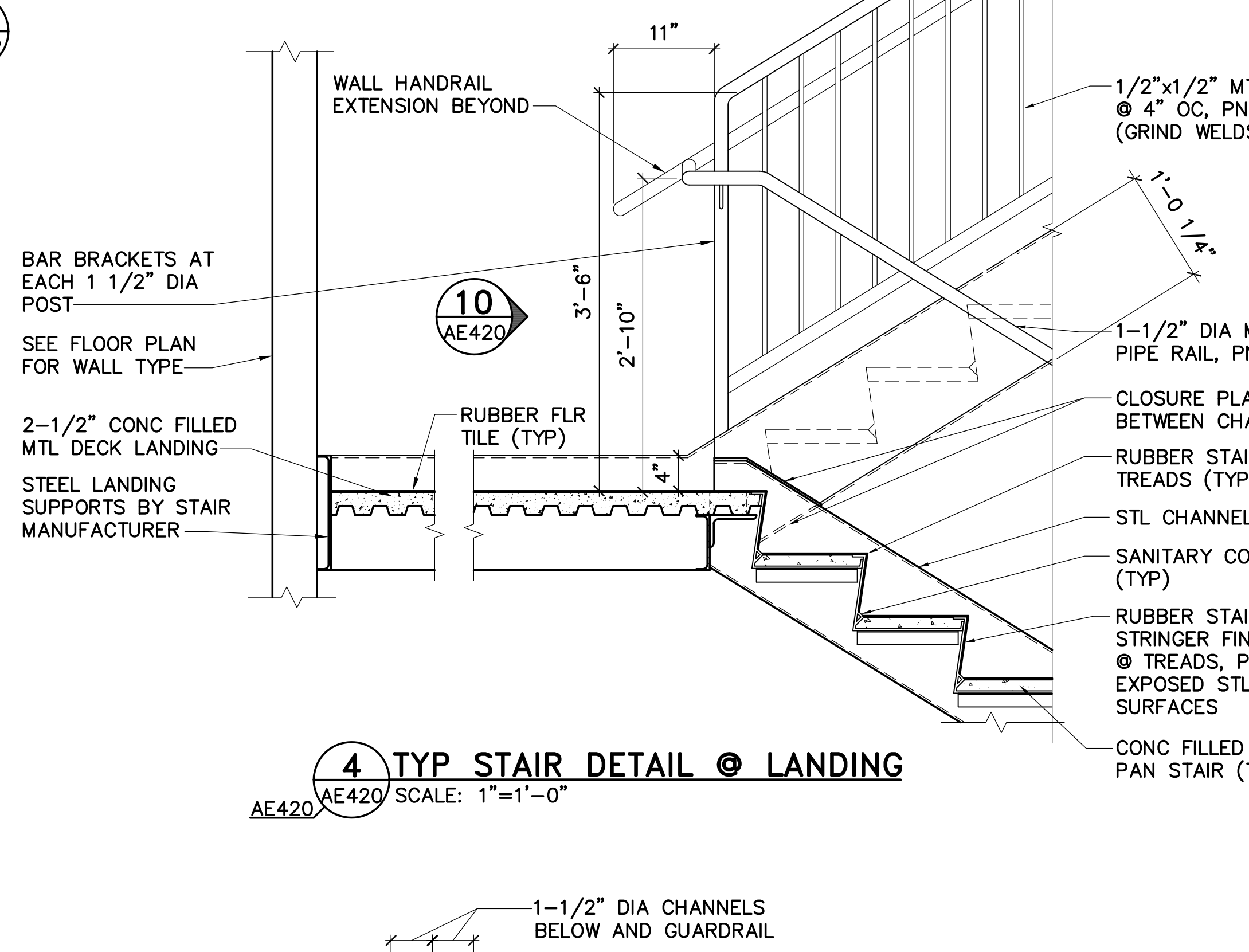
**1 S01 FIRST FLOOR PLAN**  
 AE420 SCALE: 1/4"=1'-0"  
 NOTE: PROVIDE FIRE PENETRATION SEALANT AT PIPING PENETRATION, SEE DETAIL 5/AE101



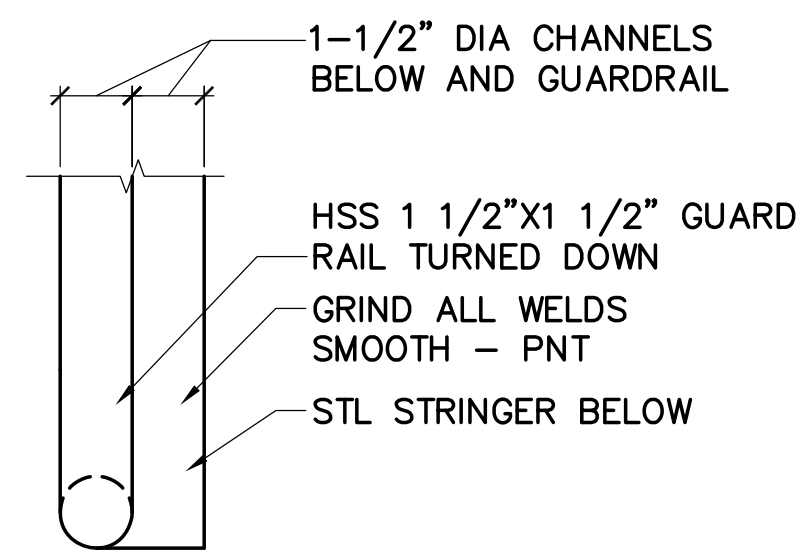
**3 S01 SECTION**  
 AE420 SCALE: 1/4"=1'-0"



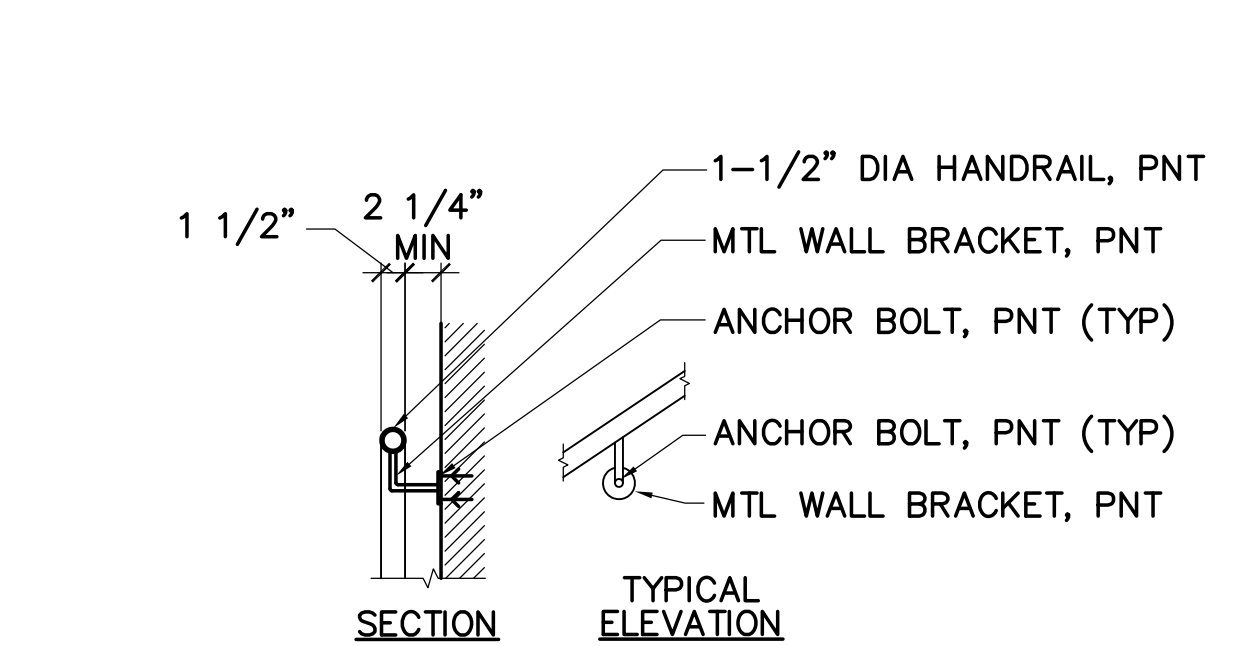
**2 S01 SECOND FLOOR PLAN**  
 AE420 SCALE: 1/4"=1'-0"  
 NOTE: PROVIDE FIRE PENETRATION SEALANT AT PIPING PENETRATION, SEE DETAIL 5/AE101



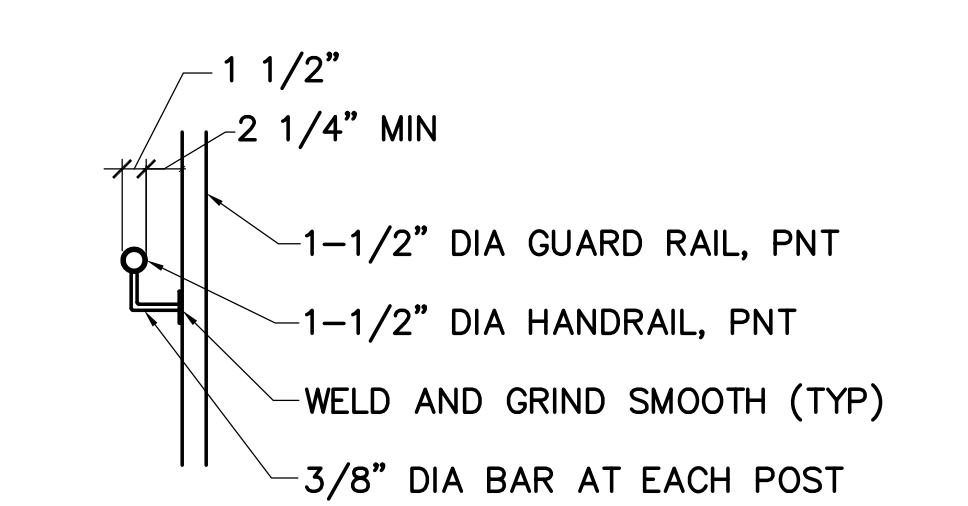
**4 TYP STAIR DETAIL @ LANDING**  
 AE420 SCALE: 1"=1'-0"



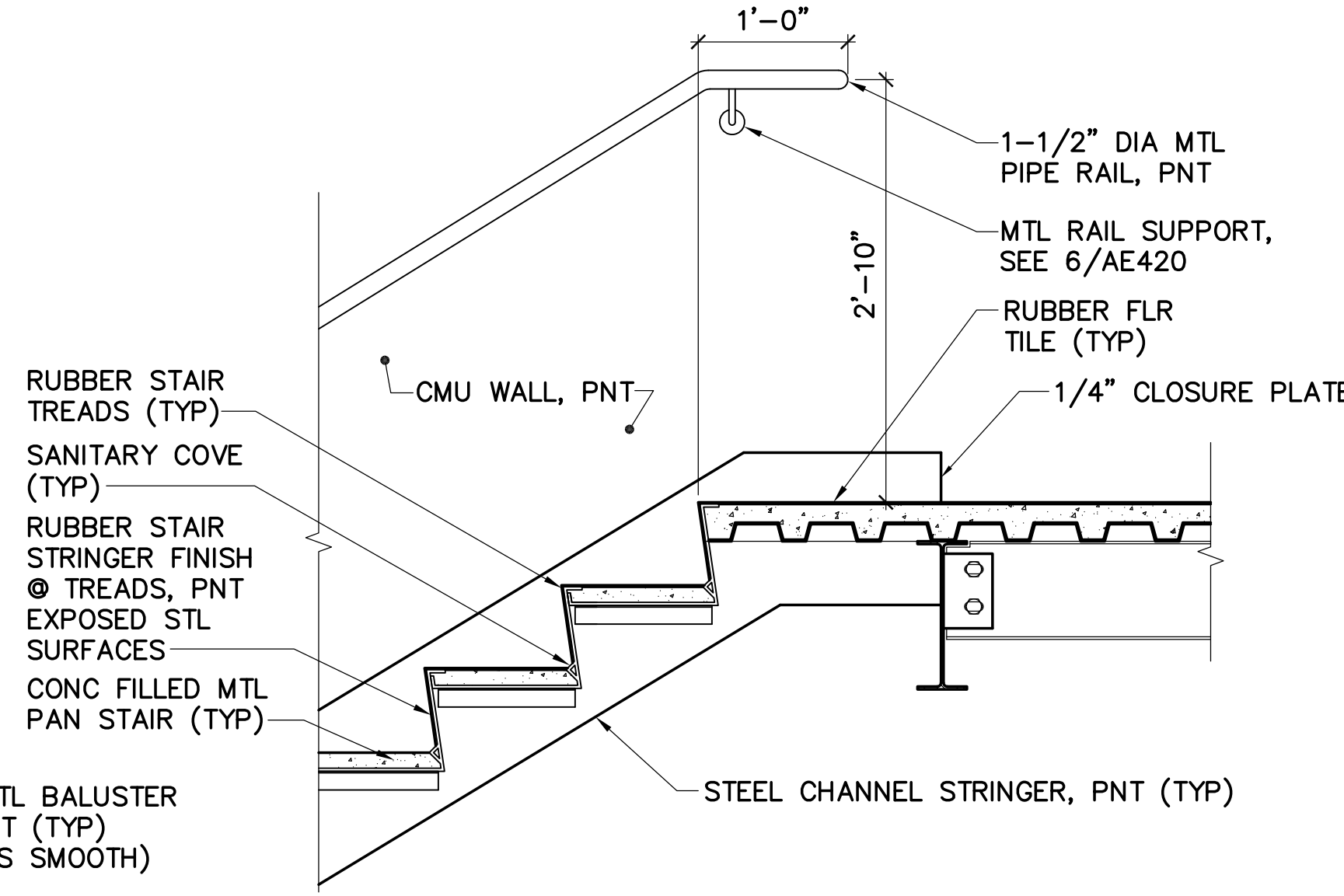
**5 TYP NEWEL POST RAILING PLAN DETAIL**  
 AE420 SCALE: 3"=1'-0"



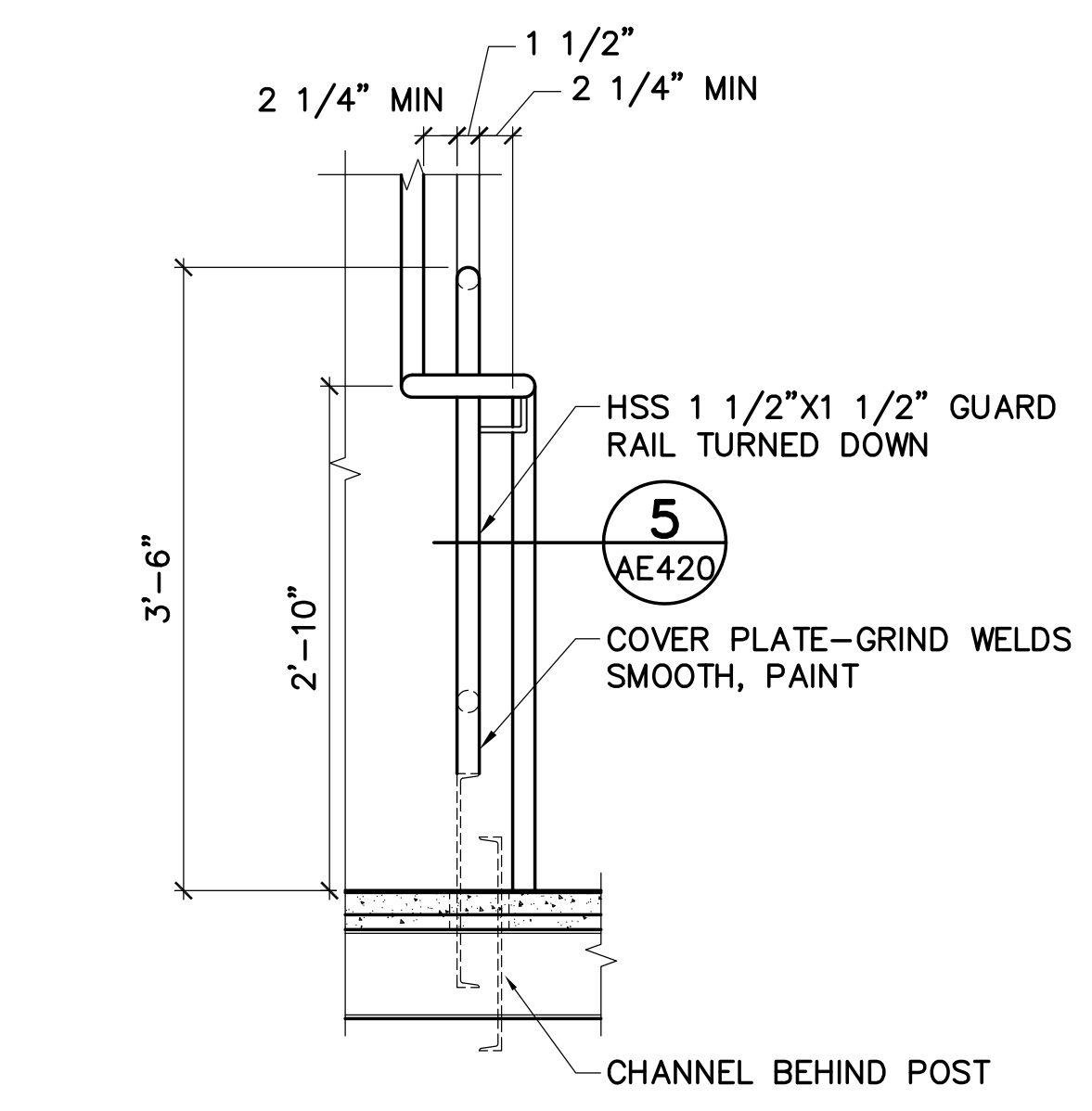
**6 TYPICAL RAILING DETAIL**  
 AE420, AE421 SCALE: 1"=1'-0"  
 NOTE: RAIL SUPPORTS @ 6'-0" OC MAX



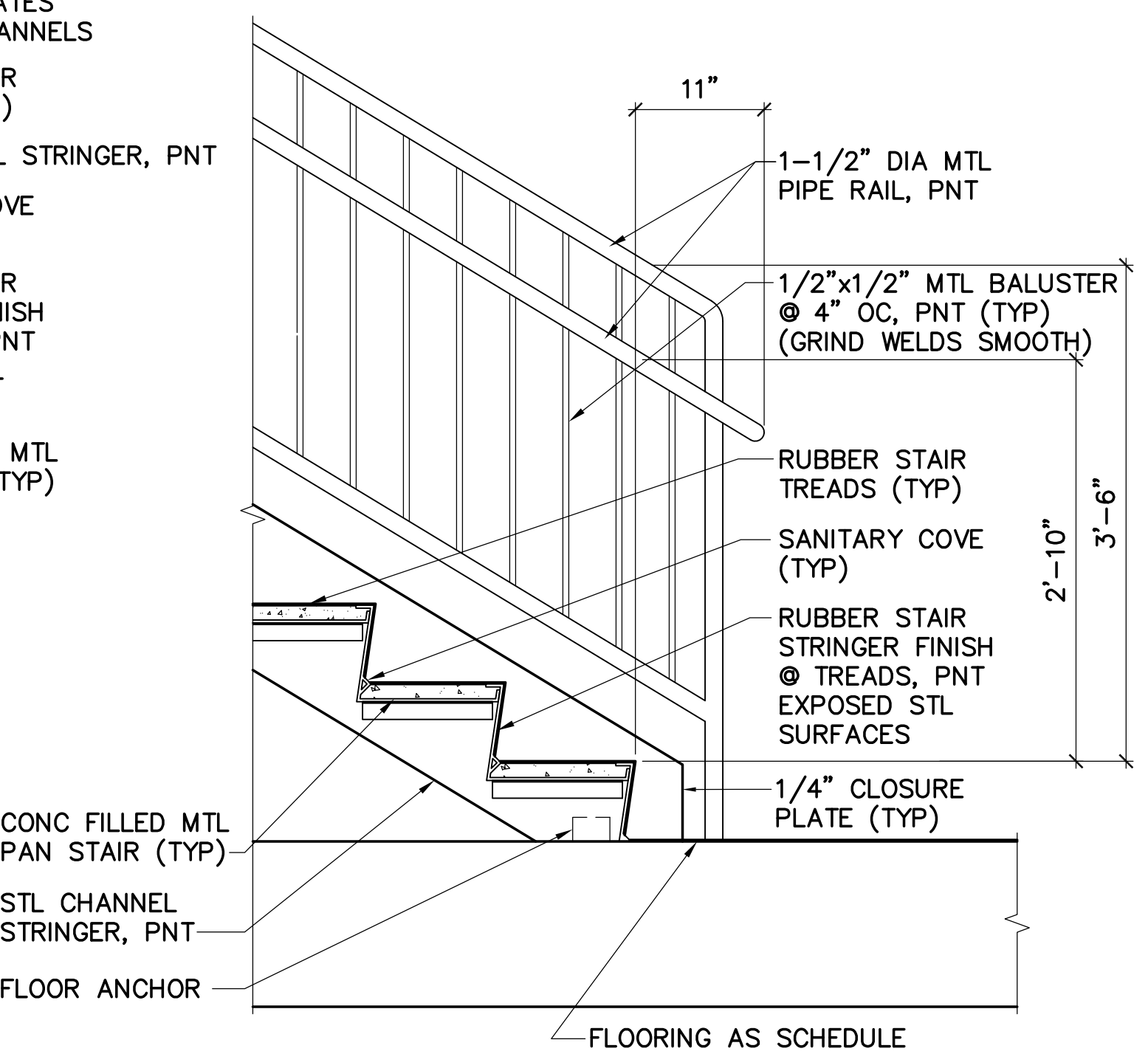
**9 TYPICAL BRACKET DETAIL**  
 AE420 SCALE: 1"=1'-0"



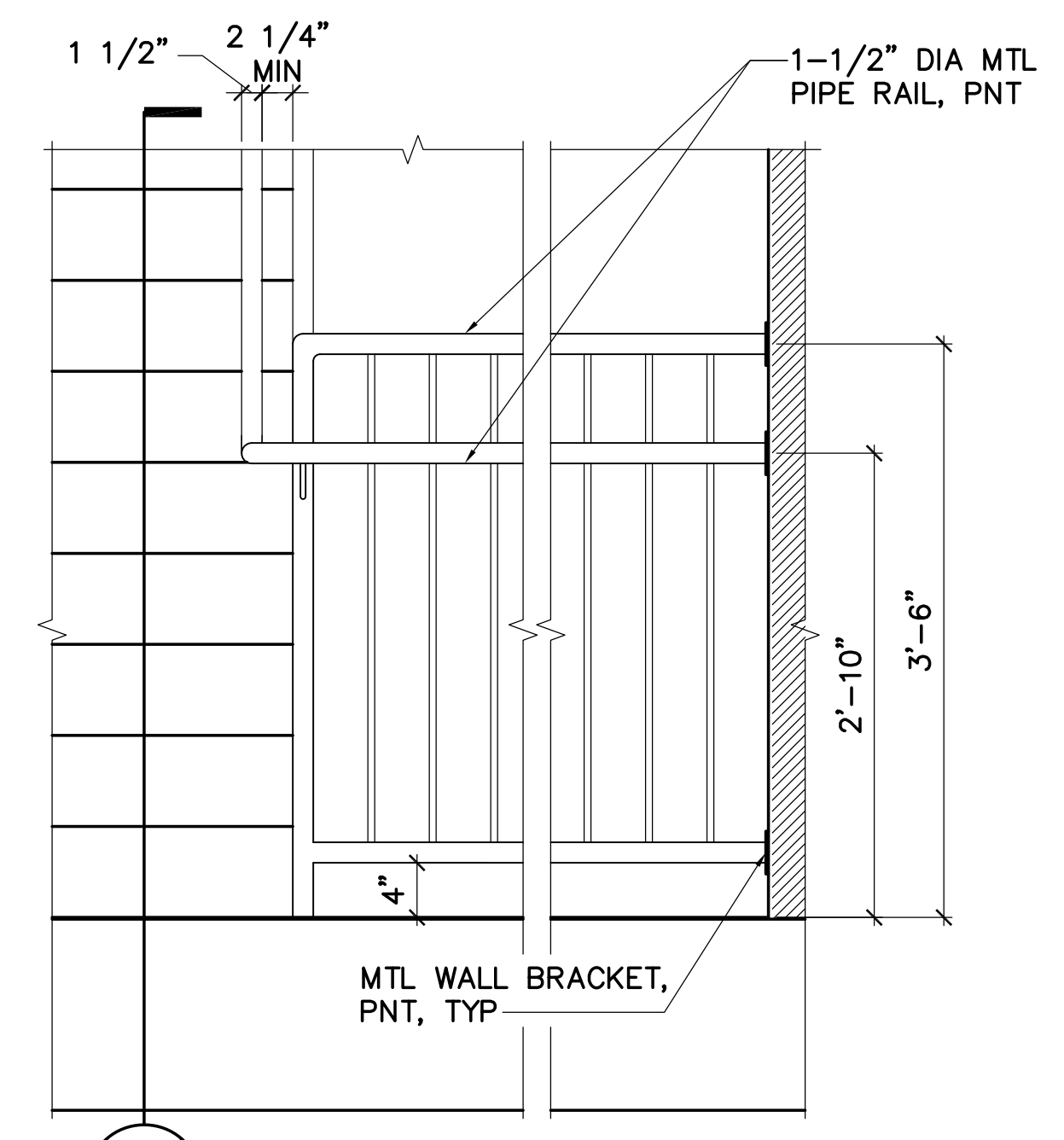
**7 TYP HANDRAIL DETAIL**  
 AE420 SCALE: 1"=1'-0"



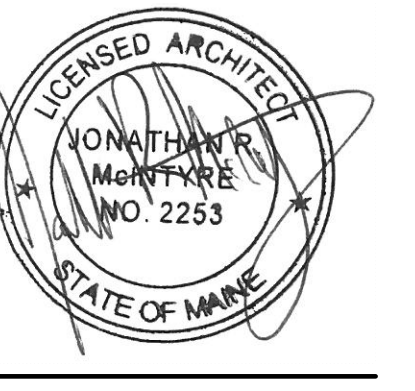
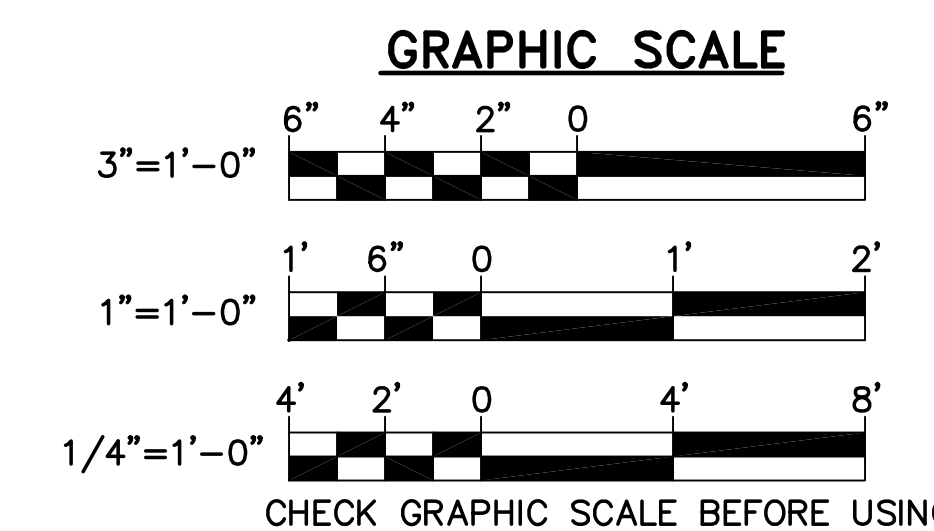
**10 TYP RAILING ELEVATION**  
 AE420 SCALE: 1"=1'-0"



**8 TYP STAIR DETAIL @ FIRST FLOOR**  
 AE420, AE421 SCALE: 1"=1'-0"



**11 STAIR CLOSURE**  
 AE420, AE421 SCALE: 1"=1'-0"



TGB  
 CET JMC  
 DESIGNED BY:  
 DRAWN BY:  
 CHECKED BY:  
 PROJECT: 21602.06

REICHE ELEMENTARY SCHOOL  
 PORTLAND SCHOOL DEPARTMENT

REICHE ELEMENTARY  
 ELEVATOR ADDITION  
 166 Brackett Street  
 Portland, ME 04102  
 353 Cumberland Avenue  
 Portland, ME 04102

ENLARGED STAIR  
 PLANS, SECTIONS  
 AND DETAILS