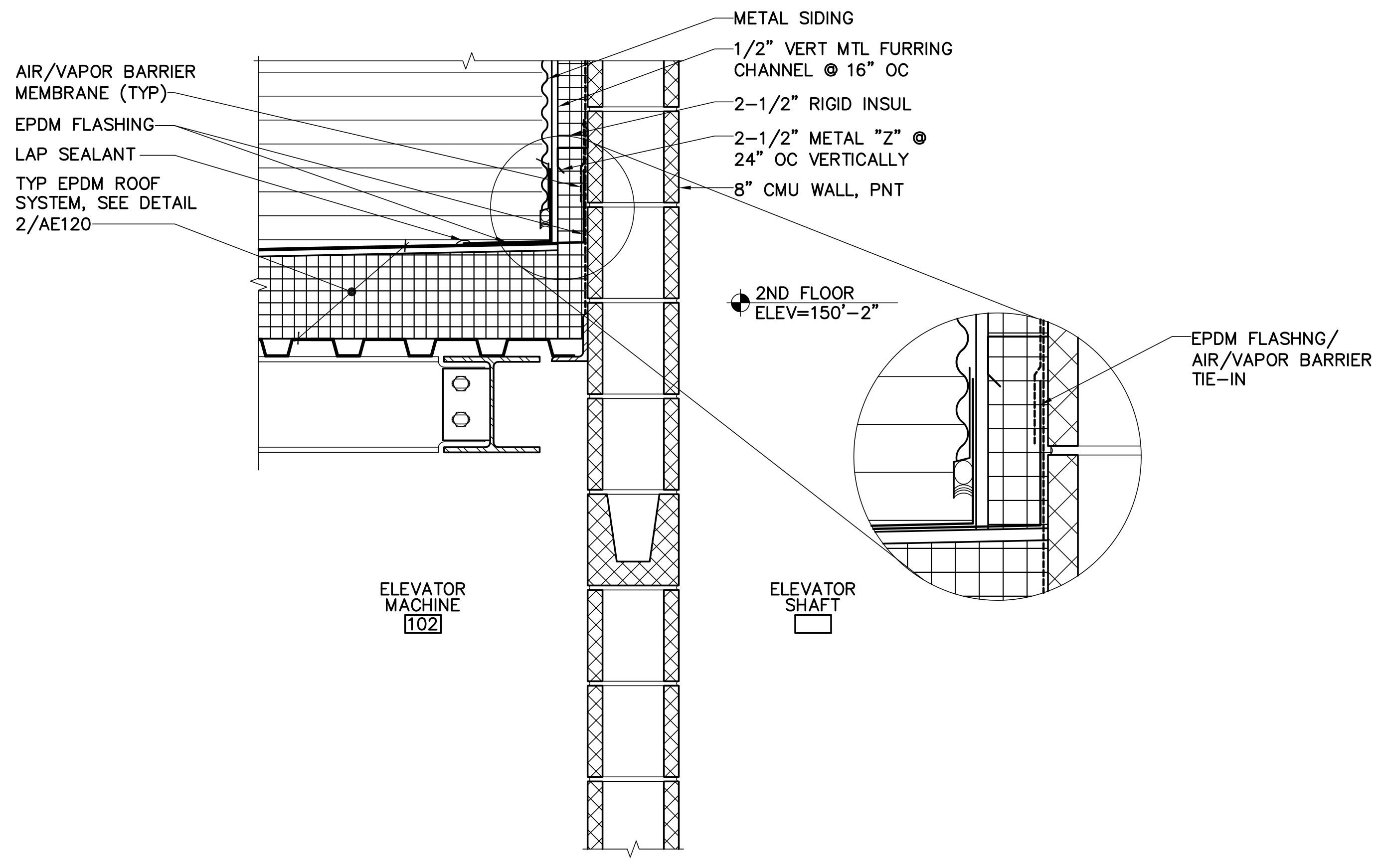
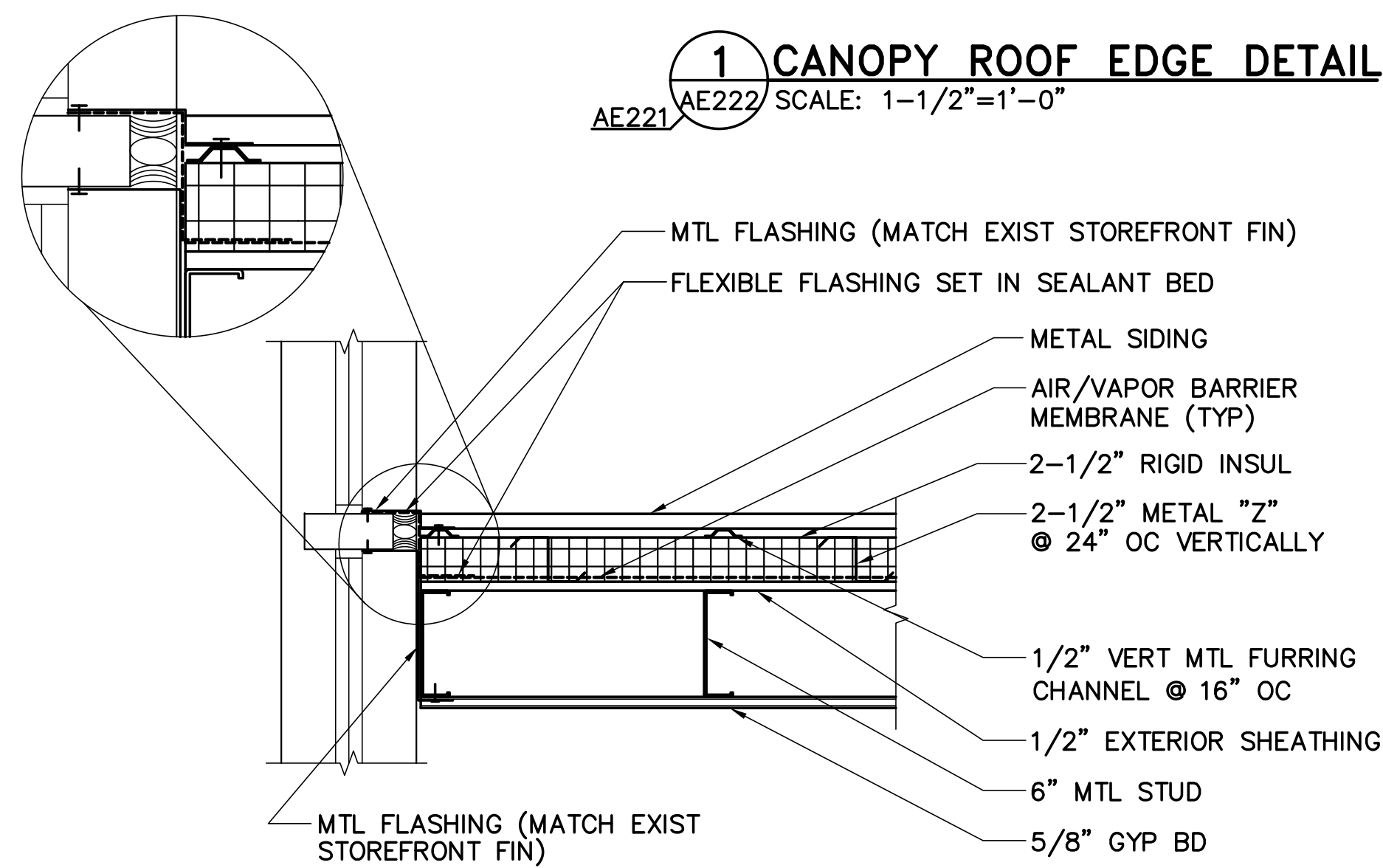


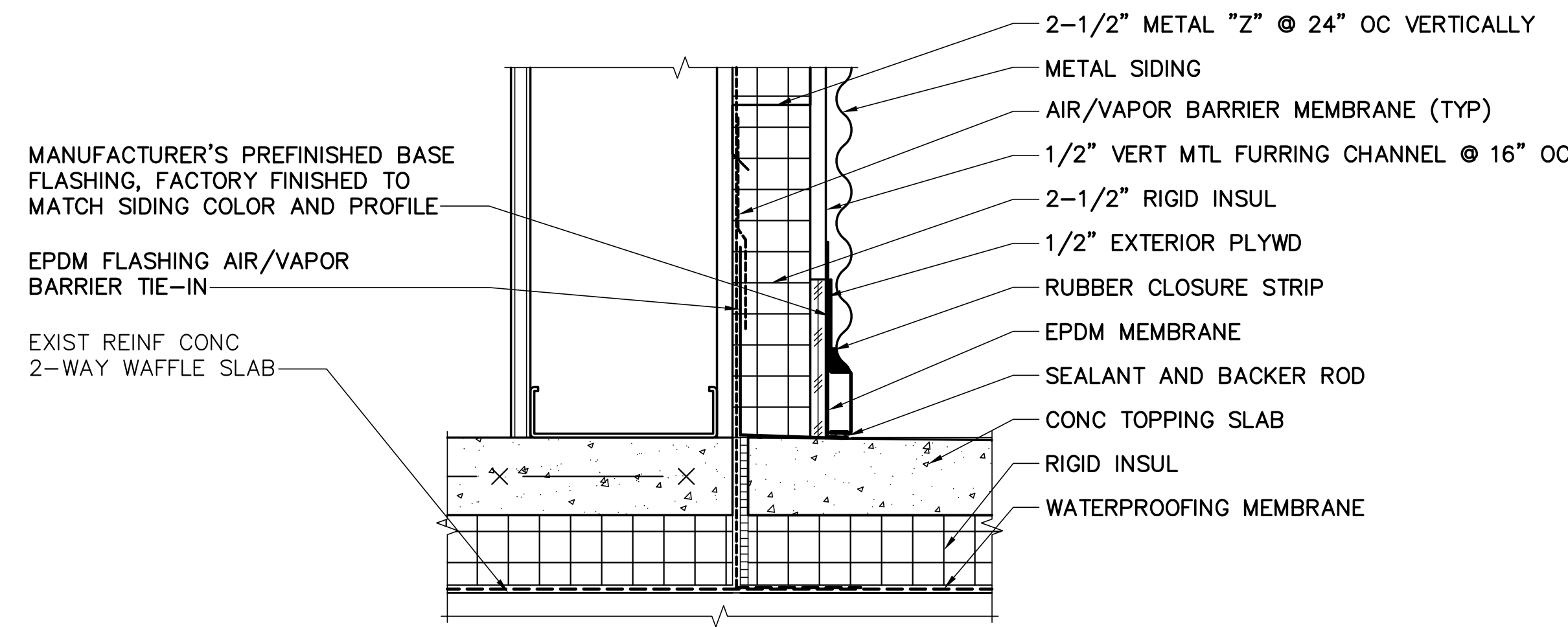
1 CANOPY ROOF EDGE DETAIL
 AE221, AE222 SCALE: 1-1/2"=1'-0"



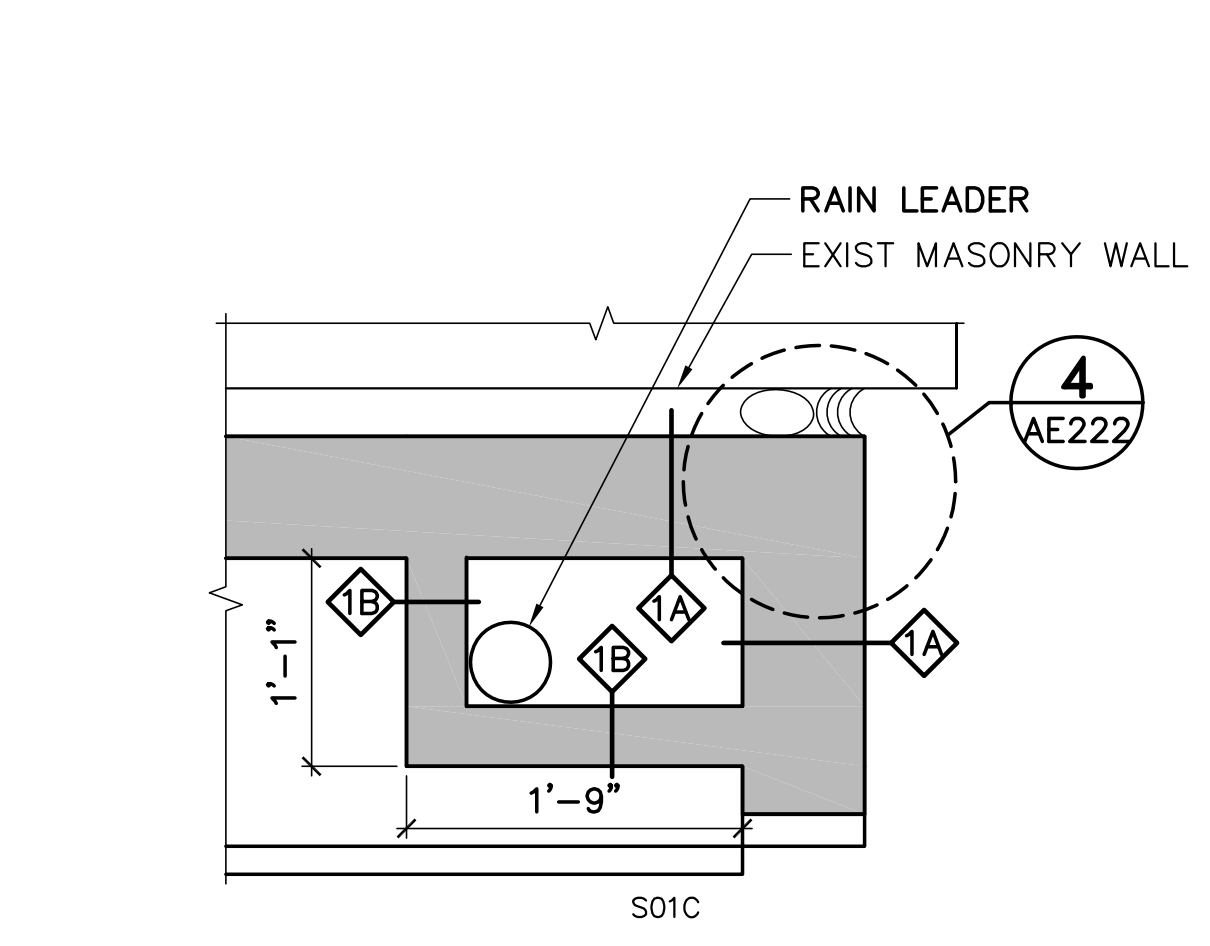
2 CANOPY ROOF FLASHING DETAIL
 AE220, AE221, AE222 SCALE: 1-1/2"=1'-0"



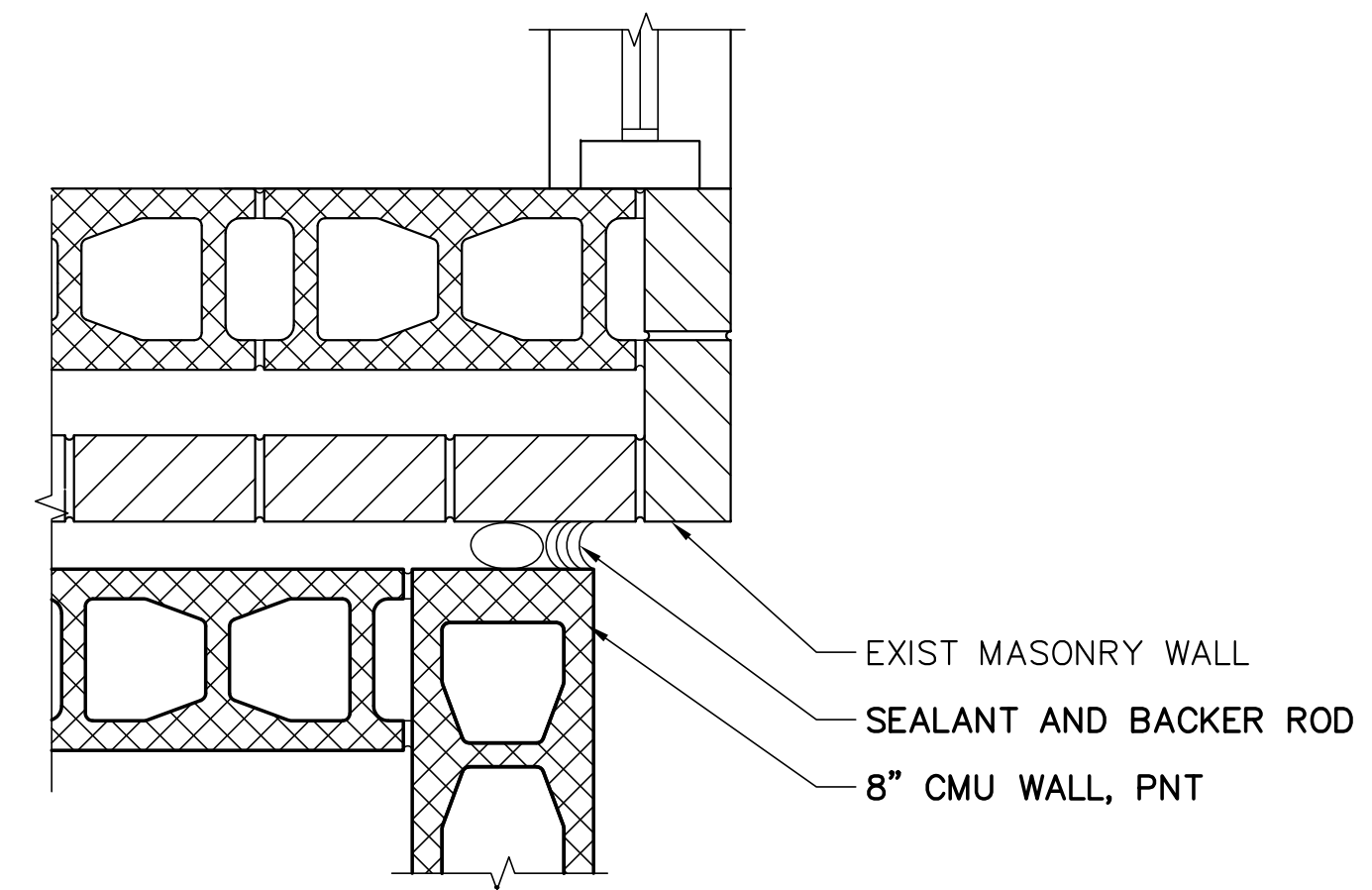
3 METAL SIDING AND EXISTING STOREFRONT CONNECTION DETAIL
 AE101, AE222 SCALE: 1-1/2"=1'-0"



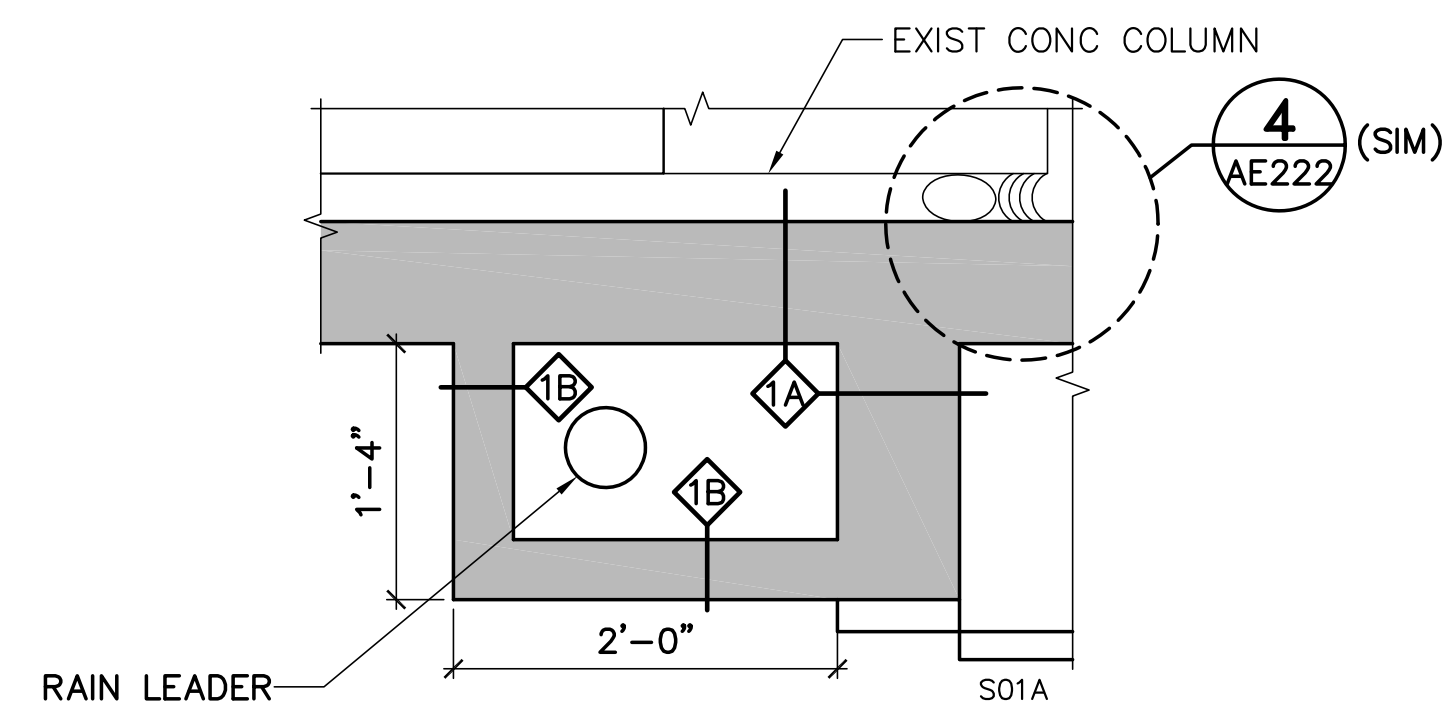
5 TYP METAL SIDING BASE DETAIL @ TERRACE
 AE221, AE222 SCALE: 3"=1'-0"
 NOTE: SEE 8/SF503 FOR TOPPING SLAB DETAIL



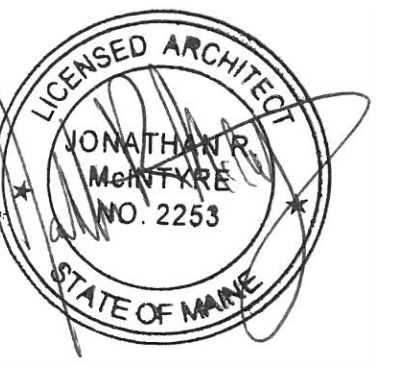
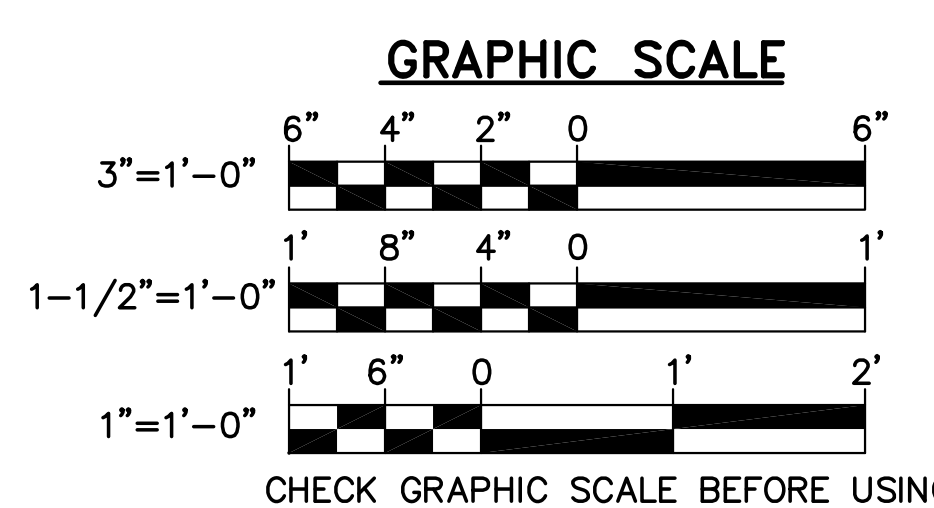
7 2ND FLOOR VERT MECHANICAL CHASE
 AE420, AE222 SCALE: 1"=1'-0"



4 INTERIOR MASONRY JOINT DETAIL
 AE101, AE222, AE420 SCALE: 1-1/2"=1'-0"



6 1ST FLOOR VERT MECHANICAL CHASE
 AE420, AE222 SCALE: 1"=1'-0"



TGB
 CET JMC
 21602.06
 DESIGNED BY:
 DRAWN BY:
 CHECKED BY:
 PROJECT:

**REICHE ELEMENTARY SCHOOL
 PORTLAND SCHOOL DEPARTMENT**
 353 Cumberland Avenue
 Portland, ME 04102

**REICHE ELEMENTARY
 ELEVATOR ADDITION**
 166 Brackett Street
 Portland, ME 04102

**CANOPY AND
 WALL DETAILS**

SCALE: AS NOTED
 DATE: 04-29-2016
 DWG.: AE222
 SHEET: 26 OF 40