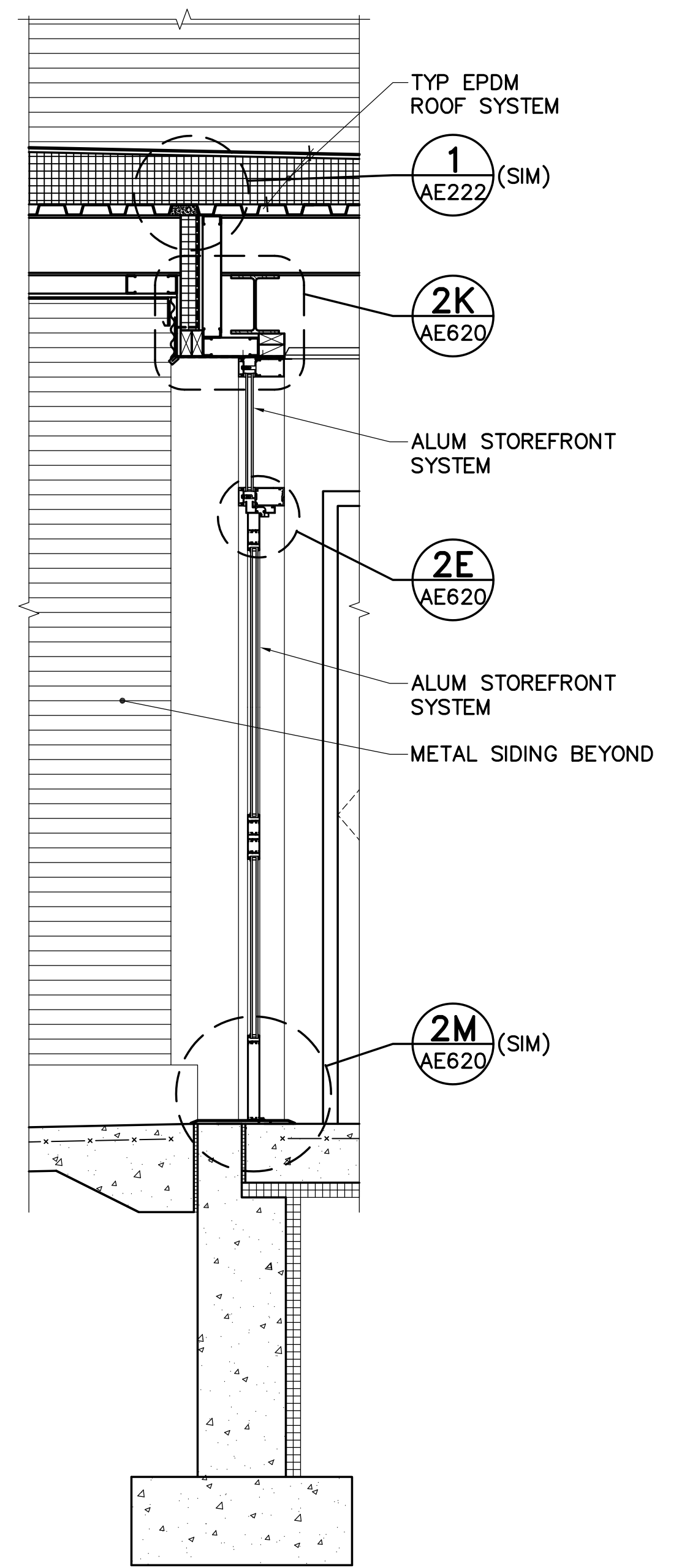
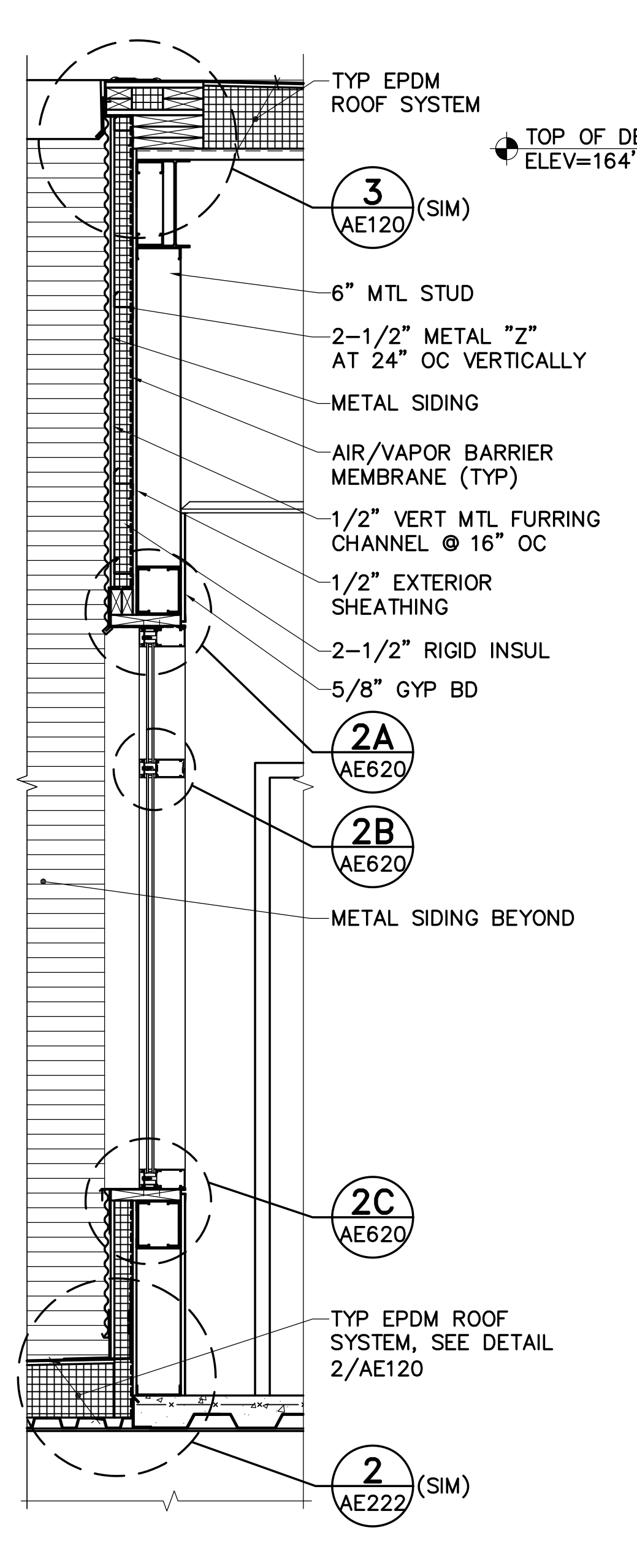


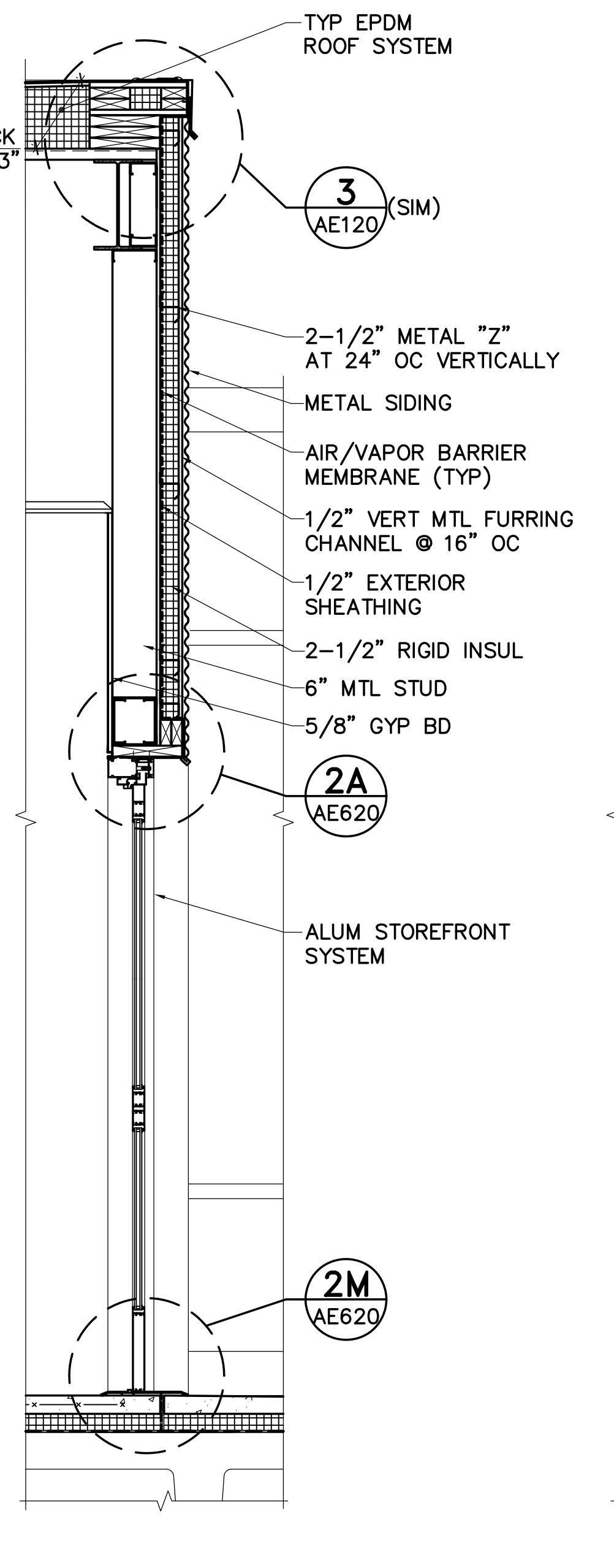
1 COVERED ENTRANCE WALL SECTION
 AE220 AE221 SCALE: 3/4"=1'-0"



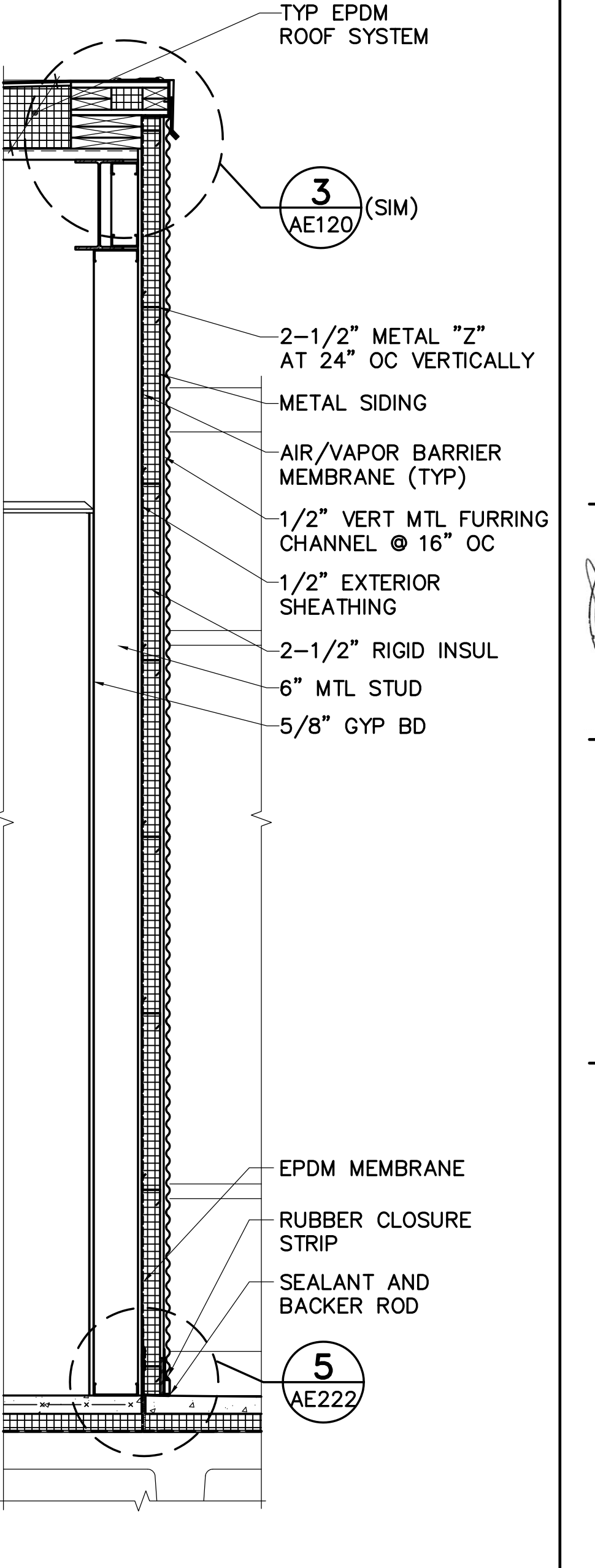
2 ENTRY WALL SECTION
 AE220 AE221 SCALE: 3/4"=1'-0"



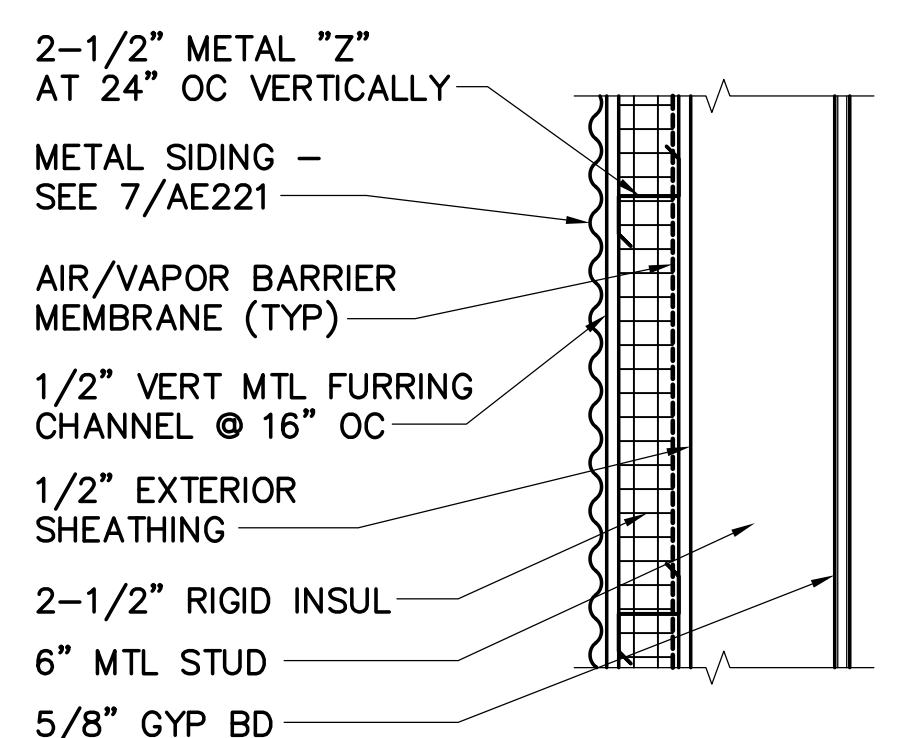
3 2ND FLOOR LOBBY WALL SECTION
 AE220 AE221 SCALE: 3/4"=1'-0"



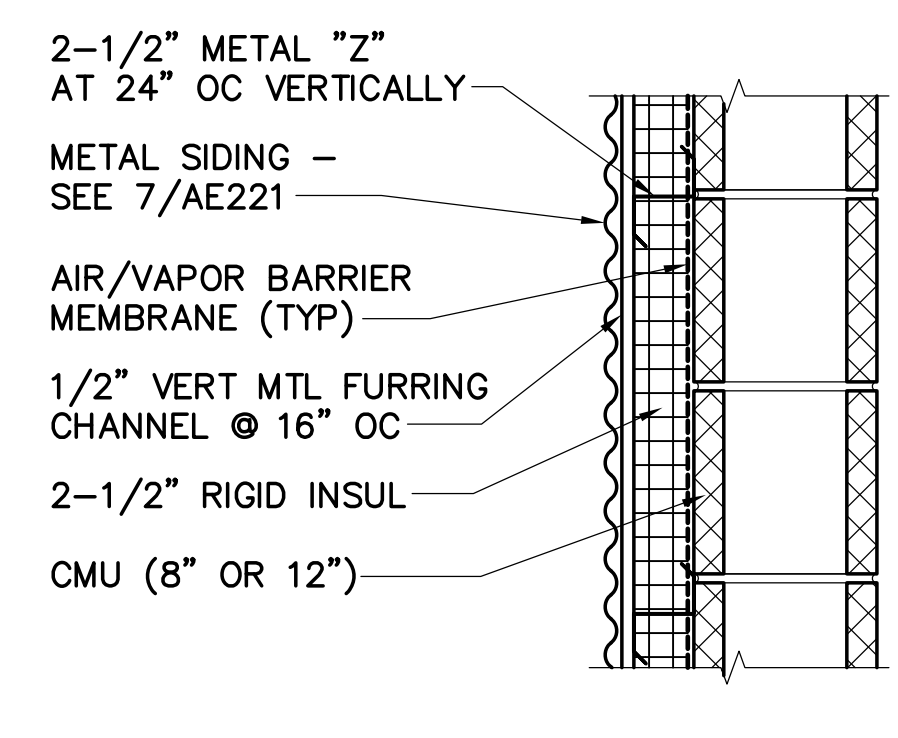
4 2ND FLOOR TERRACE WALL SECTION
 AE220 AE221 SCALE: 3/4"=1'-0"



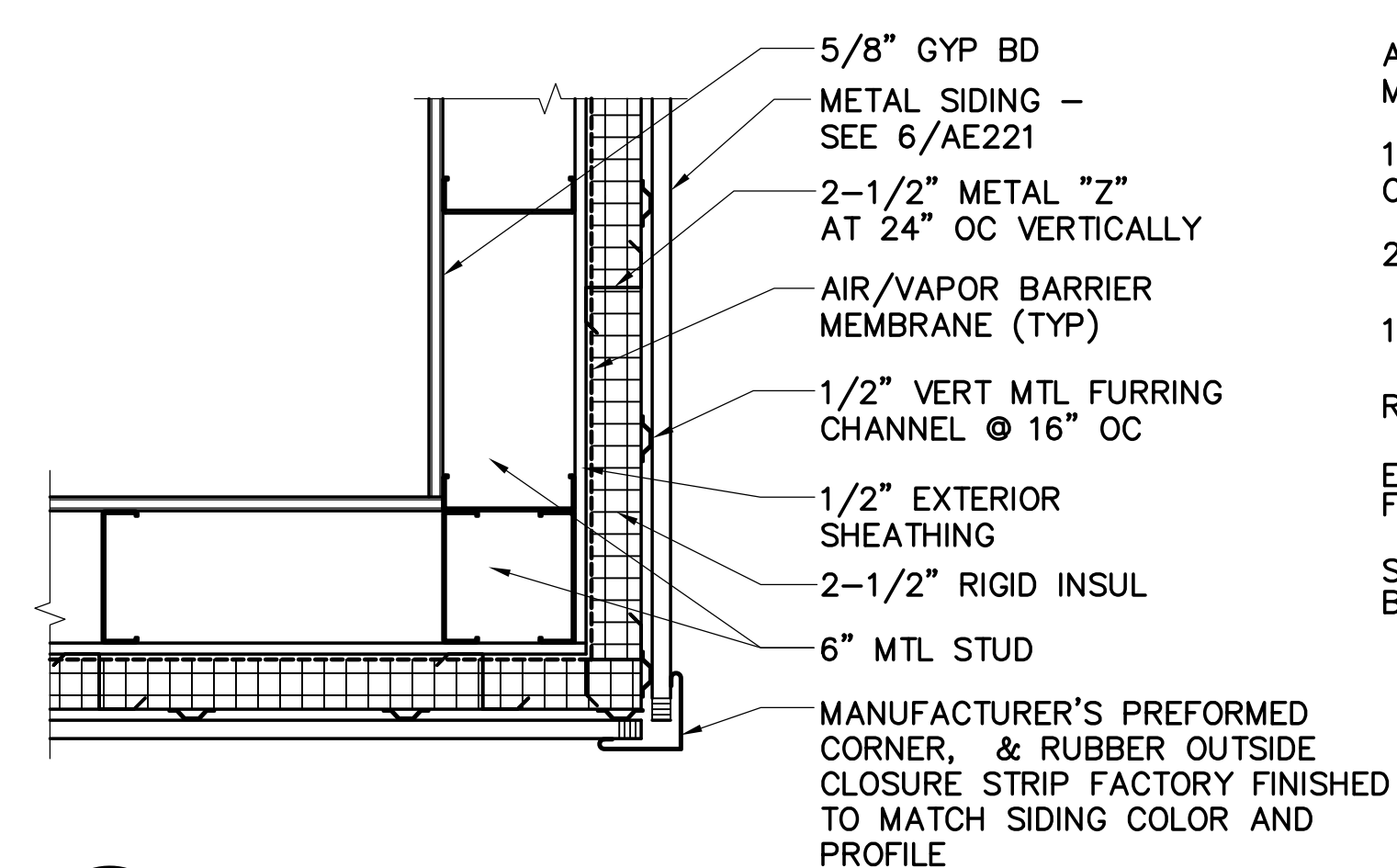
5 2ND FLOOR TERRACE WALL SECTION
 AE220 AE221 SCALE: 3/4"=1'-0"



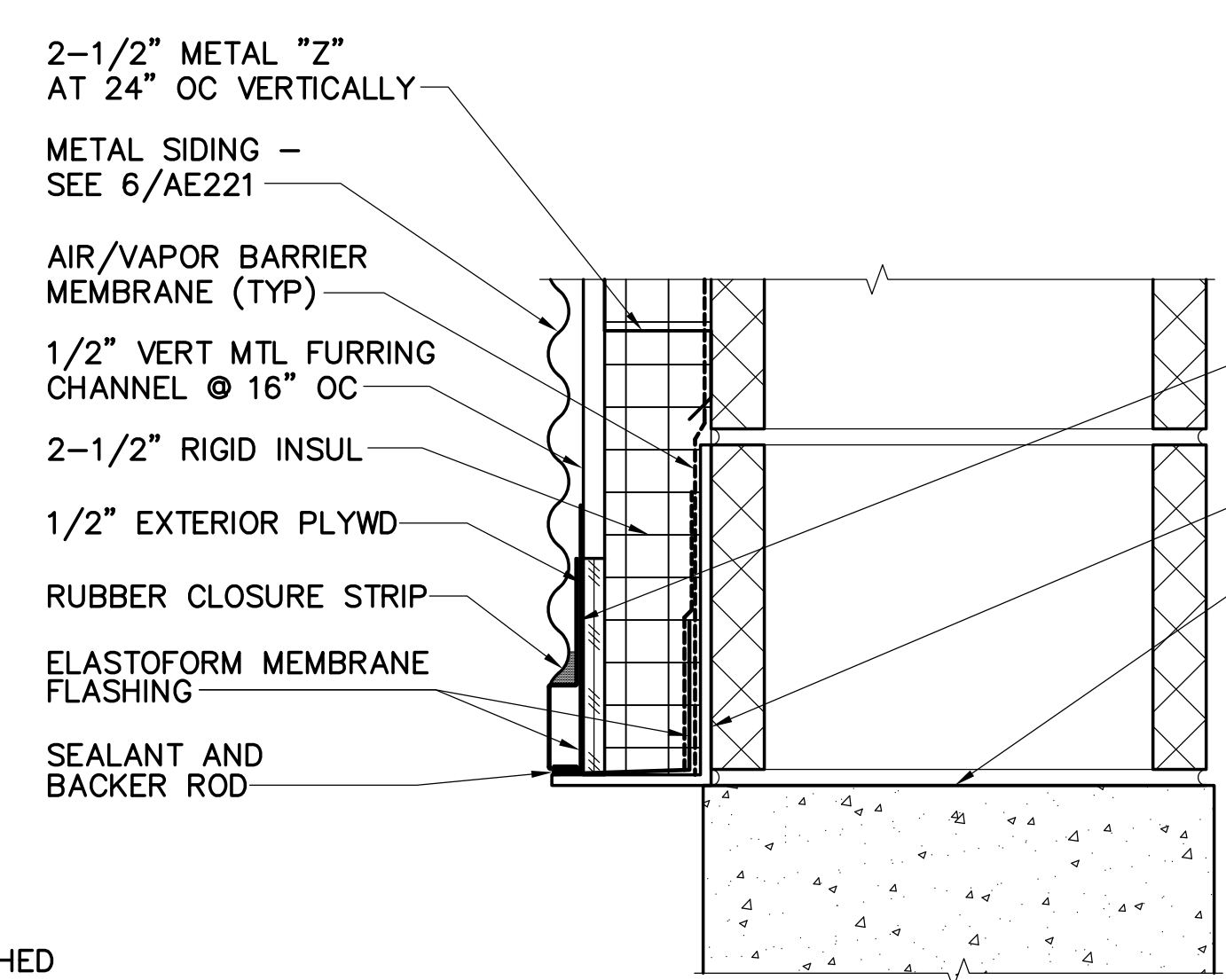
A MTL STUD WALL



B CMU WALL

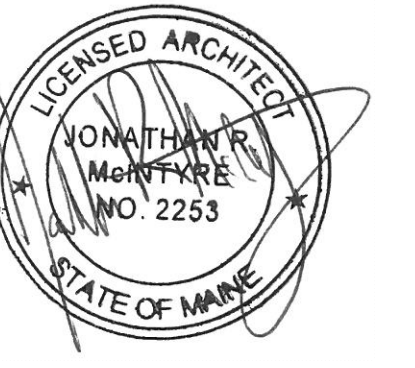
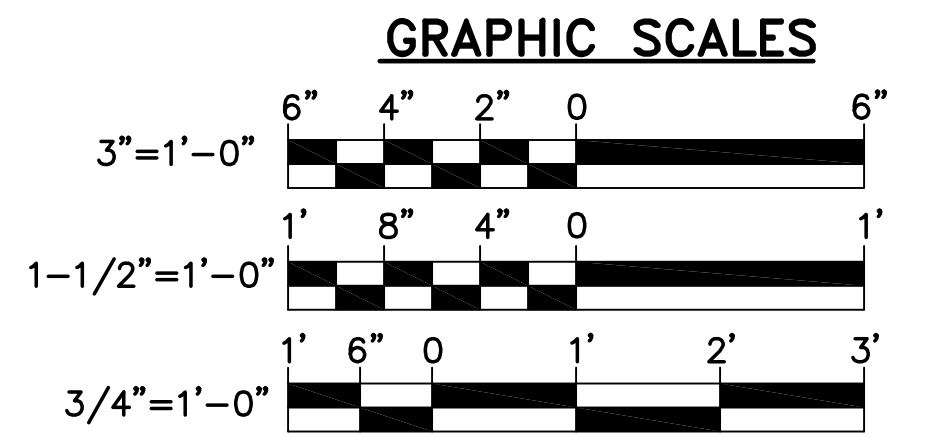


7 TYP METAL SIDING WALL CORNER
 AE221 SCALE: 1-1/2"=1'-0"
 NOTE: CMU WALL TYPE SIM, SEE DETAIL 6B/AE221



8 TYP METAL SIDING BASE DETAIL
 AE221 SCALE: 3"=1'-0"

6 TYP METAL SIDING WALL SYSTEM
 AE220, AE221 SCALE: 1-1/2"=1'-0"



TGB
 CET JMC
 21602.06
 DESIGNED BY:
 DRAWN BY:
 CHECKED BY:
 PROJECT:

REICHE ELEMENTARY SCHOOL
 PORTLAND SCHOOL DEPARTMENT
 353 Cumberland Avenue
 Portland, ME 04102

REICHE ELEMENTARY
 ELEVATOR ADDITION
 166 Brackett Street
 Portland, ME 04102

WALL SECTIONS AND DETAILS

CHECK GRAPHIC SCALES BEFORE USING