

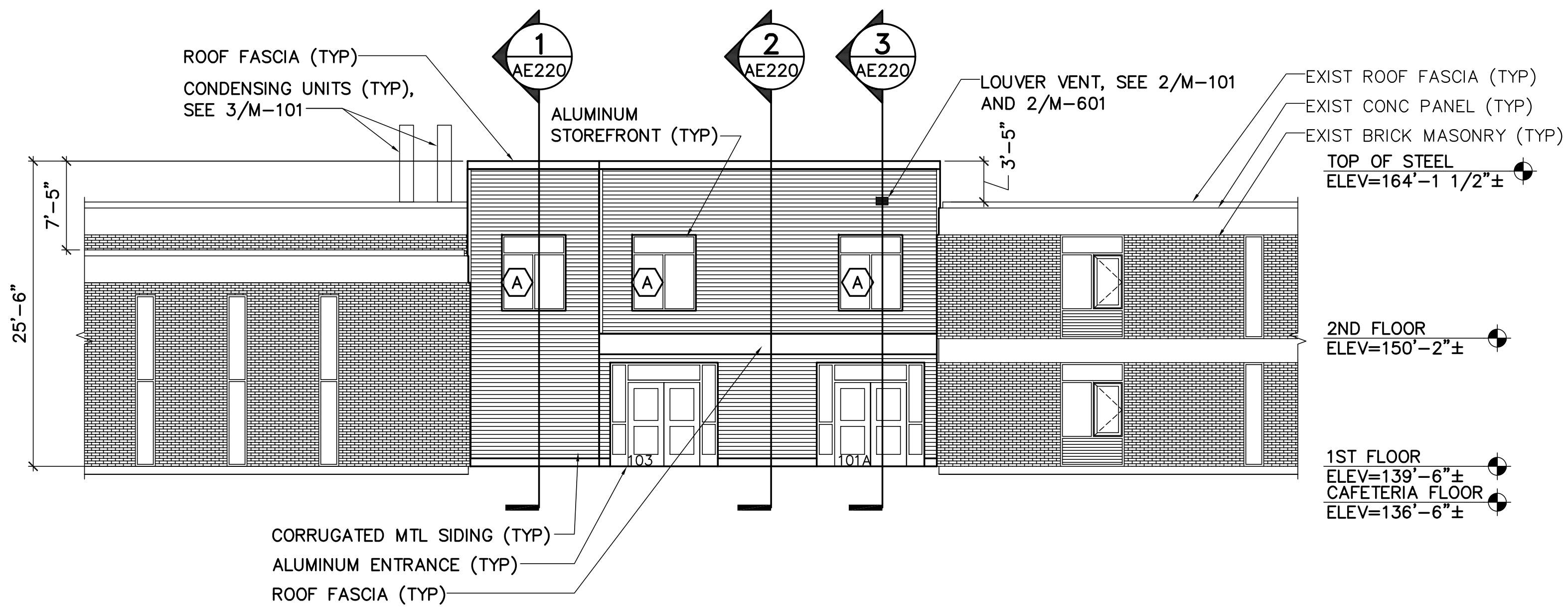
TGB
 CET JMC
 21602.06
 DESIGNED BY:
 DRAWN BY:
 CHECKED BY:
 PROJECT:

**REICHE ELEMENTARY SCHOOL
 PORTLAND SCHOOL DEPARTMENT**
 353 Cumberland Avenue
 Portland, ME 04102

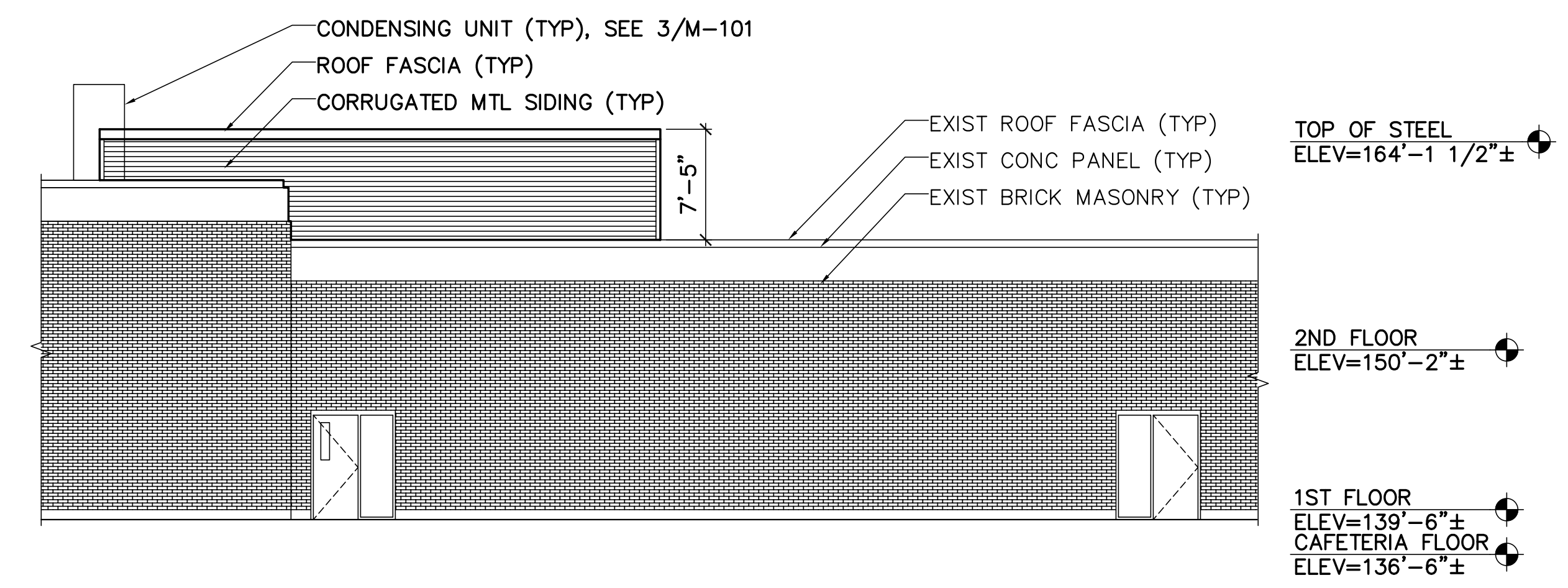
**REICHE ELEMENTARY
 ELEVATOR ADDITION**
 166 Brackett Street
 Portland, ME 04102

**PARTIAL
 BUILDING
 ELEVATIONS**

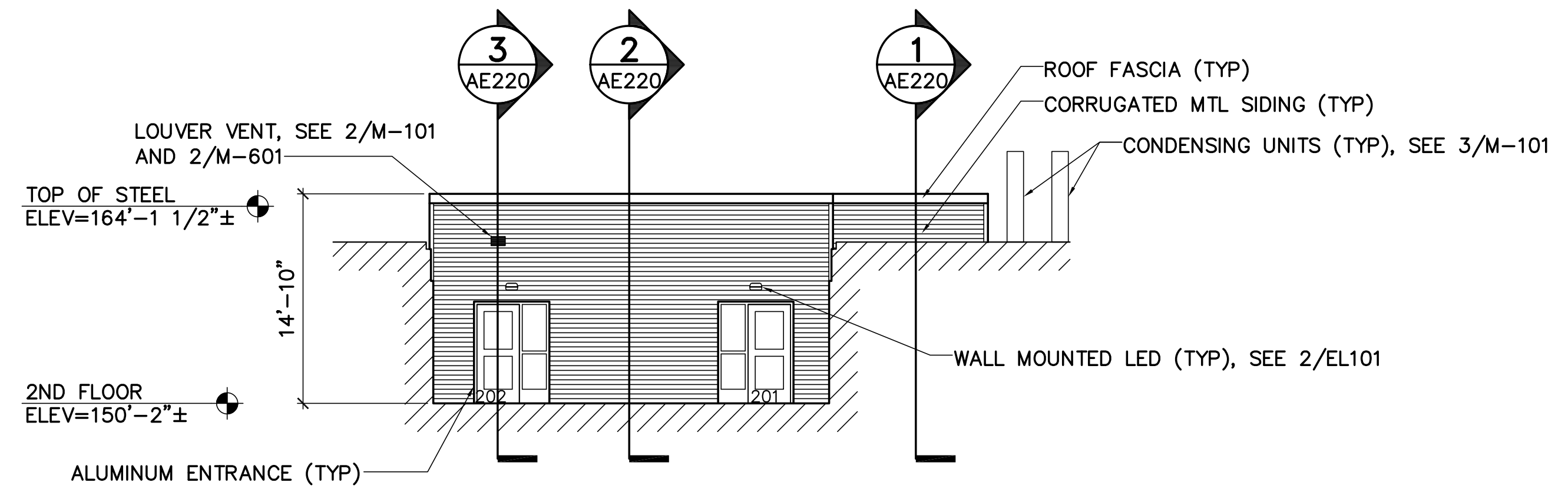
SCALE: AS NOTED
 DATE: 04-29-2016
 DWG.: AE201
 SHEET: 23 OF 40



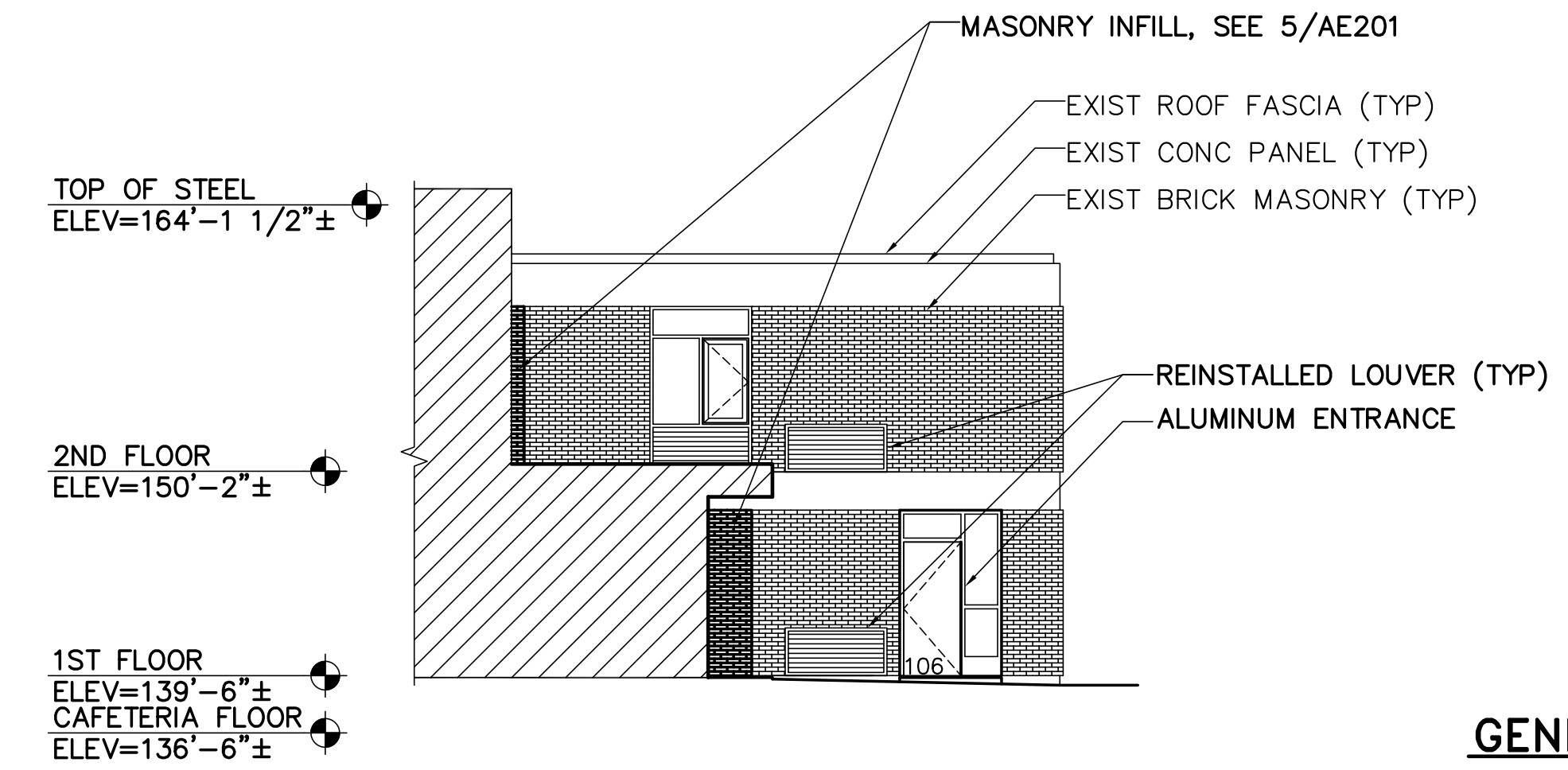
1 PARTIAL SOUTH ELEVATION
 AE101, AE120, AE201 SCALE: 1/8"=1'-0"



2 PARTIAL WEST ELEVATION
 AE101, 120, AE201 SCALE: 1/8"=1'-0"

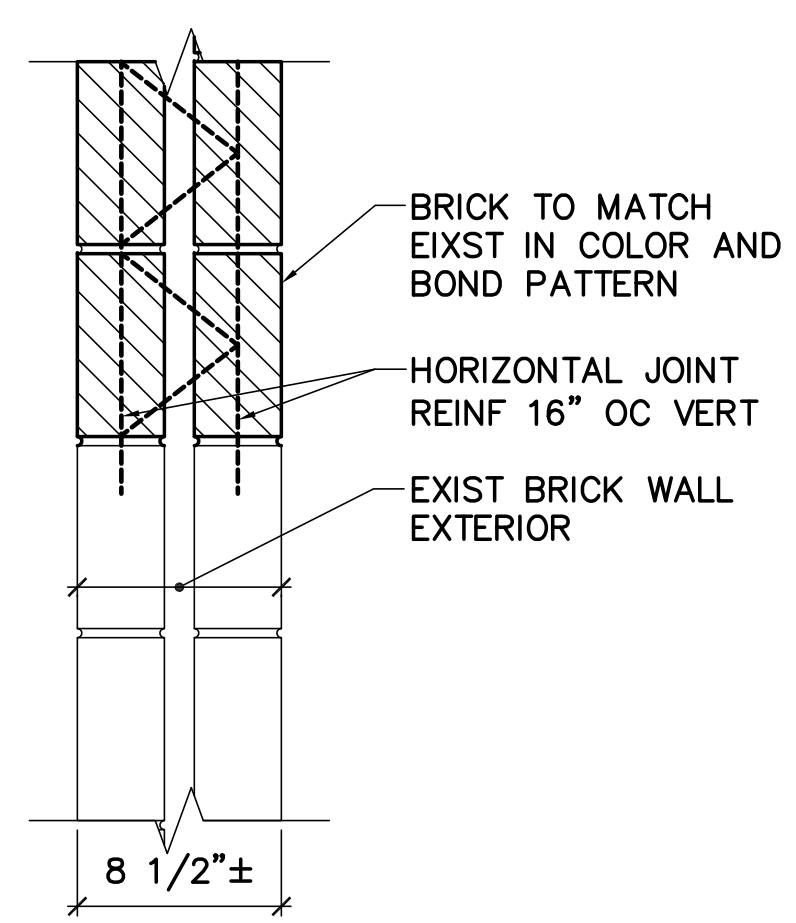


3 PARTIAL NORTH ELEVATION
 AE101, AE120, AE201 SCALE: 1/8"=1'-0"

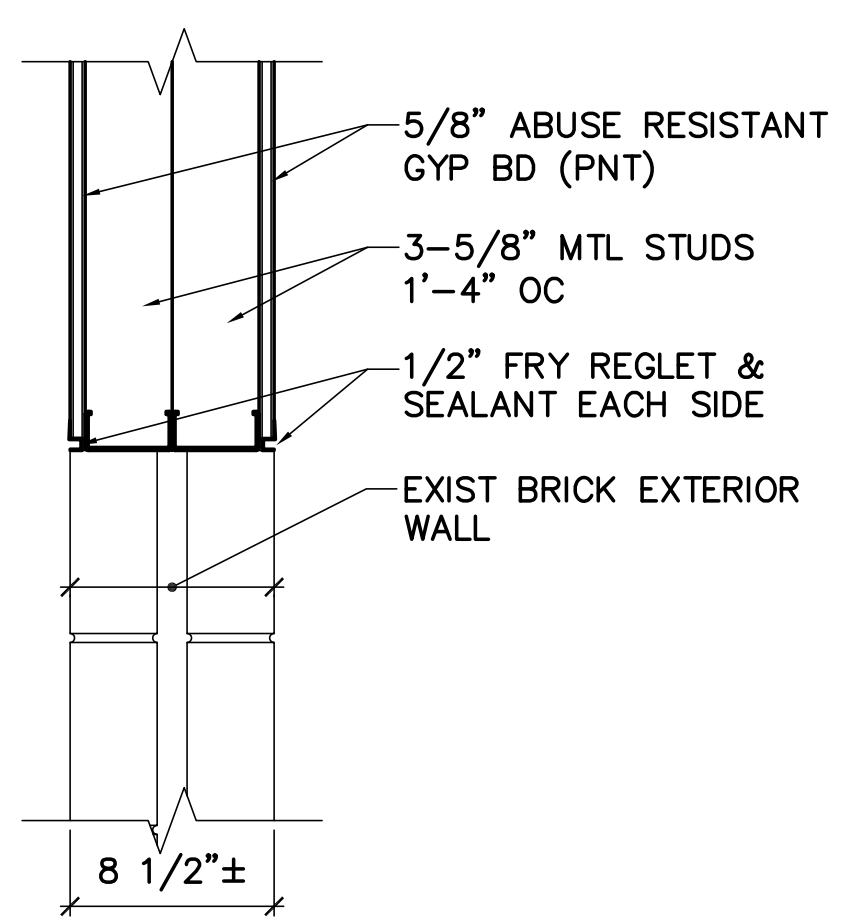


4 PARTIAL WEST COURTYARD ELEVATION
 AE101, 120, AE201 SCALE: 1/8"=1'-0"

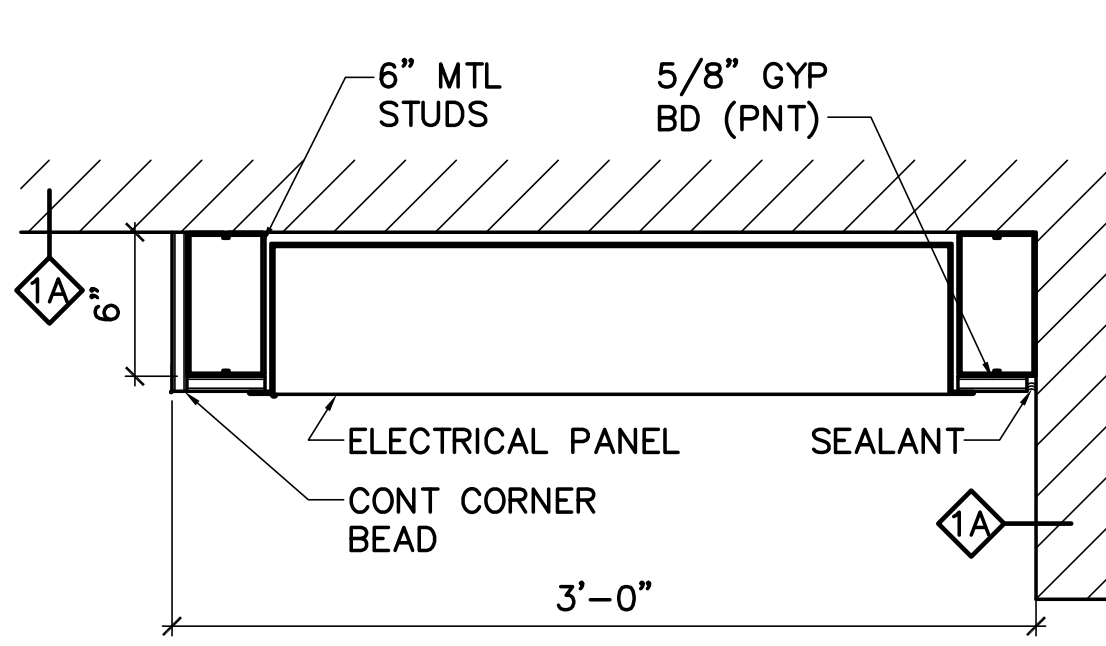
GENERAL SHEET NOTES:
 1. COORDINATE W/ STRUCTURAL, MECHANICAL, PLUMBING, AND ELECTRICAL DRAWINGS.



5 MASON WALL INFILL
 AE201 SCALE: 1-1/2"=1'-0"

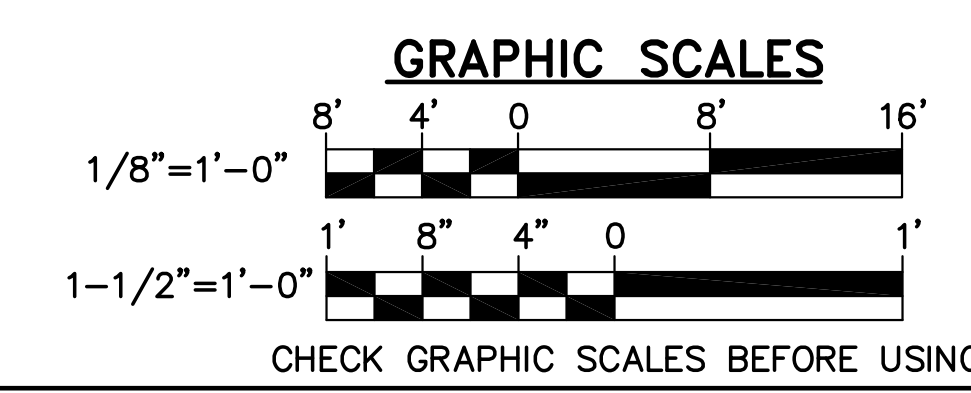
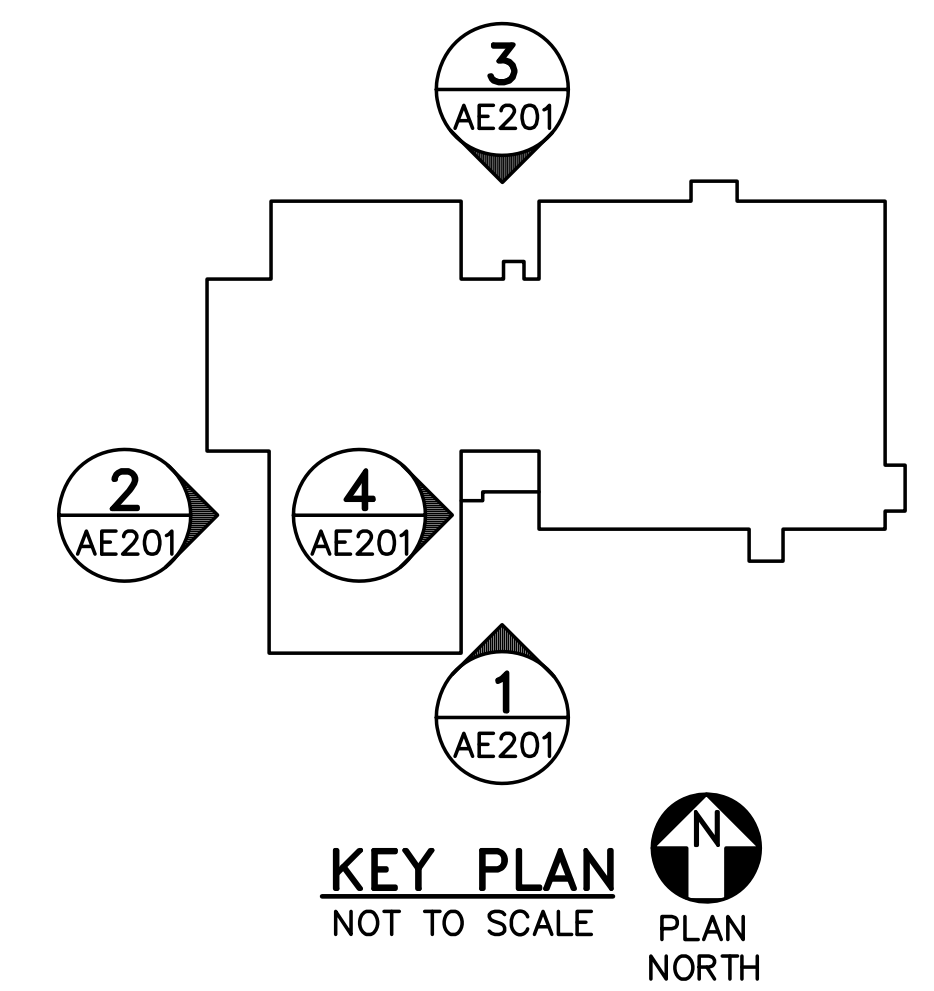


6 GYPSUM BOARD INFILL
 AE201 SCALE: 1-1/2"=1'-0"



7 PANEL ENCLOSURE
 AE201 SCALE: 1-1/2"=1'-0"

NOTE:
 PROVIDE INTERMEDIATE 6" METAL STUDS ABOVE AND BELOW PANEL OPENING, COORDINATE WITH ELECTRICAL DRAWINGS.



CHECK GRAPHIC SCALES BEFORE USING