

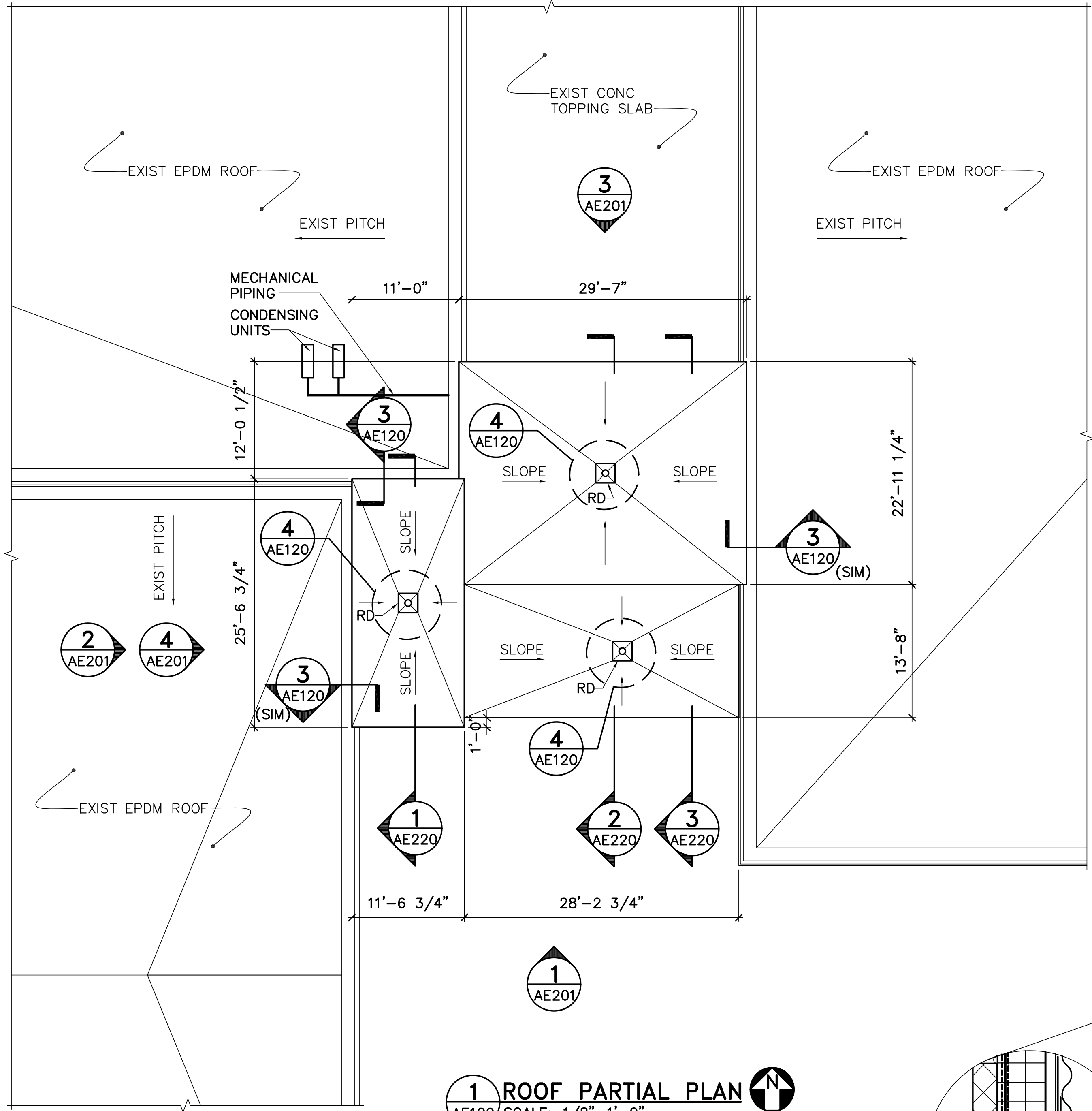
TGB
CET JMC
DESIGNED BY:
DRAWN BY:
CHECKED BY:
PROJECT: 21602.06

**REICHE ELEMENTARY SCHOOL
 PORTLAND SCHOOL DEPARTMENT**
 353 Cumberland Avenue
 Portland, ME 04102

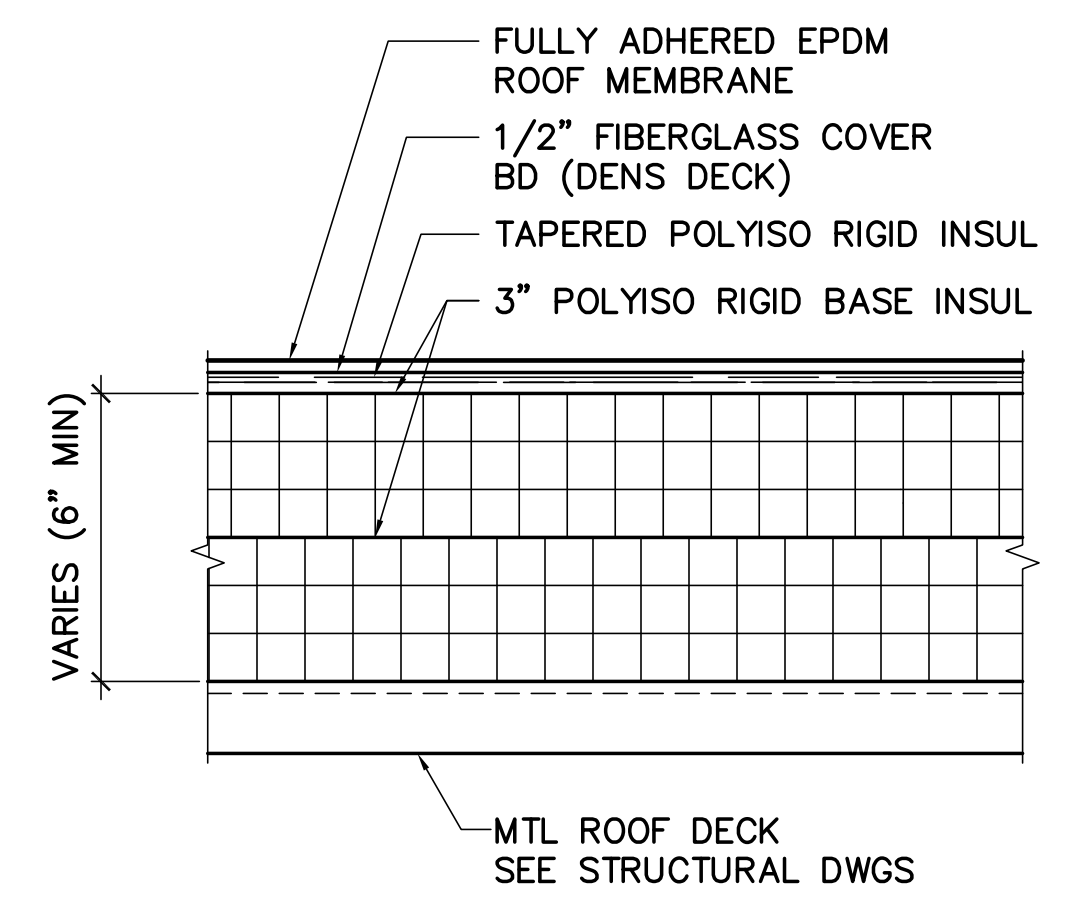
**REICHE ELEMENTARY
 ELEVATOR ADDITION**
 166 Brackett Street
 Portland, ME 04102

**PARTIAL ROOF
 PLAN AND
 DETAILS**

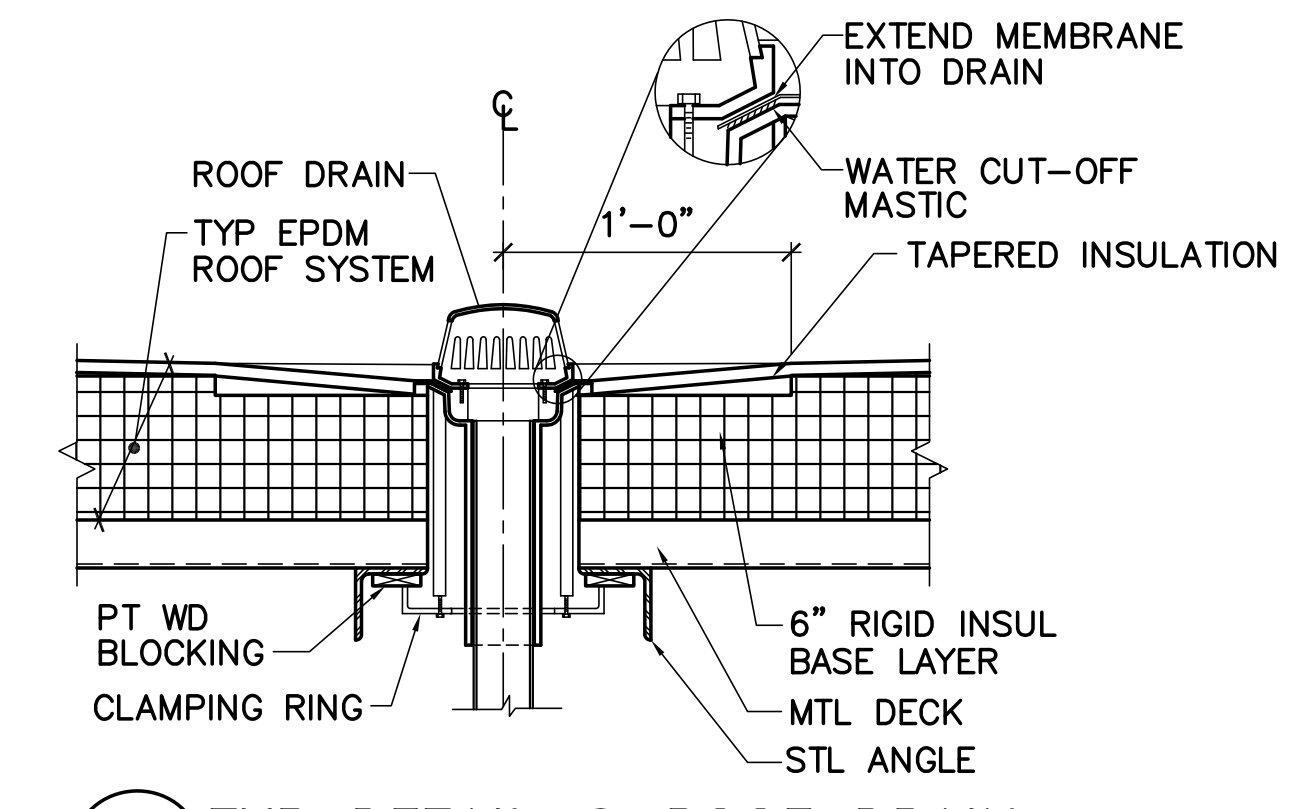
SCALE: AS NOTED
 DATE: 04-29-2016
 DWG.: **AE120**
 SHEET: **22** OF **40**



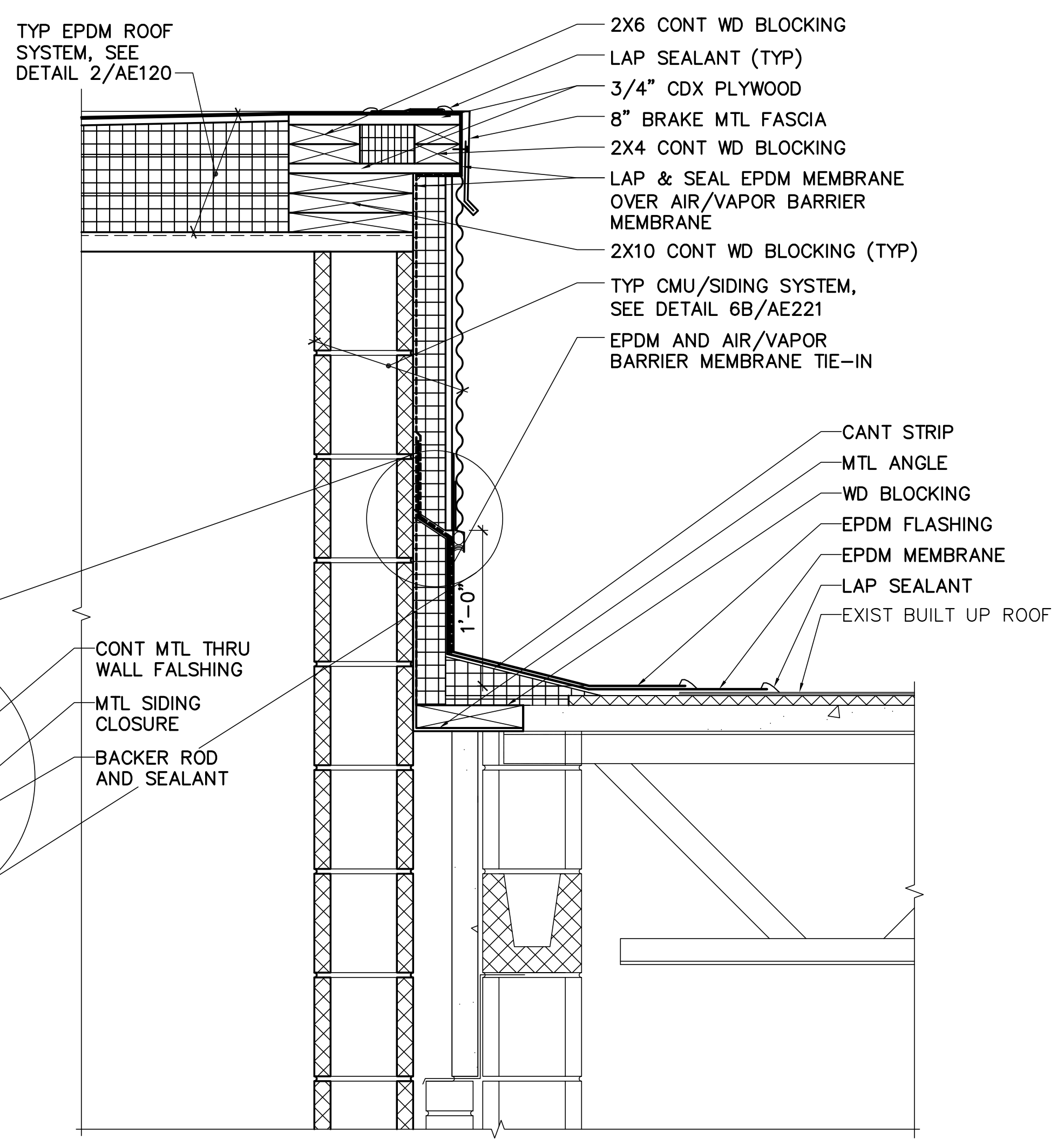
1 ROOF PARTIAL PLAN
 AE120 SCALE: 1/8"=1'-0"
 PLAN NORTH



2 TYP EPDM ROOF SYSTEM
 AE120 SCALE: 3"=1'-0"
 NOTE: PROVIDE R-38 (MINIMUM) RIGID INSULATION.

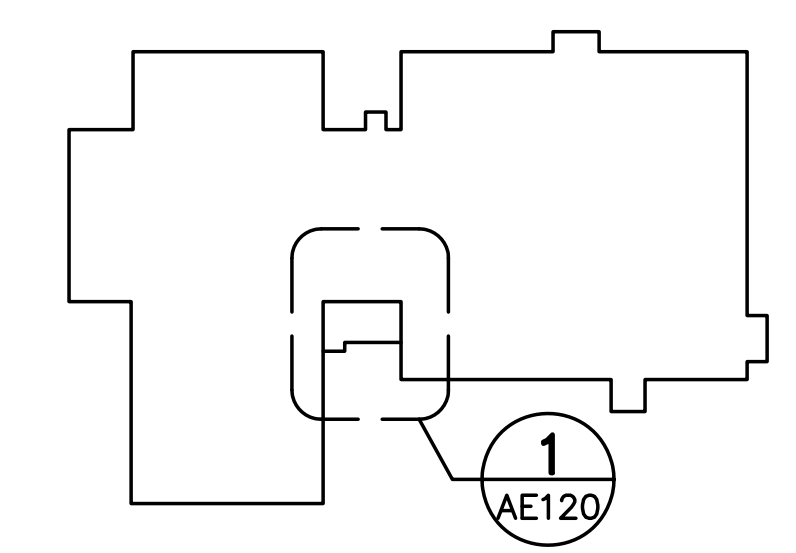


4 TYP DETAIL @ ROOF DRAIN
 AE120 SCALE: 1-1/2"=1'-0"



3 TYP ROOF EDGE DETAIL
 AE120, AE220, AE221 SCALE: 1-1/2"=1'-0"

GENERAL SHEET NOTES:
 1. COORDINATE W/ STRUCTURAL, MECHANICAL, PLUMBING, AND ELECTRICAL DRAWINGS



KEY PLAN
 NOT TO SCALE
 PLAN NORTH

