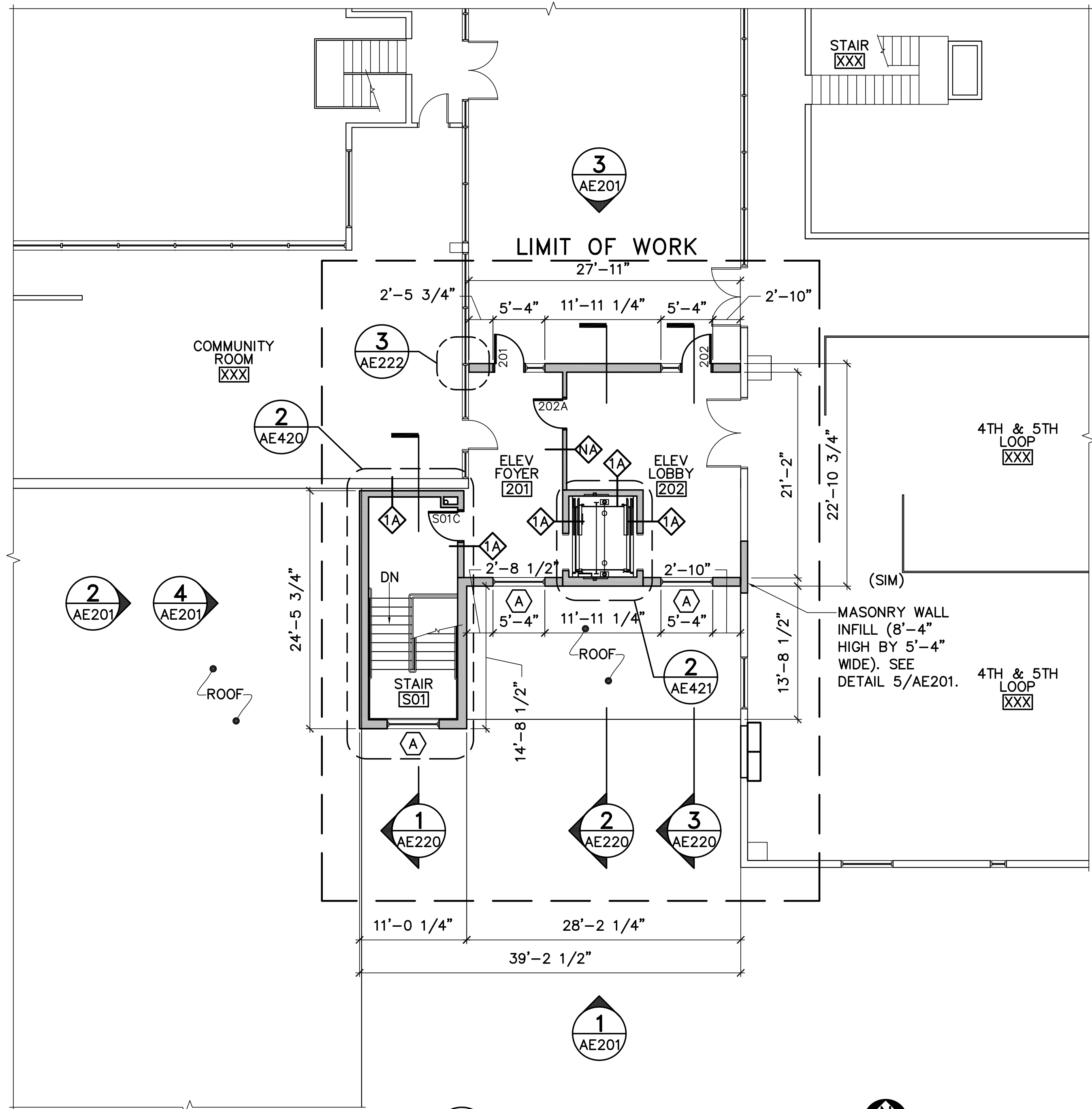
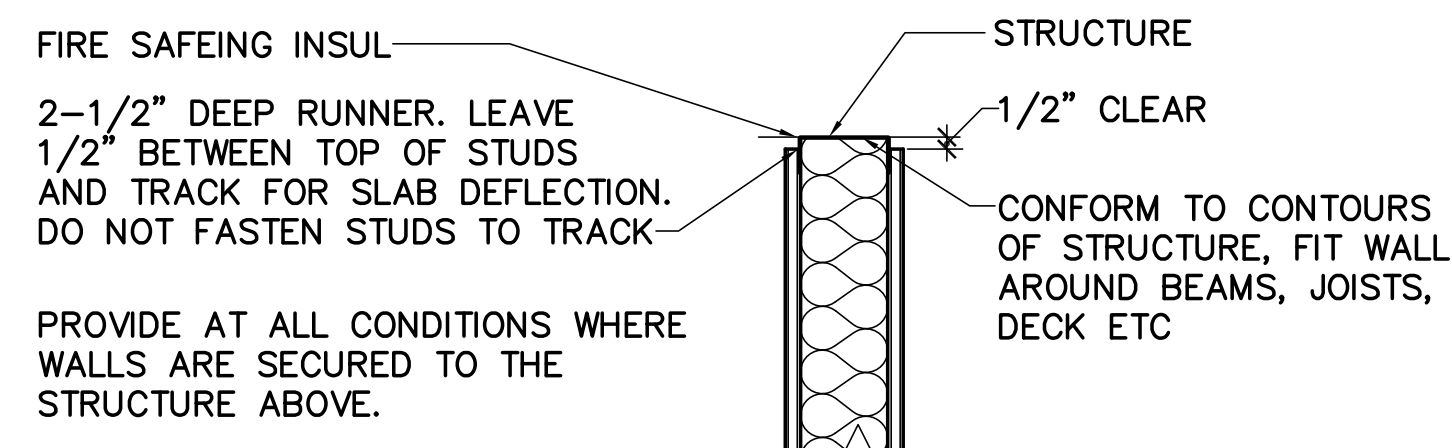


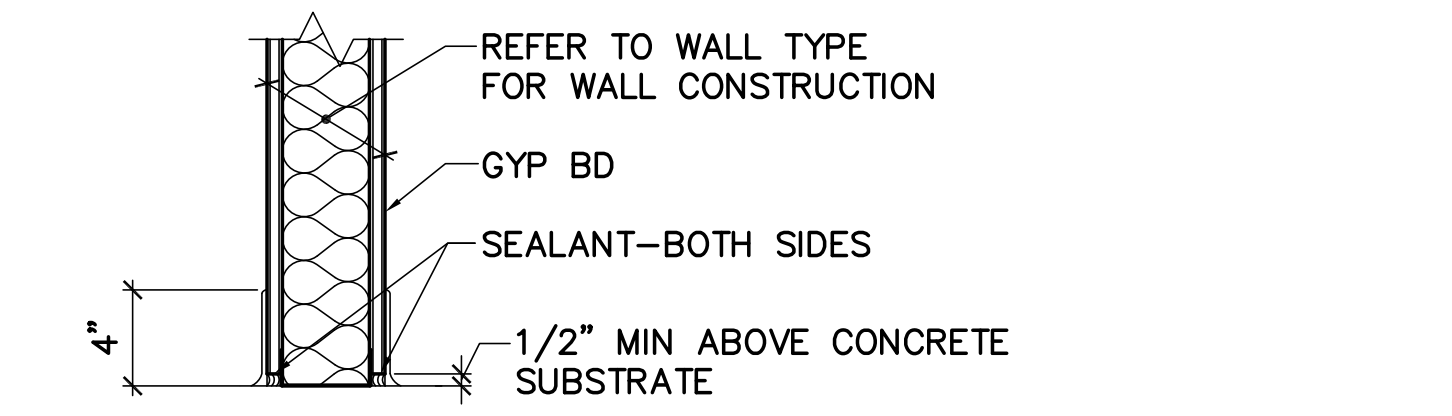
1 FIRST FLOOR PARTIAL PLAN
 AE101/AE101 SCALE: 1/8"=1'-0"
 PLAN NORTH



2 SECOND FLOOR PARTIAL PLAN
 AE101/AE101 SCALE: 1/8"=1'-0"
 PLAN NORTH

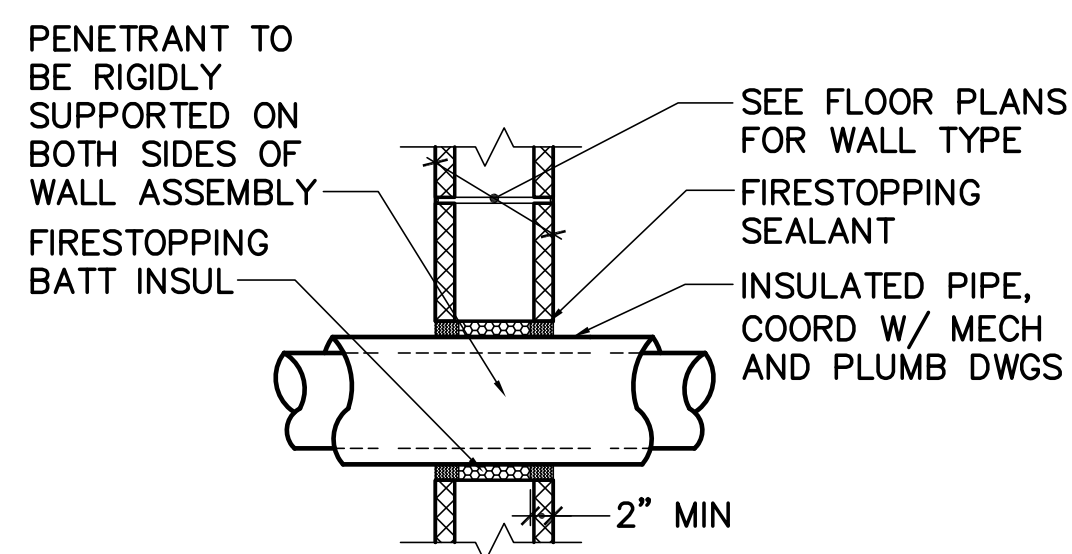


3 TYPICAL DEFLECTION CHANNEL DETAIL
 AE101/AE101 SCALE: NTS

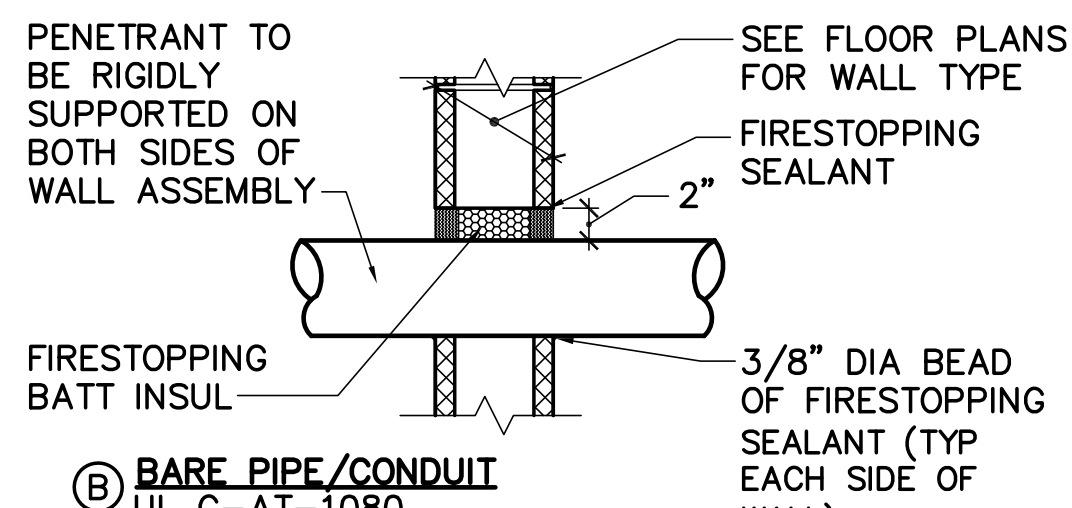


4 TYPICAL GYPSUM BOARD SILL DETAIL
 AE101/AE101 SCALE: NTS

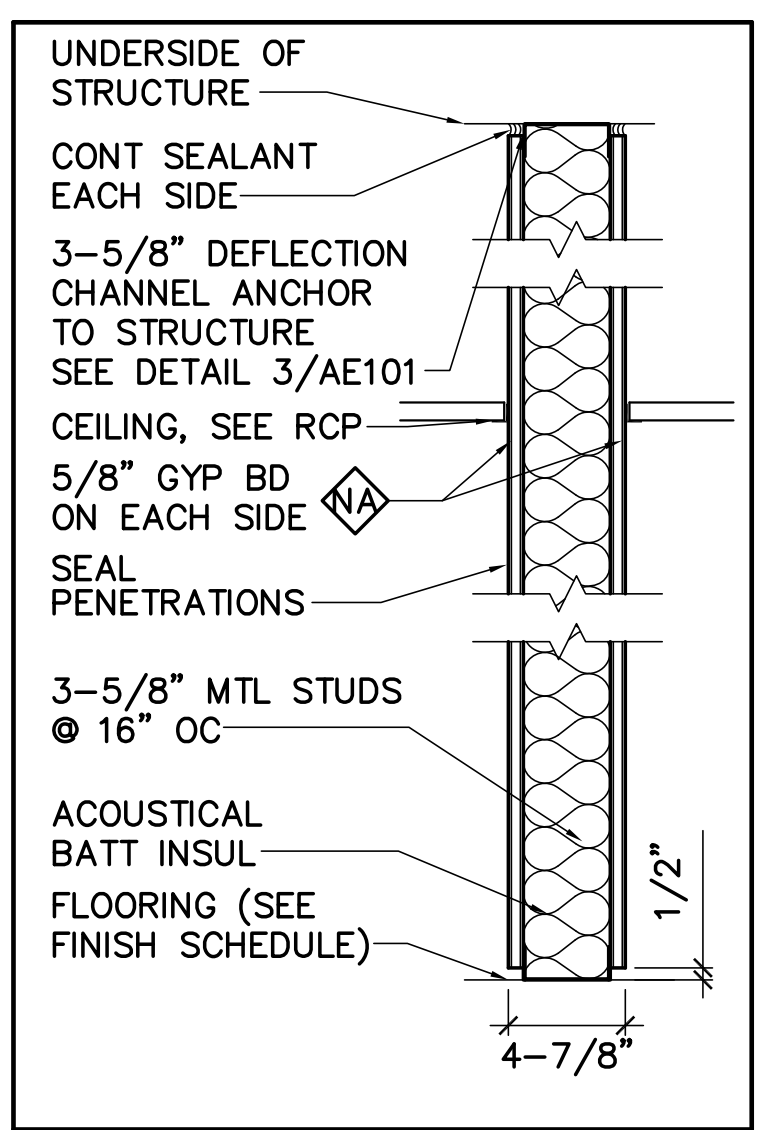
NOTE:
 SEALANT AT BASE OF RATED WALLS TO BE FIRE RATED SEALANT.



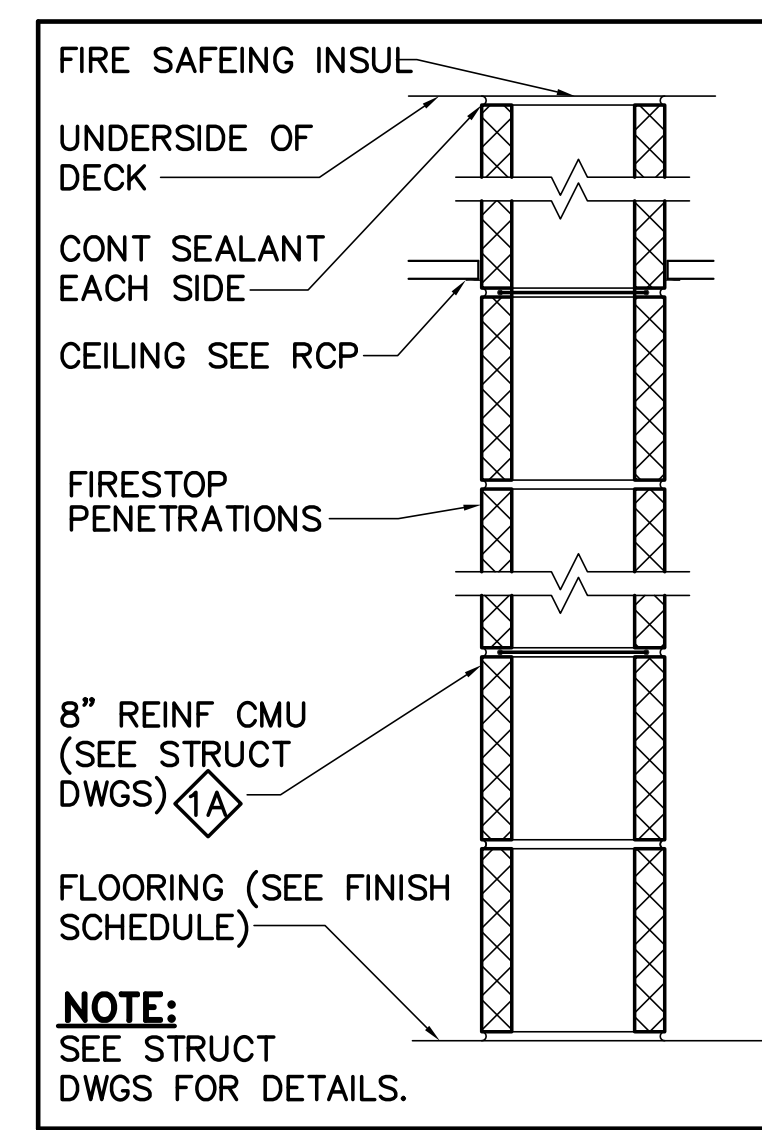
(A) INSULATED PIPE
 UL C-AT-5029



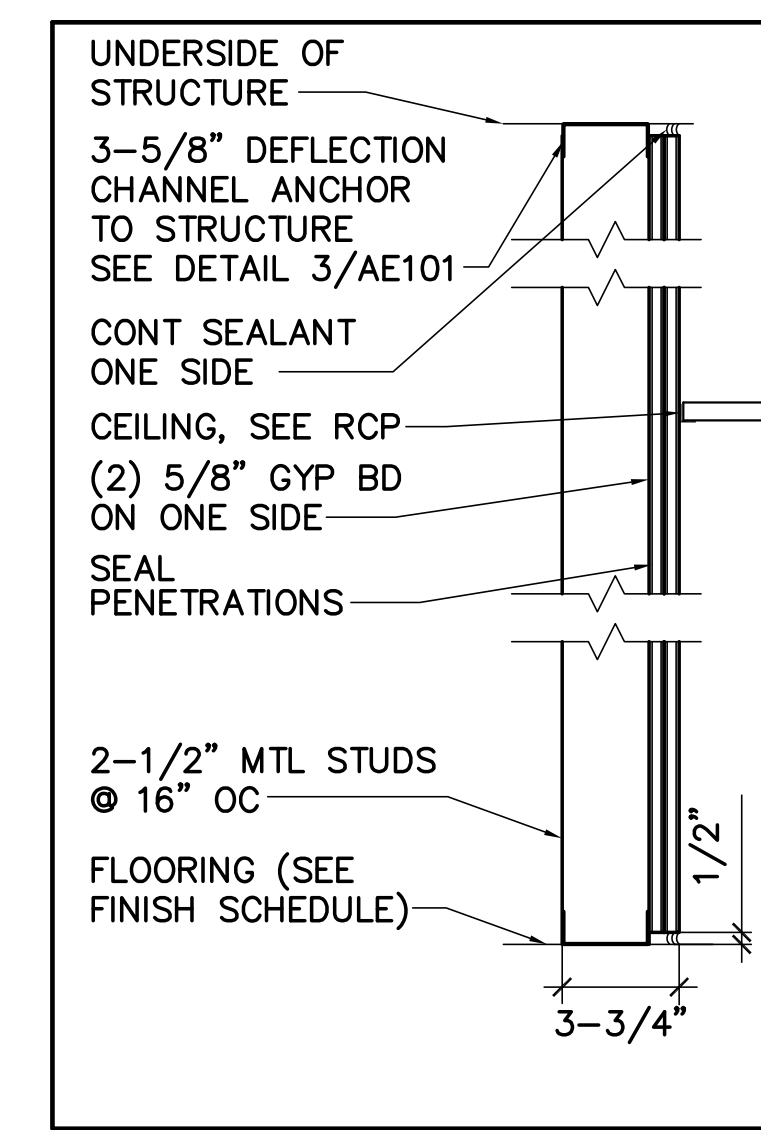
(B) BARE PIPE/CONDUIT
 UL C-AT-1080



3-5/8" MTL STUD FULL HGT 5/8" GYP BD EACH SIDE
 NA

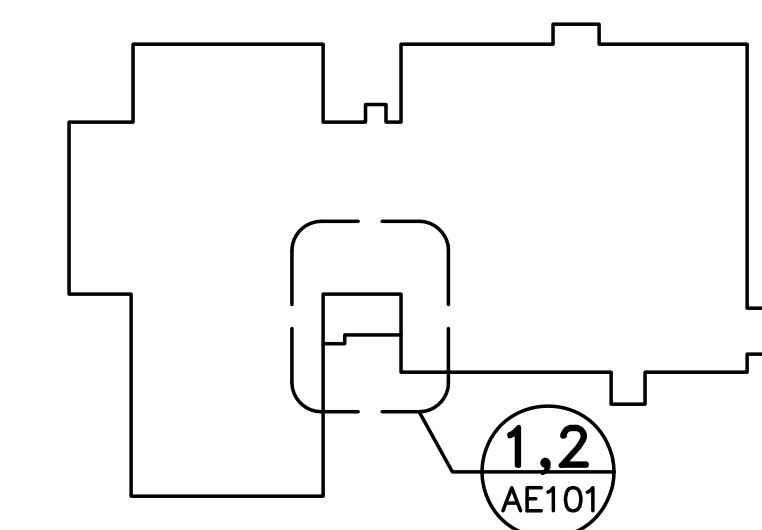


8" REINFORCED CMU 1 HOUR RATED UL U906
 1A

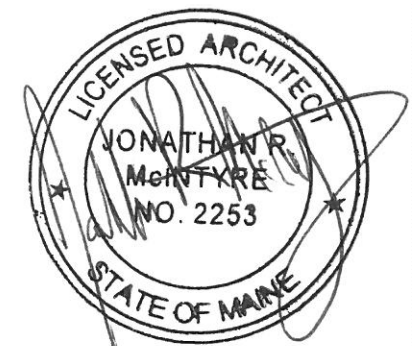
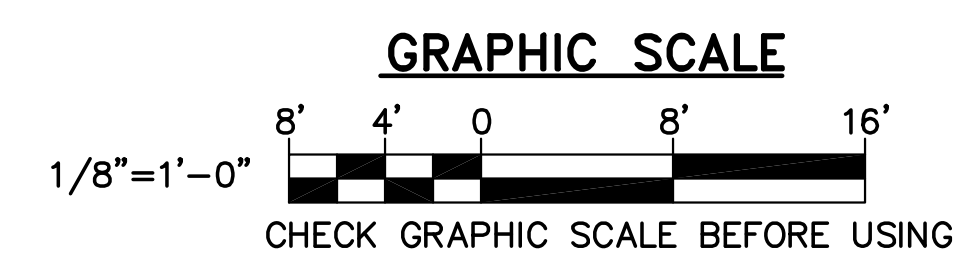


2-1/2" MTL STUD FULL HGT (2) 5/8" GYP BD ONE SIDE
 1B

GENERAL SHEET NOTES:
 1. COORDINATE W/ STRUCTURAL, MECHANICAL, PLUMBING, AND ELECTRICAL DRAWINGS



KEY PLAN
 NOT TO SCALE
 PLAN NORTH



TGB
 CET JMC
 DESIGNED BY:
 DRAWN BY:
 CHECKED BY:
 PROJECT: 21602.06

**REICHE ELEMENTARY SCHOOL
 PORTLAND SCHOOL DEPARTMENT**
 353 Cumberland Avenue
 Portland, ME 04102

**REICHE ELEMENTARY
 ELEVATOR ADDITION**
 166 Brackett Street
 Portland, ME 04102

**PARTIAL FIRST
 AND SECOND
 FLOOR PLANS
 AND DETAILS**

SCALE: AS NOTED
 DATE: 04-29-2016

DWG: **AE101**

SHEET: **21** OF **40**