

Window & door headers  
= 3-2x10's

30' roof trusses @24" o.c.—  
see manufacturer's dwg.  
(See separate PDF)

5" plywood sheathing w/clips

rubber roofing

2-2x6 top plate

H2.5T hangers

5" drywall w/FRP panels

1/2" drywall

R-50 fiberglass batt insulation

2x6 KD studs @ 16" o.c.

R-21 fiberglass batt insulation

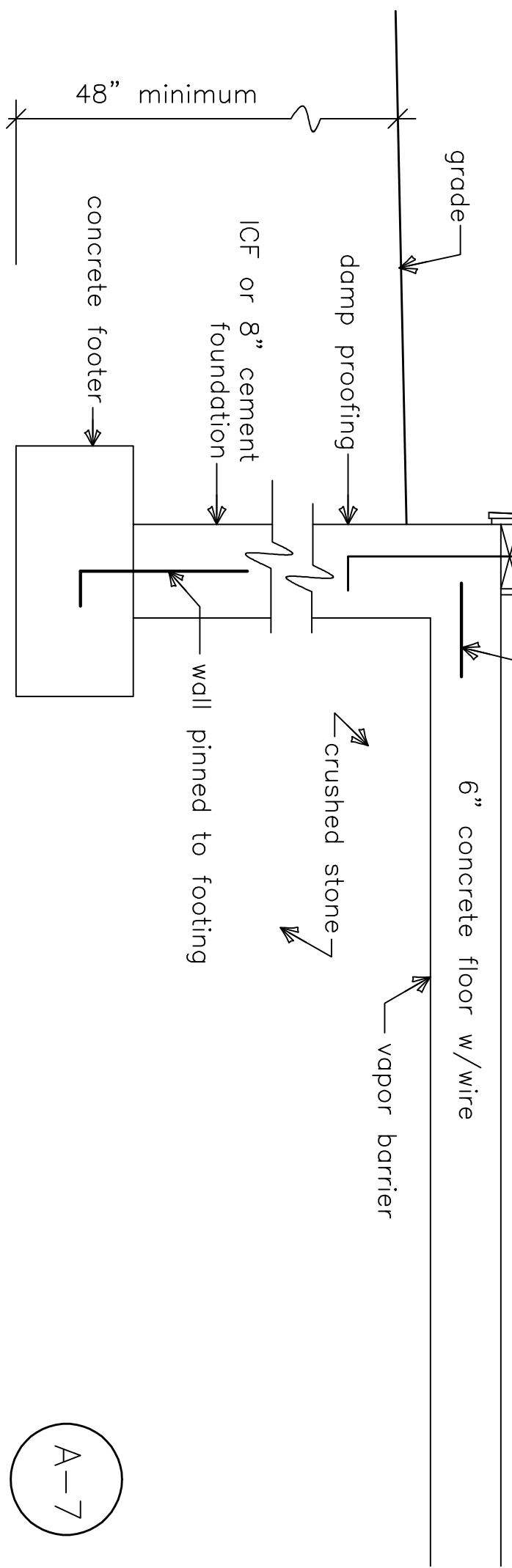
1/2" Zip Wall sheathing

fiber cement siding

1  
A-7

# TYPICAL BUILDING CROSS SECTION

Scale: 1" = 1'-0"



AURORA PROVISIONS  
64 Pine Street  
Portland, ME

A-7