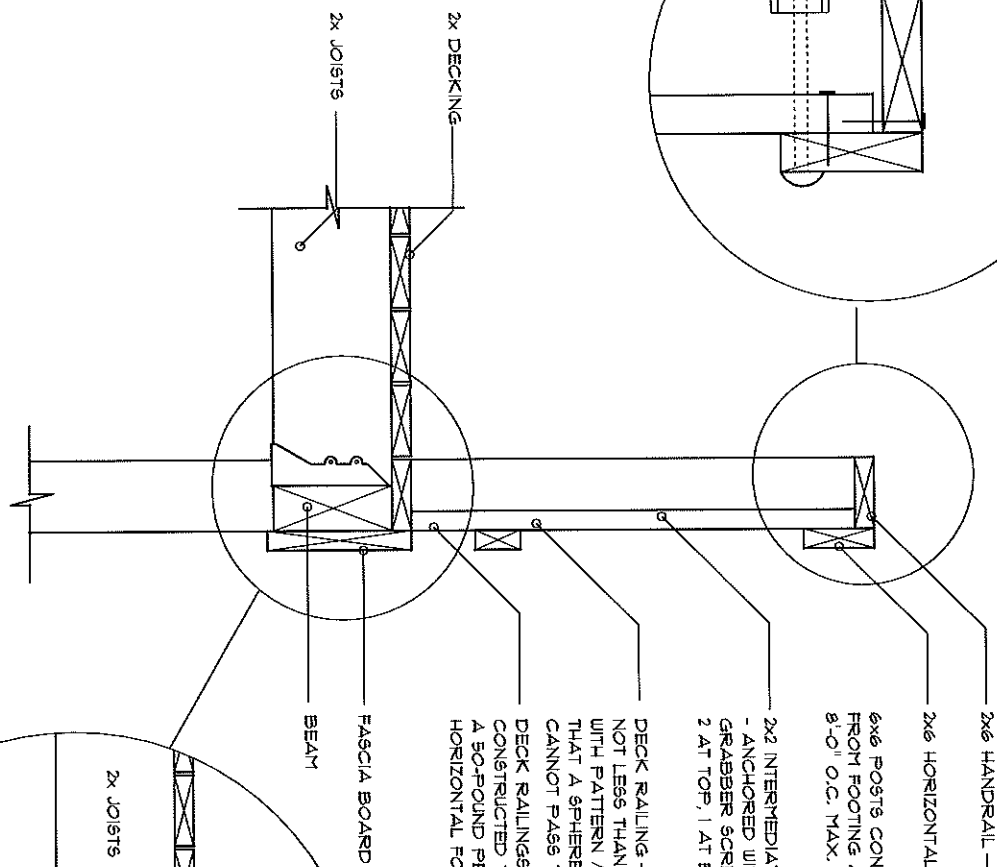
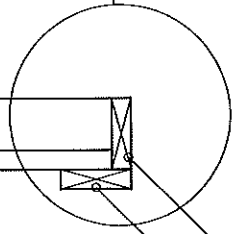
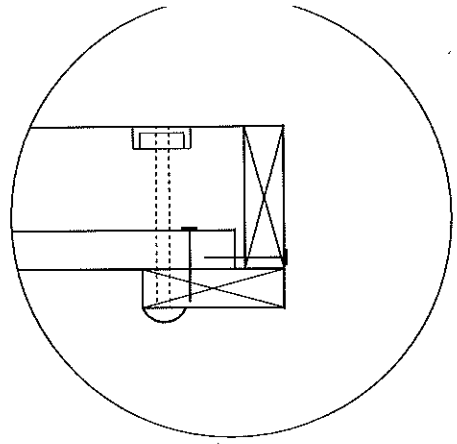


# 31 CUSHMAN ST.



2x6 HANDRAIL

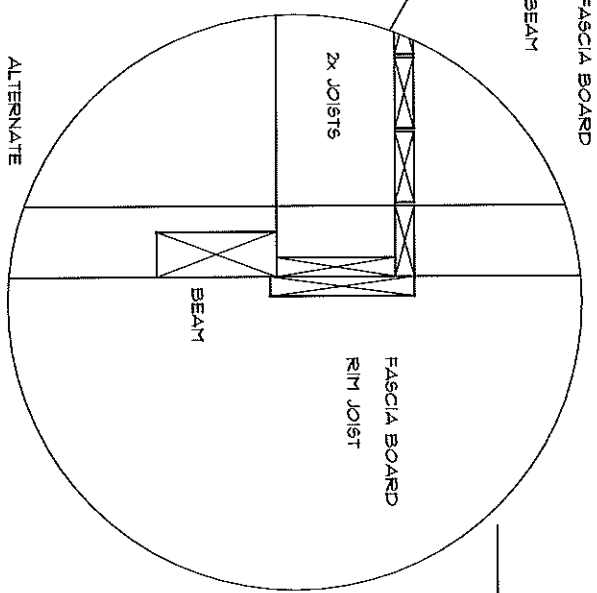
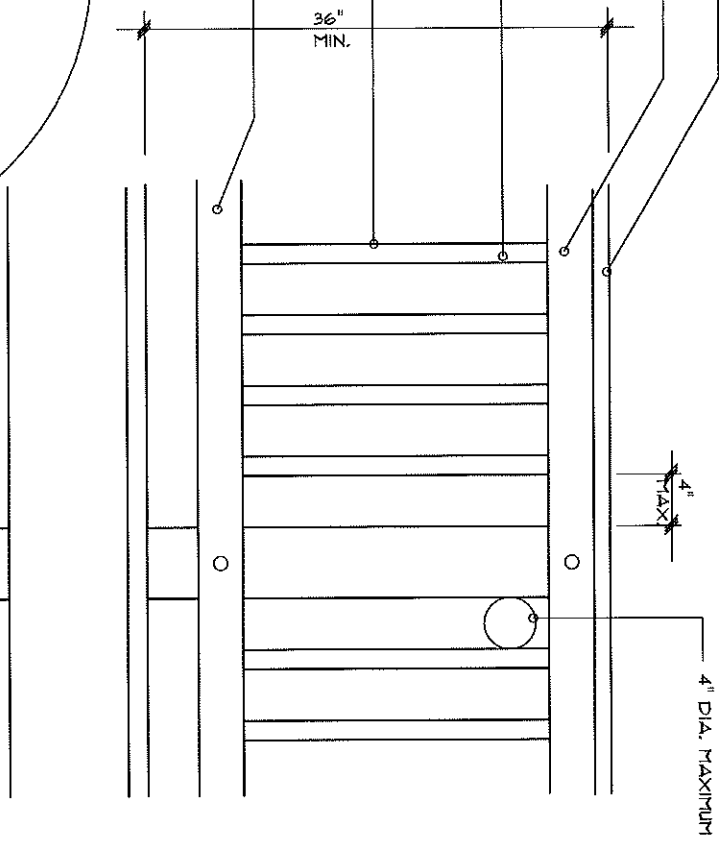
2x6 HORIZONTAL RAILING

6x6 POSTS CONTIN. FROM FOOTING AT 8'-0" O.C. MAX.

2x2 INTERMEDIATE RAILS - ANCHORED WITH GRABBER SCREWS - 2 AT TOP, 1 AT BOTTOM

DECK RAILING - NOT LESS THAN 3/8" IN HEIGHT WITH PATTERN / SPACING SUCH THAT A SPHERE 4" IN DIA. CANNOT PASS THROUGH

DECK RAILINGS SHALL BE CONSTRUCTED TO WITHSTAND A 50-POUND PER FOOT HORIZONTAL FORCE.



ALTERNATE FRAMING DETAIL

## DECK AND RAILING A

## DECK SECTION

SCALE=1/4" = 1'-0"