

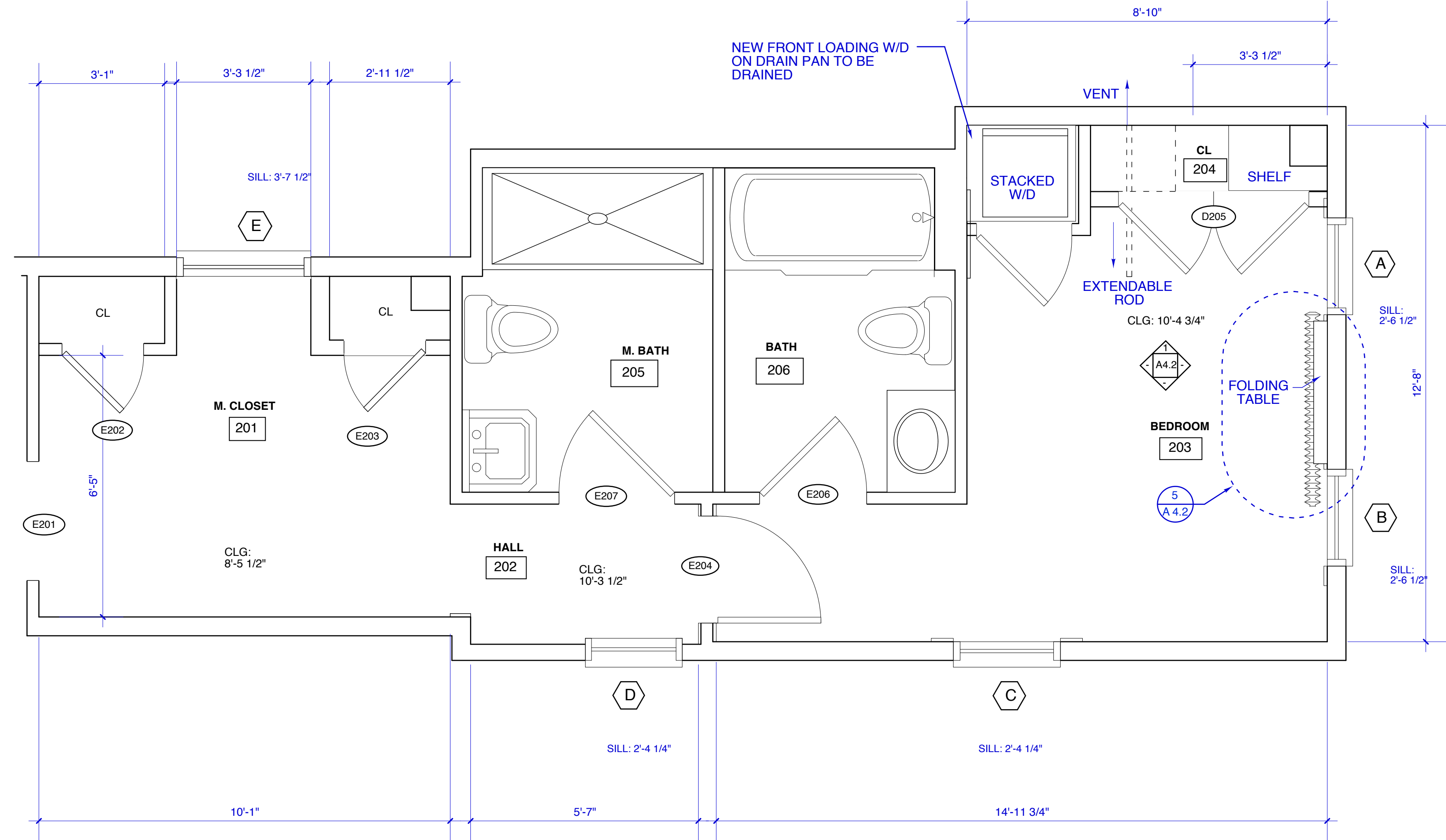
1 WEST LAUNDRY ELEVATION
SCALE: 1" = 1'-0"

WINDOW	EXISTING	OPERATION	SIZE	SILL HEIGHT
A	YES	DOUBLE HUNG	2'-4 1/2" X 5'-6 1/4"	2'-6 1/2" ABOVE FF
B	YES	DOUBLE HUNG	2'-4 1/2" X 5'-6 1/4"	2'-6 1/2" ABOVE FF
C*	YES	DOUBLE HUNG	2'-7 1/2" X 5'-7 1/2"	2'-4 1/4" ABOVE FF
D*	YES	DOUBLE HUNG	2'-4 1/2" X 5'-7 1/2"	2'-4 1/4" ABOVE FF
E	YES	CASEMENT	3'-3 1/2" X 4'-9"	3'-8 1/2" ABOVE FF

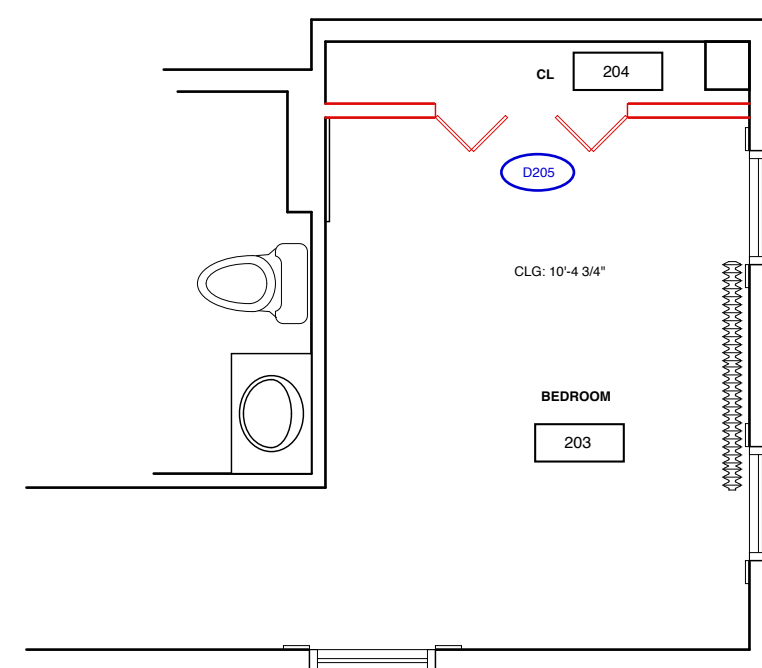
* OLD WINDOWS THAT MAY REQUIRE UPGRADING

DOOR	EXISTING	OPERATION	SIZE	NOTES
201	YES	OPENING	2'-11" X 7'-0"	-
202	YES	LEFT HAND REVERSE	2'-0 X 6'-8"	-
203	YES	RIGHT HAND REVERSE	2'-0 X 6'-8"	-
204	YES	RIGHT HANDLING	3'-0 X 6'-8"	-
205	NEW	RIGHT HAND REVERSE	2'-4" X 6'-8"	-
206	YES	LEFT HANDLING	2'-7 1/2" X 6'-6"	-
207	YES	RIGHT HANDLING	2'-10" X 6'-8"	-

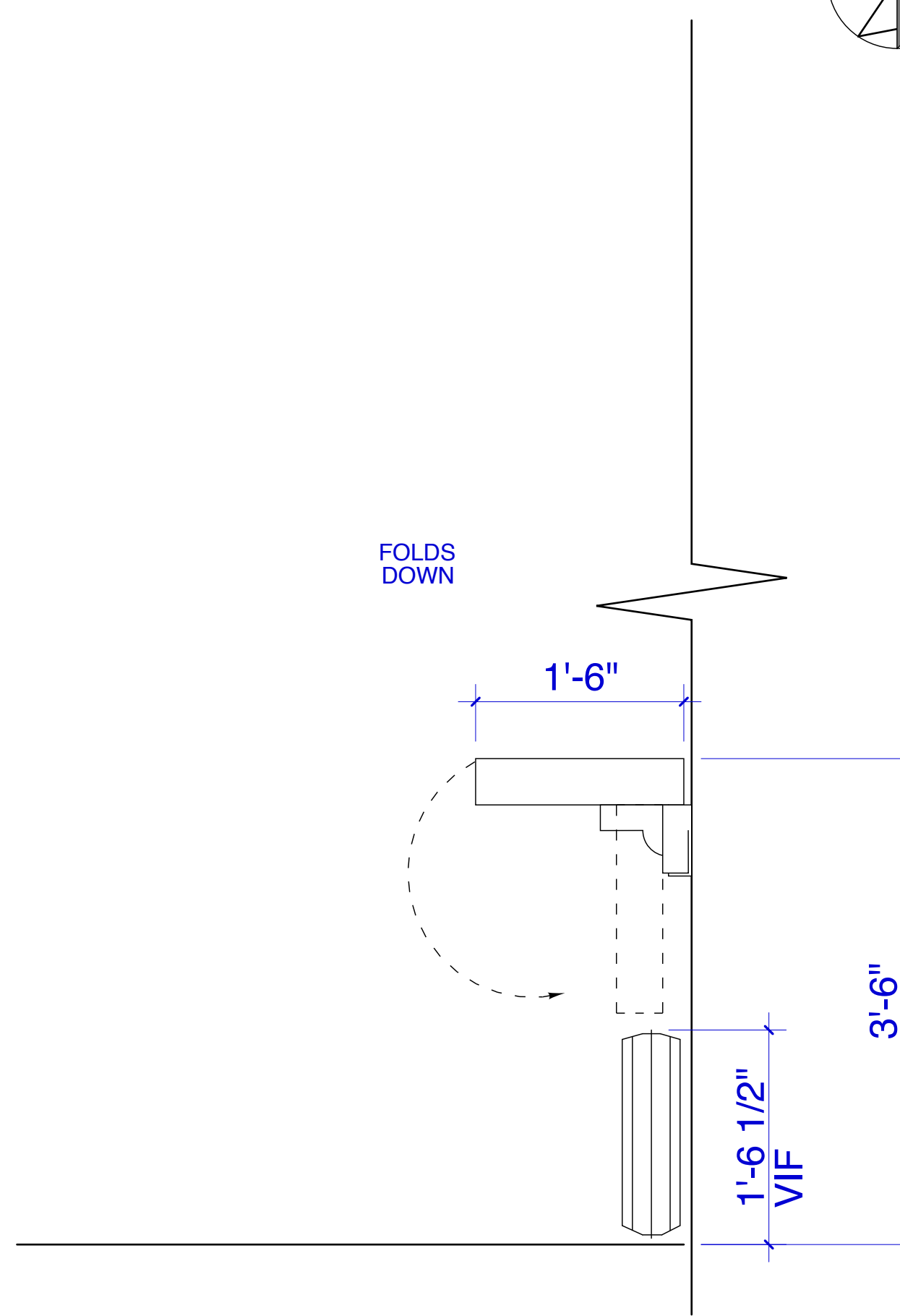
3 LAUNDRY ROOM & CLOSET W/D SCHEDULE
SCALE: N/A



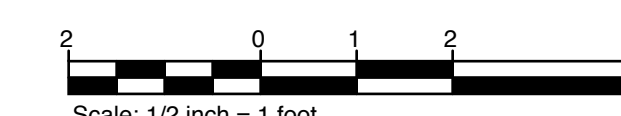
2 PROPOSED LAUNDRY ROOM PLAN
SCALE: 1/2" = 1'-0"



4 LAUNDRY ROOM DEMOLITION PLAN
SCALE: 1/4" = 1'-0"



5 FOLDING TABLE DETAIL
SCALE: 1/2" = 1'-0"



Copyright Richard Renner | Architects

RRA
REGISTERED ARCHITECT
RICHARD K. RENNER
NO. 30296
SHERBORN
MA
INCORPORATED BY STATE

Richard Renner | Architects
Sherborn, MA
Portland, ME
207.773.9699
508.651.2385

Consultants:
STRUCTURAL ENGINEERING

CONTRACTOR:

Torrey Residence
Renovations and Additions

19 Pine Street
Portland, ME 04102

PROGRESS PRINT 6.26.15

Torrey Residence
Laundry Floor Plan Proposed

Drawn by: SI
File Name: 15.00-1.00_Torrey_A4-2 Interior Elevations_Laundry
Project No. 2015-1.00
Date: 04/20/2015
Revised: 6/26/2015

Torrey Residence
A4.2