

Submittal Data: 18RLXFZH
Inverter Driven Heat Pump

18,000 BTU Multi Zone System

Job Name: _____

Date: _____

Location: _____

Approval: _____

Engineer: _____

Construction: _____

Submitted to: _____

Unit #: _____

Submitted by: _____

Drawing #: _____

Reference: _____

General Features

- Blue fin heat exchanger
- Extra long piping allotment
- Wired and wireless remote controllers
- Automatic airflow adjustment
- Economy operation
- 5- Years Parts, 7- Years Compressor Warranty (See Warranty Statement for details)
- 24 hr. Timer
- Base pan heater
- Extra low temperature heating

Model Information

Condenser..... AOU18RLXFZH
Evaporator*1..... (ASU) / (ARU) / (AGU) / (AUU) 7.9,12RLF(1)
Connectable indoor units..... 2
Total capacity range..... 14,000 – 21,000 Btu/h

Electrical..... 208/230V AC 1ph-60Hz
Available Voltage Range..... 208/230 +/- 10%
Minimum Circuit Ampacity..... 19.7 A
Max Fuse Size..... 20 A
Max Starting Current..... 7.9 A

Input Power

Cooling..... (non-duct) 1.33 kW / (ducted) 1.45 kW / (mix) 1.39 kW
Heating..... (non-duct) 1.70 kW / (ducted) 1.79 kW / (mix) 1.74 kW

Current

Cooling..... (non-duct) 5.8 A / (ducted) 6.4 A / (mix) 6.1 A
Heating..... (non-duct) 7.5 A / (ducted) 7.9 A / (mix) 7.7 A

Capacity

Nominal Cooling..... 18,000 Btu/h
Min-Max Cooling..... 6,100 – 21,000 Btu/h
Nominal Heating..... 22,000 Btu/h
Min-Max Heating..... 6,800 – 24,400 Btu/h

Compressor

..... Rotary (inv x1)
Motor Output..... 1,100 W
Refrigerant..... R410a
Charge..... 4 lbs. 3 oz
Oil..... RB68

Fan Motor

(Condenser) Type: DC Propeller x1
(Condenser) Motor Output..... 100 W
(Evaporator) Type: DC..... (wall-mount) Cross flow
(compact cassette) Turbo
(ducted) Sirocco
(floor) Cross flow x2

(Evaporator) Motor Output..... (wall) 30W-42W (compact cassette) 54W (ducted) 80-81W
Heat Exchanger..... (floor) 16W

Dimensions
(H x W x D) in. (mm)..... 31-7/16 x 35-7/16 x 1-7/16 (798x900x36.38)
Fin Pitch..... 20 FPI
Rows x Stages..... 2 x 38
Pipe Type (Material)..... Copper
Fin Type (Material)..... Aluminum (Blue fin)



Operation Temperature Range

Cooling..... 14°F - 115°F (-10°C - 46°C)
Heating..... -15°F - 75°F (-26°C - 24°C)

Efficiency

SEER*2..... (wall-mount) 21.5 (duct) 19 (mix) 20.3
EER (cooling)..... (wall-mount) 13.5 Btu/W (duct) 12.4 Btu/W (mix) 13 Btu/W
COP (heating)..... (wall-mount) 3.79 W/W (duct) 3.60 W/W (mix) 3.70 W/W
HSPF (heating)..... (wall-mount) 10.3 (duct) 9 (mix) 9.7

Enclosure

(condenser)
Material..... Painted galvanized steel
Color..... Beige (10 YR 7.5/1.0 NN)

Sound Pressure Level

Condenser..... 48 dB(A)

Dimensions

H x W x D
Condenser
Net in. (mm)..... 32-11/16 x 35-7/16 x 13 (830x900x330)
Gross in. (mm)..... 38-3/16 x 41-5/16 x 17-1/2 (970x1,050x445)

Connection Pipe

Liquid..... 1/4" x2
Gas..... 3/8" x2
Method (Liquid/Gas)..... Brazing
Max Length (Pre-charge)..... 164ft. (50m) / (98 ft. {30m})
Max Height Difference..... 49 ft. (15m)

Weight

Condenser..... 134 lbs. (61 kg)
Evaporators..... (wall-mount) 19 lbs. - 31 lbs.
(compact cassette) 33 lbs.
(ducted) 37 lbs. - 49 lbs.
(floor) 31 lbs.

Accessories

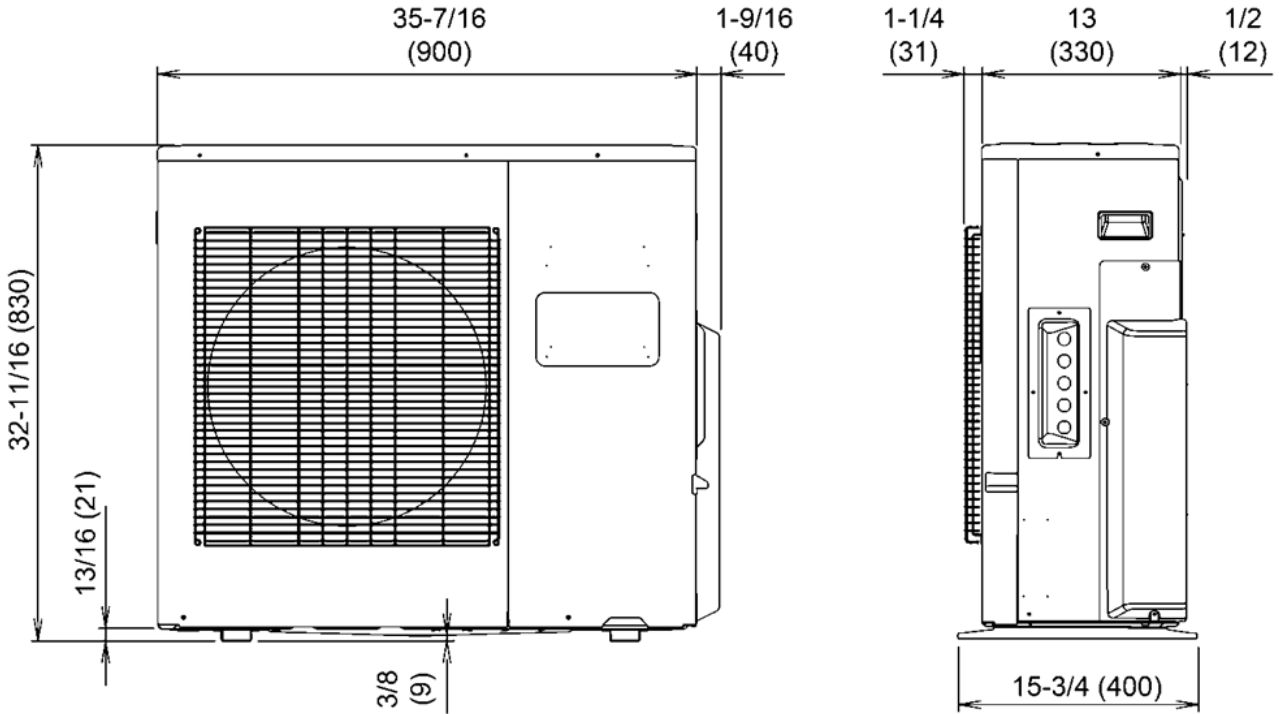
Wired Remote Controller..... UTY-RVNUM
Wired Remote Controller..... UTY-RNNUM
Simple Remote Controller..... UTY-RSNUM

*1 Reference brochure for approved combinations. *2 Test conditions are based on AHRI 210/240. Note: Specifications are based on the following conditions. Cooling: Indoor temperature of 80°F (26.7°C) DB/67°F (19.44°C) WB, and outdoor temperature of 95°F (35°C) DB/75°F (23.9°C) WB. Heating: Indoor temperature of 70°F (21.11°C) DB/59°F (15.°C) WB, and outdoor temperature of 47°F (8.33°C) DB/43°F (6.11°C) WB. Pipe length: 24ft. (7.5m). Height difference: 0ft. (0m) (Outdoor unit – indoor unit)



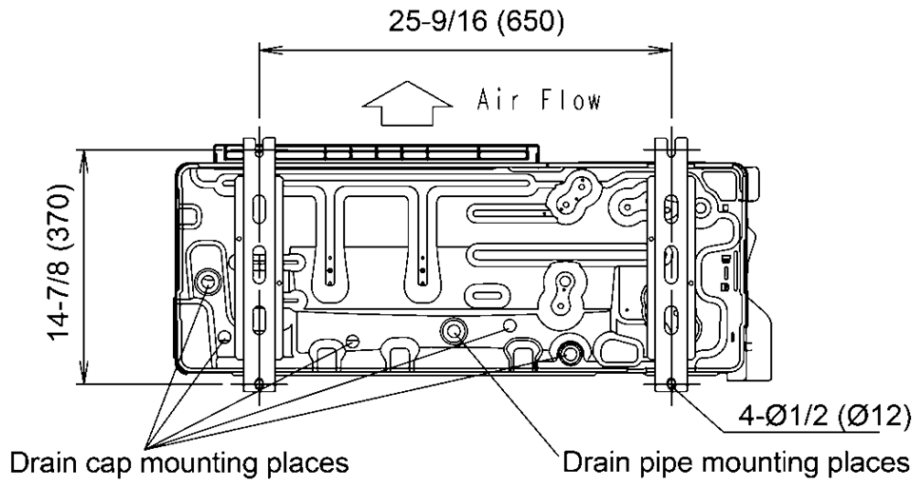
Dimensions: 18RLXFZH

[Unit: in. (mm)]



Front view

Side view



Bottom view

Submittal Data: ASU9RLF1

Job Name: _____ Location: _____
 Purchaser: _____
 Engineer: _____
 Submitted To: _____ For: Reference Approval Construction
 Submitted By: _____
 Unit Designation: _____ Schedule No. _____ Model No.: _____

Capacities:

Voltage/Frequency/Phase	208-230/60/1
Available Voltage Range	187-253VAC
Cooling	9,000 BTU/h
Outdoor Design Temp. <i>F° DB/WB</i>	95/75
Heating	12,000 BTU/h
Outdoor Design Temperature <i>F° DB/WB</i>	47/43
CFM Cooling - <i>H/ M/ L/ Q</i>	441/376/282/182
CFM Heating - <i>H/ M/ L/ Q</i>	441/376/306/194
Noise Level Cooling <i>db (A) - H/ M/ L/ Q</i>	43/40/32/21
Noise Level Heating <i>db (A) - H/ M/ L/ Q</i>	43/38/33/22
Weight	24 lbs.

Refrigerant Piping:*

Discharge Vapor Line (O.D.)	1/4 in.
Suction (O.D.)	3/8 in.

Standard Features:

- ◆ Minimum Heat
- ◆ Five year parts warranty
- ◆ Digital wireless remote control
- ◆ Auto Louver: Up/Down
- ◆ Apple Catechin / Ion Deodorizing Filters
- ◆ Sleep Timer
- ◆ Auto Restart/ Reset
- ◆ 24 hour timer
- ◆ Quiet Mode
- ◆ Dry mode
- ◆ Refrigerant R410A

*Piping lengths vary by outdoor unit. See outdoor unit submittal sheet for detailed specifications.

OUTLINE AND DIMENSIONS

