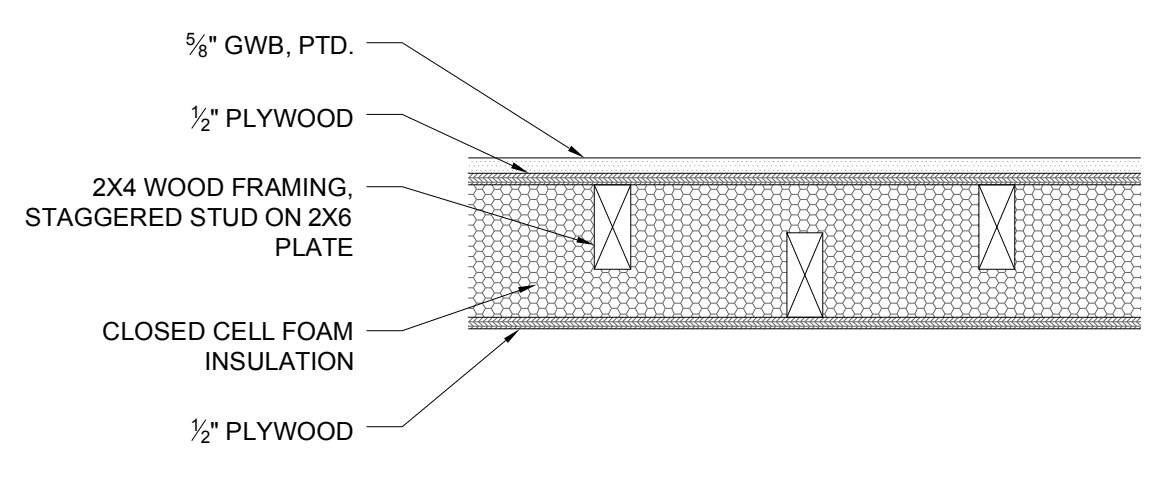
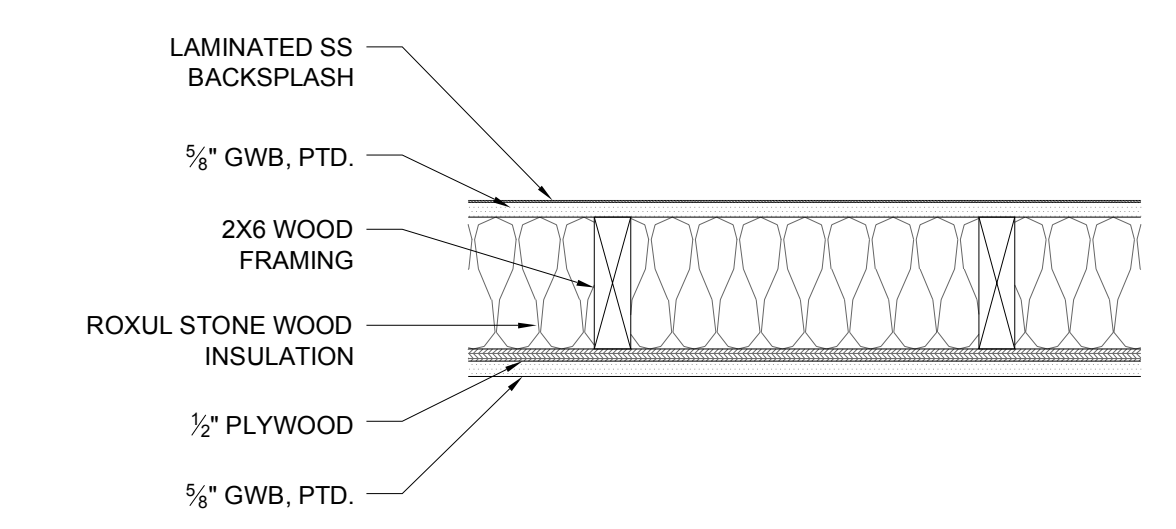


5 PARTITION TYPE 1
1 1/2" = 1'-0"



6 PARTITION TYPE 2
1 1/2" = 1'-0"



7 PARTITION TYPE 3
1 1/2" = 1'-0"

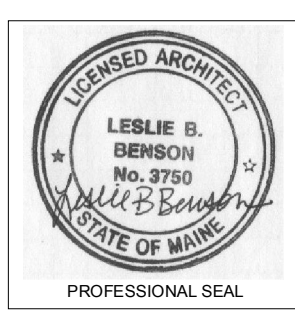
NOTE: SEE SHEET A3.0 BUILDING SECTIONS FOR TYPICAL ROOF AND FLOOR ASSEMBLY.

1 WALL SECTION
1" = 1'-0"

2 WALL SECTION
1" = 1'-0"

3 WALL SECTION
1" = 1'-0"

4 WALL SECTION
1" = 1'-0"



CONSULTANT

STATUS: PERMIT SET
NOT FOR CONSTRUCTION
ISSUE DATE: 7.11.14

PROJECT NO: 2014-100