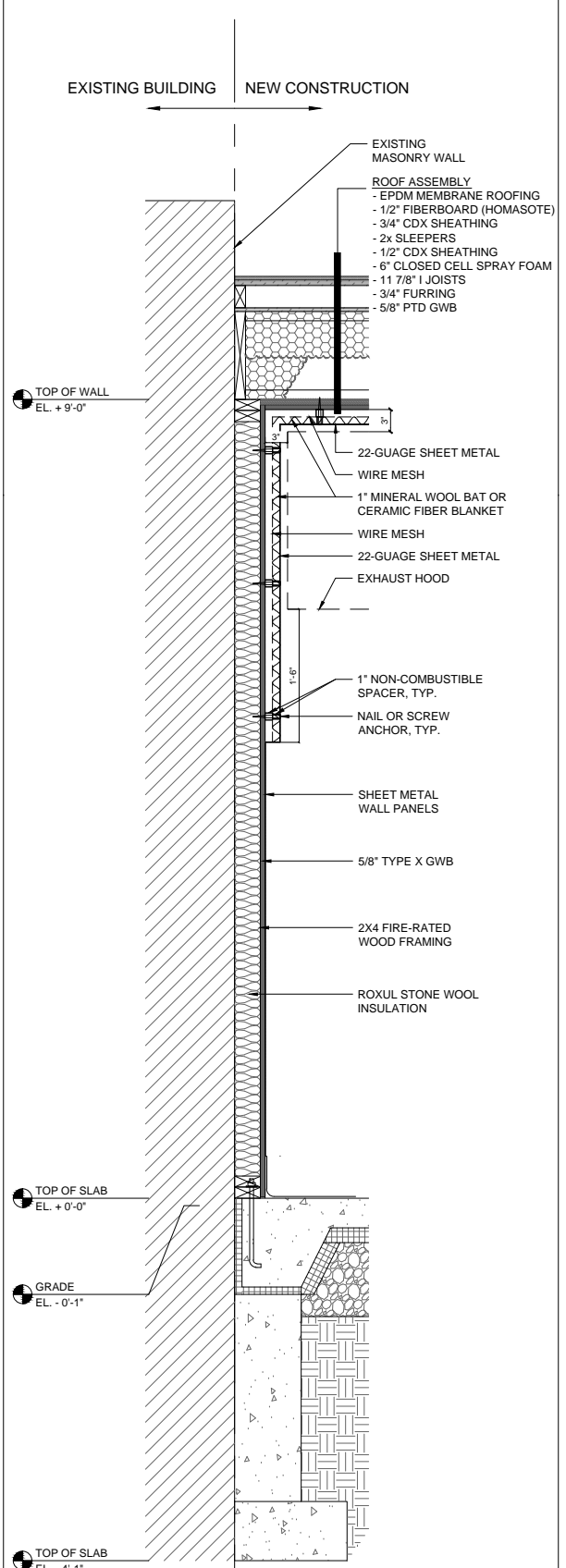
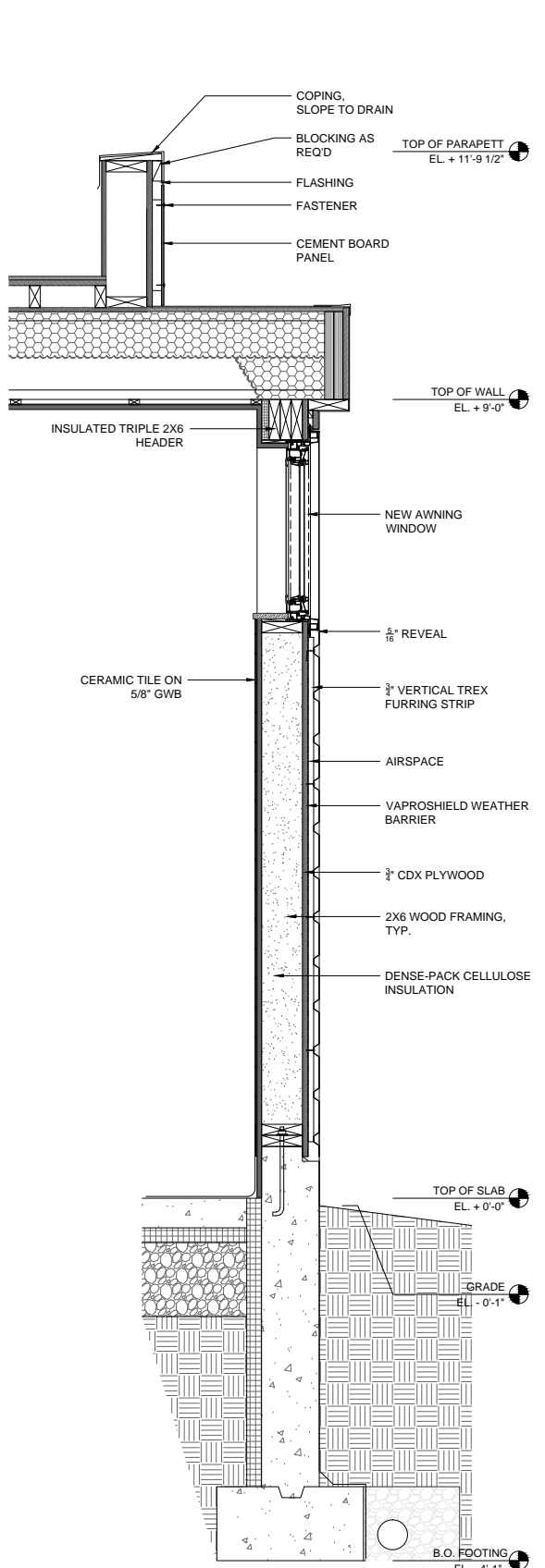


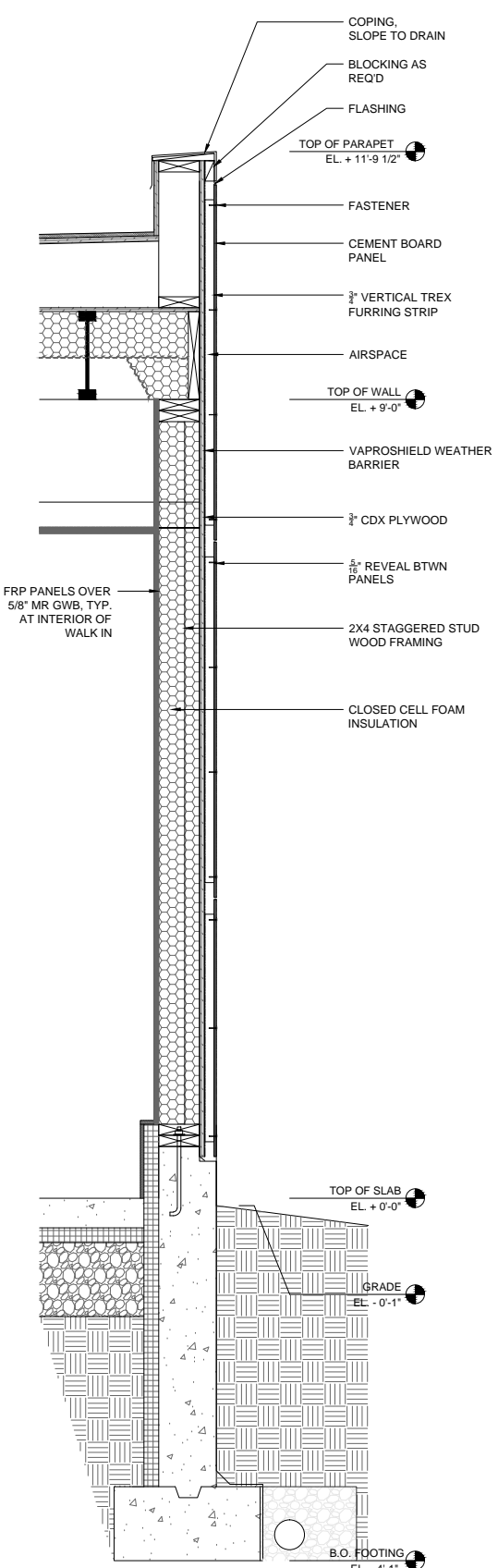
1 WALL SECTION
1" = 1'-0"



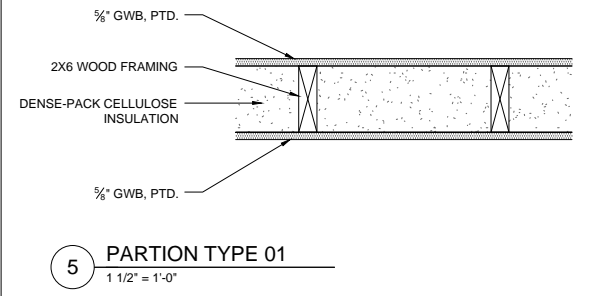
2 WALL SECTION
1" = 1'-0"



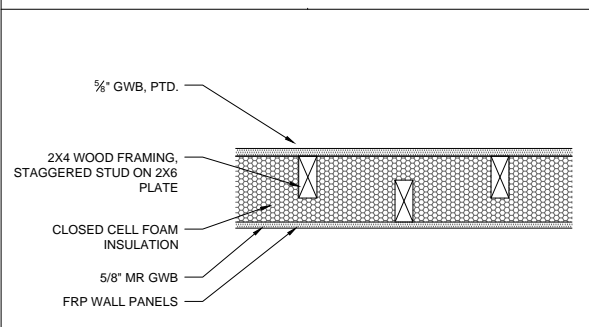
3 WALL SECTION
1" = 1'-0"



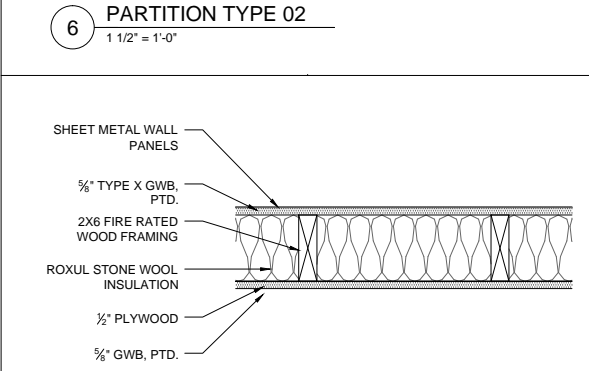
4 WALL SECTION
1" = 1'-0"



5 PARTITION TYPE 01
1 1/2' = 1'-0"

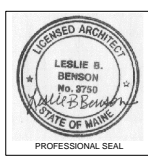


6 PARTITION TYPE 02
1 1/2' = 1'-0"



7 PARTITION TYPE 03
1 1/2' = 1'-0"

NOTE: SEE SHEET A3.0 BUILDING SECTIONS FOR TYPICAL ROOF AND FLOOR ASSEMBLY.



CONSULTANT

STATUS: PERMIT SET
NOT FOR CONSTRUCTION

ISSUE DATE: 7.11.14
ISSUE DATE: 7.28.14
ISSUE DATE: 7.31.14
ISSUE DATE: 8.27.14
ISSUE DATE: 9.17.14

PROJECT NO: 2014-100