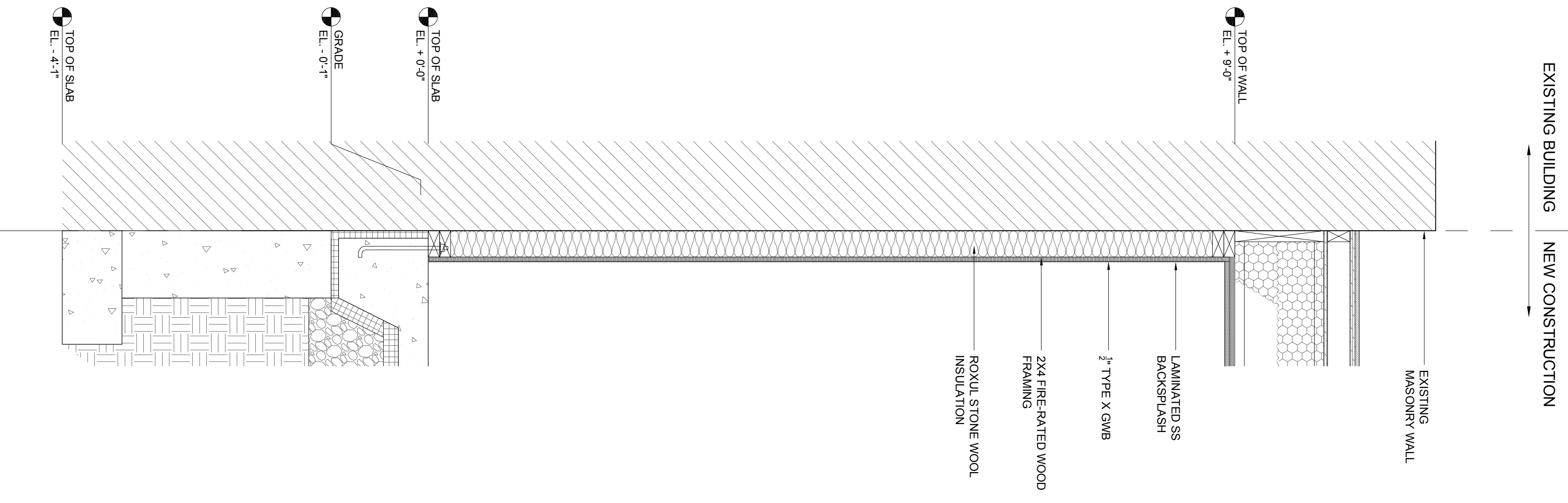
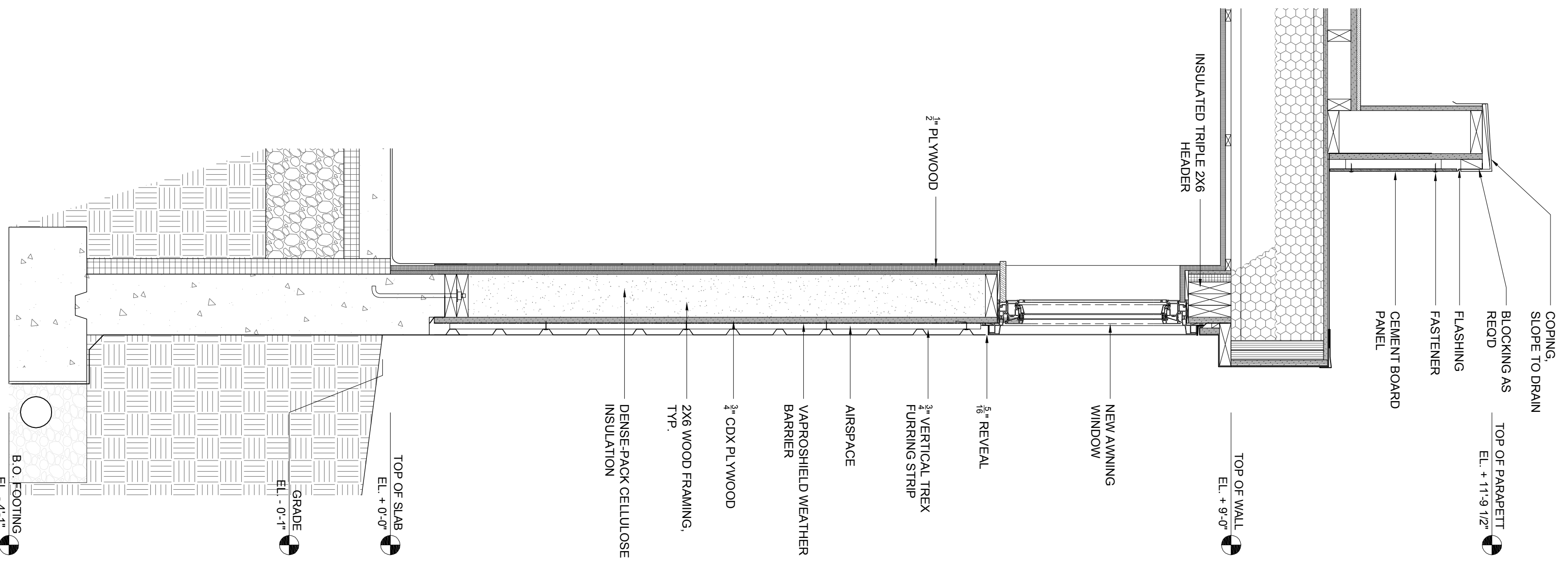


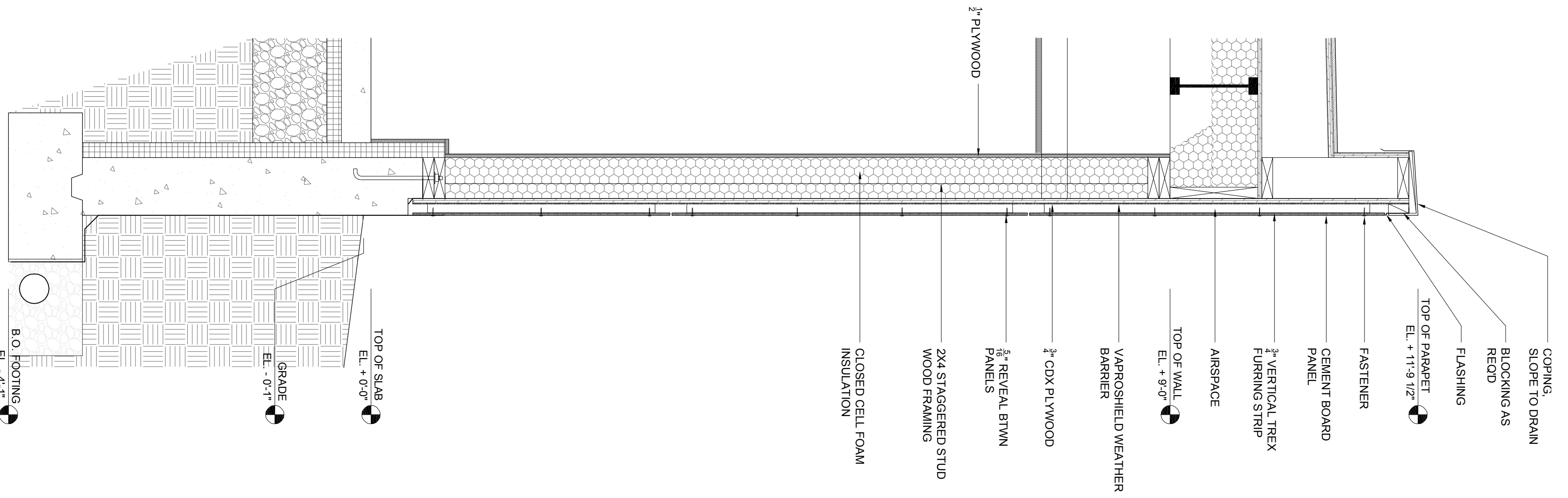
1 WALL SECTION
1" = 1'-0"



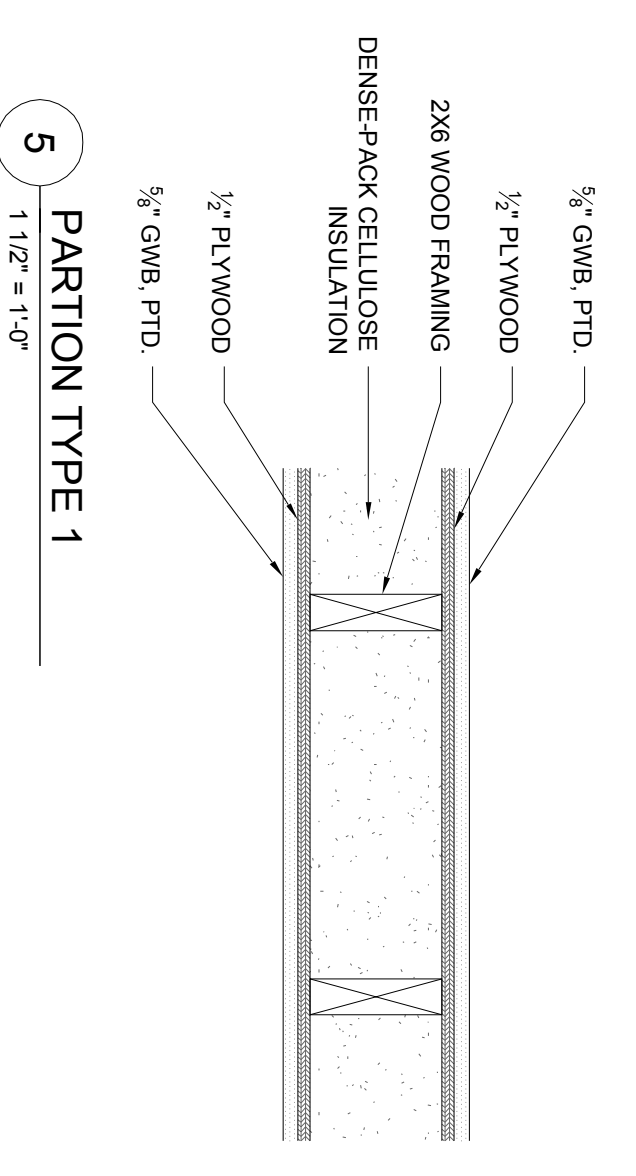
2 WALL SECTION
1" = 1'-0"



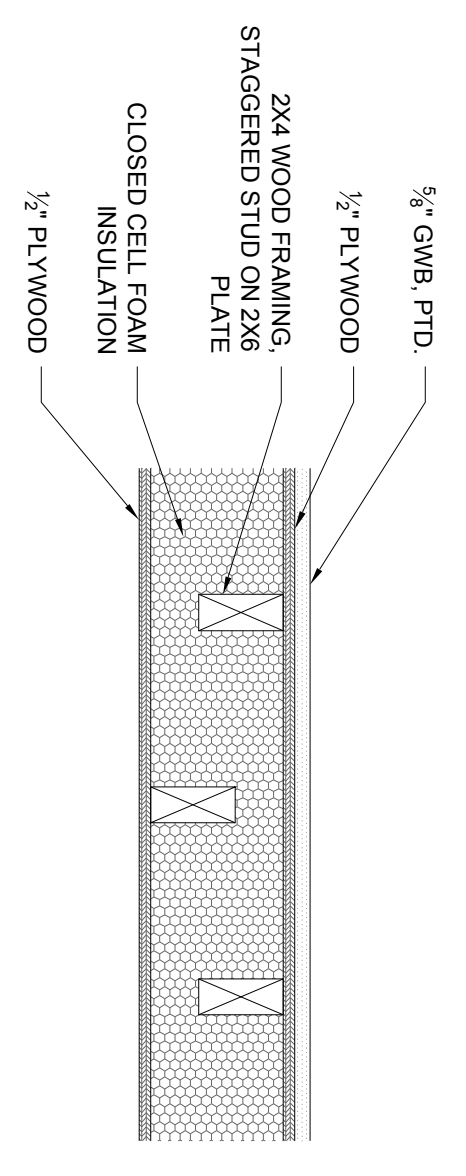
3 WALL SECTION
1" = 1'-0"



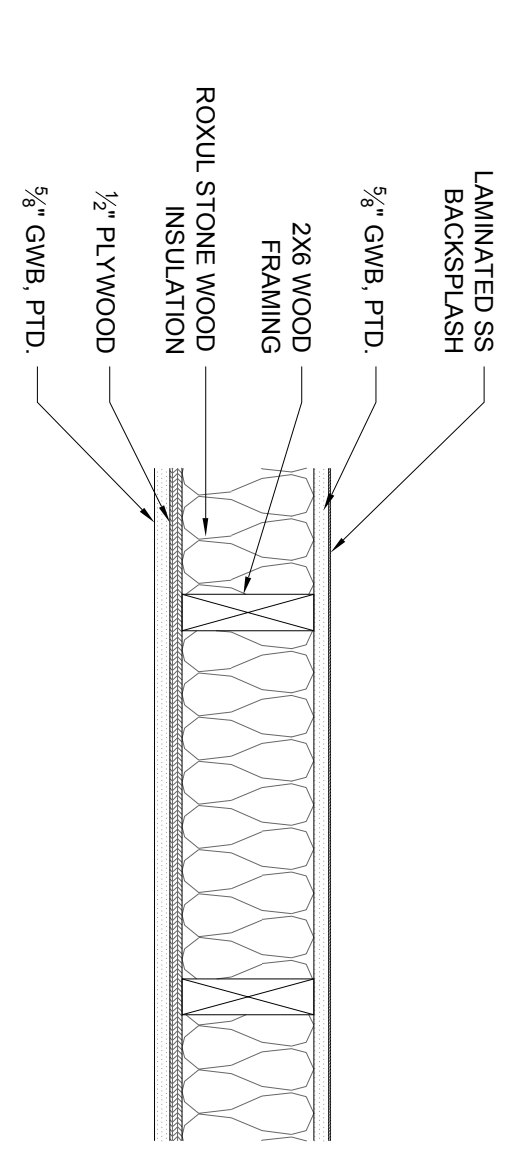
4 WALL SECTION
1" = 1'-0"



5 PARTION TYPE 1
1 1/2" = 1'-0"



6 PARTION TYPE 2
1 1/2" = 1'-0"



7 PARTION TYPE 3
1 1/2" = 1'-0"

NOTE: SEE SHEET A3.0 BUILDING SECTIONS FOR TYPICAL ROOF AND FLOOR ASSEMBLY.

