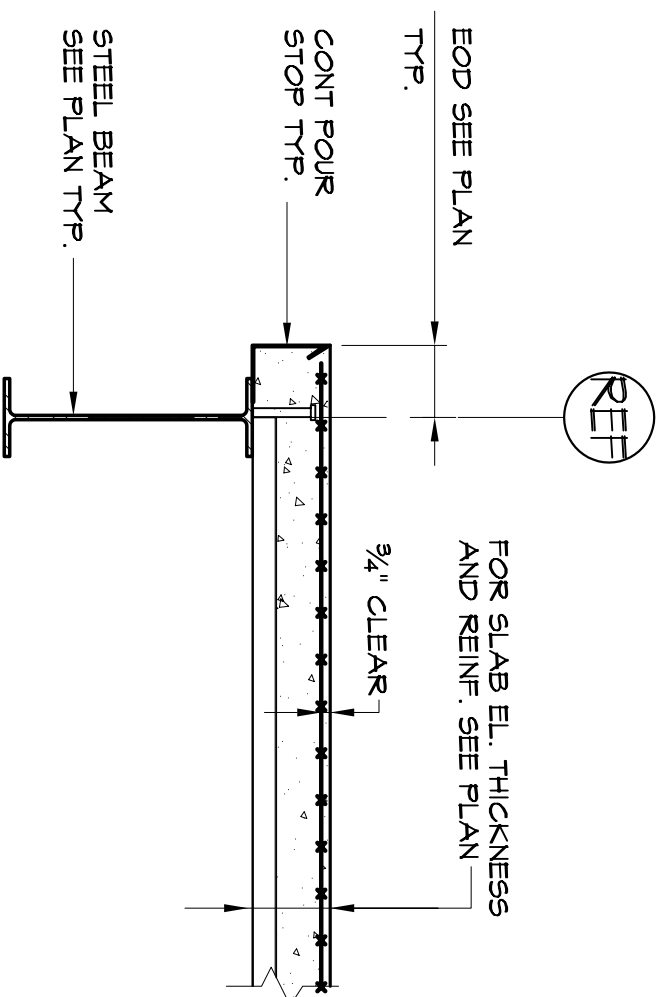
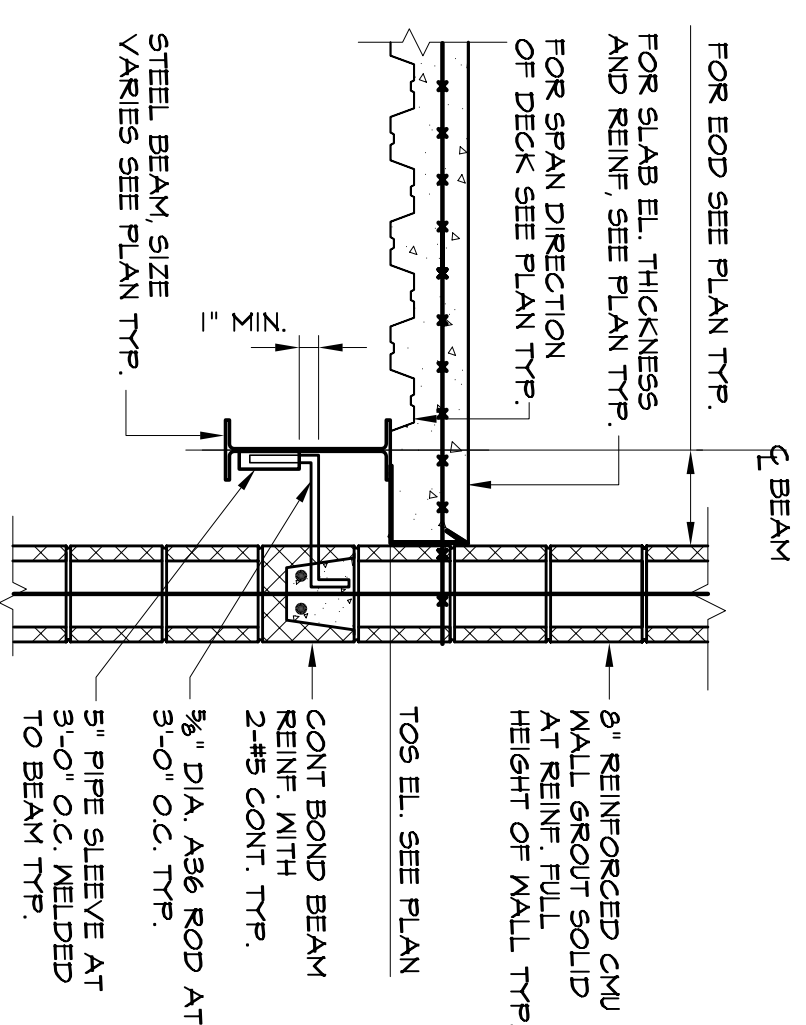


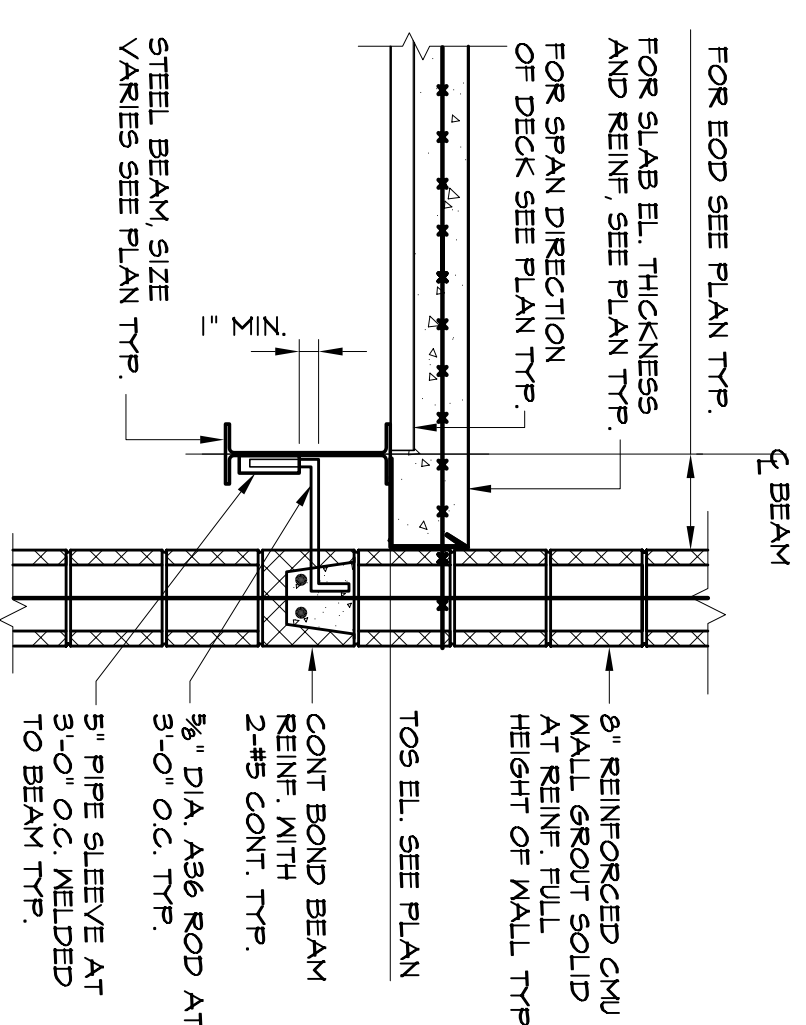
SECTION 1
3/4" = 1'-0"
S5.1



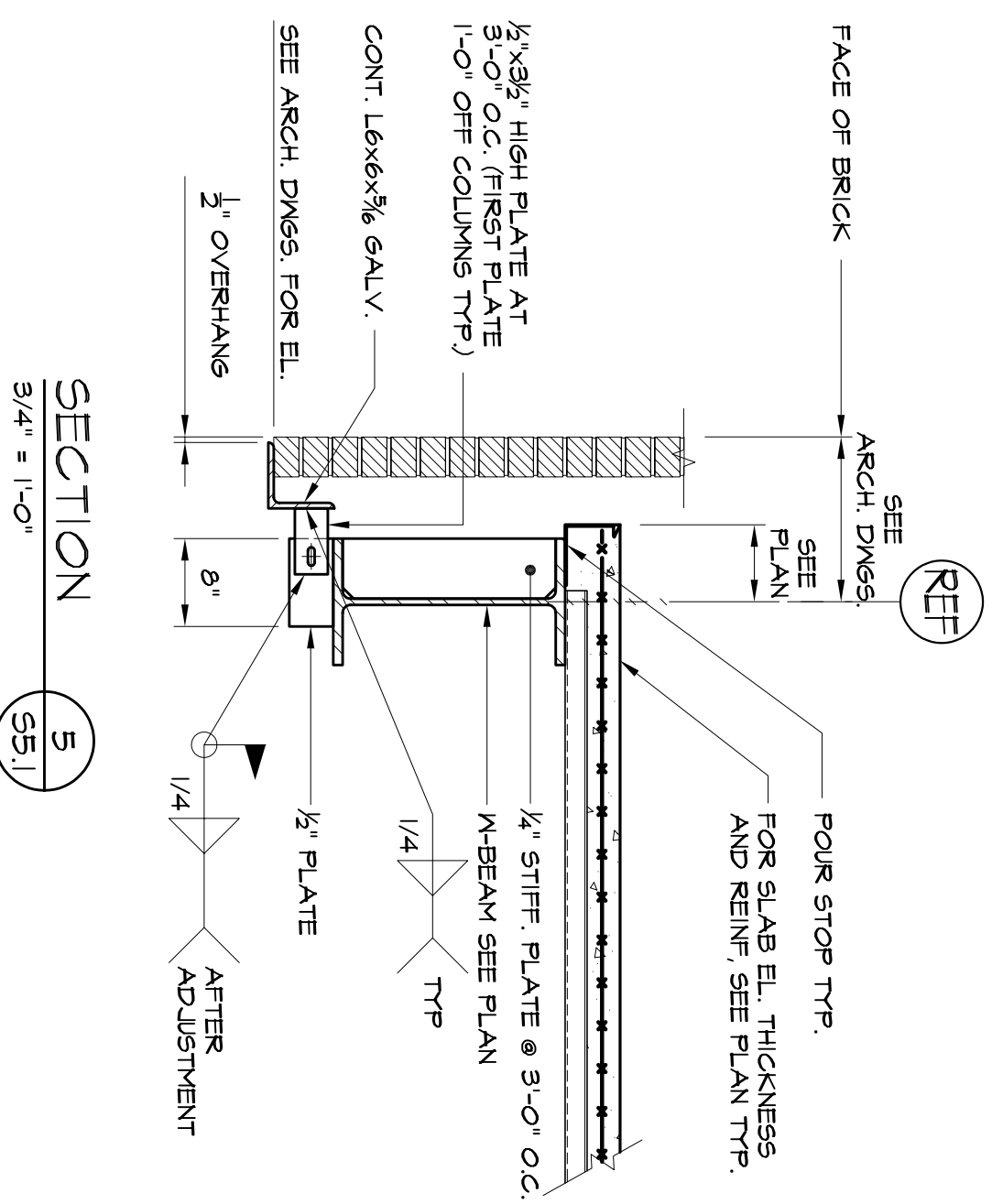
SECTION 2
3/4" = 1'-0"
S5.1



SECTION 3
3/4" = 1'-0"
S5.1



SECTION 4
3/4" = 1'-0"
S5.1



SECTION 5
3/4" = 1'-0"
S5.1

SECTIONS AND DETAILS	
Date	JULY 12, 2005
Scale	N.T.S.
Revisions:	Checked By:
SUBMISSION	JULY 12, 2005
Project: WALKER TERRACE	
ONE WALKER STREET PORTLAND, MAINE	

ARCHETYPE, P.A. ARCHITECTS	
48 Union Wharf Portland, Maine 04101 (207) 772-6022 Fax (207) 772-4056	

CONTRACTOR:

OWNER:
MAINE WORKFORCE HOUSING, LLC
One Longfellow Square, Portland, Maine 04101 (207) 871-9811 Fax (207) 761-0155