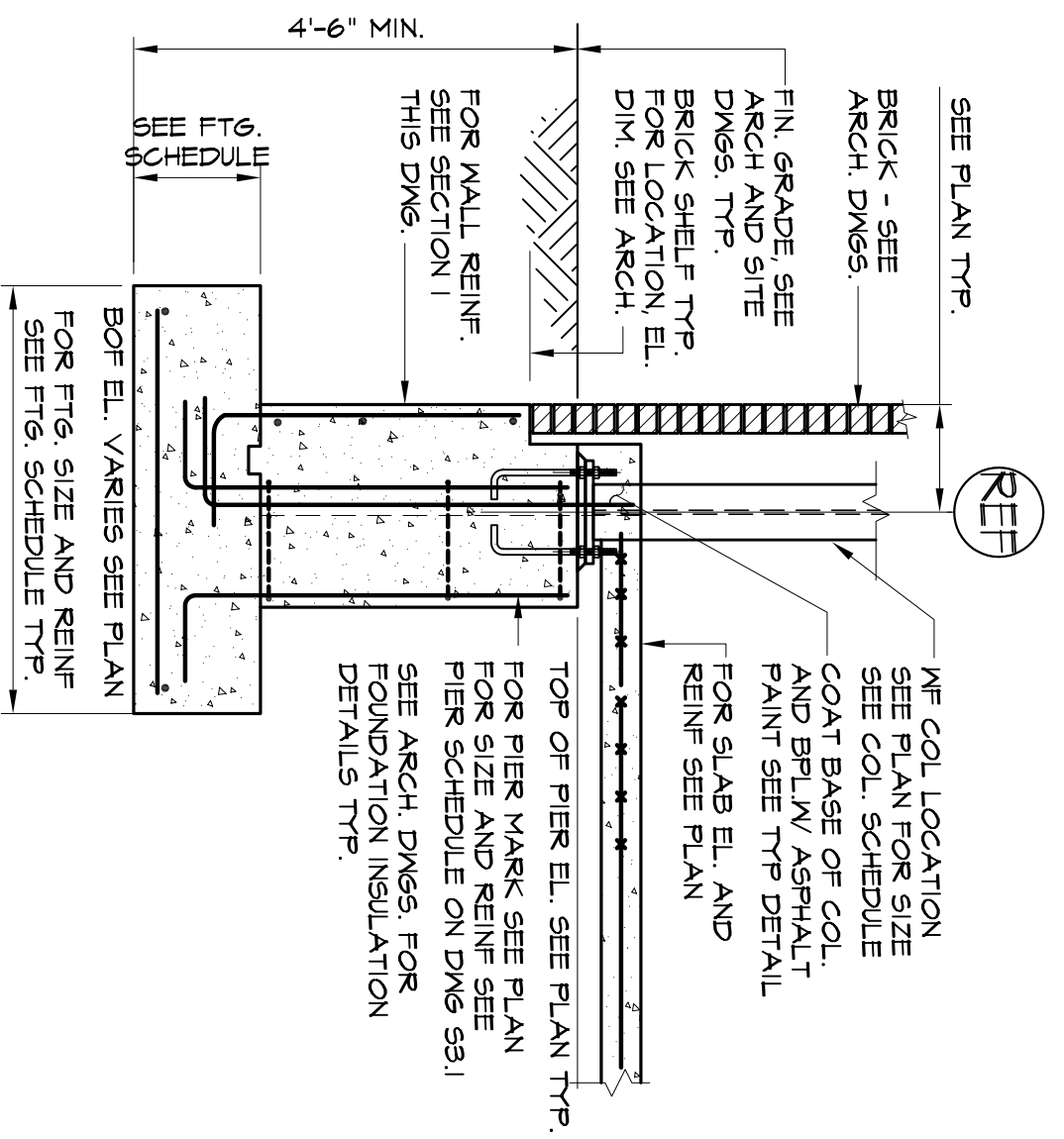
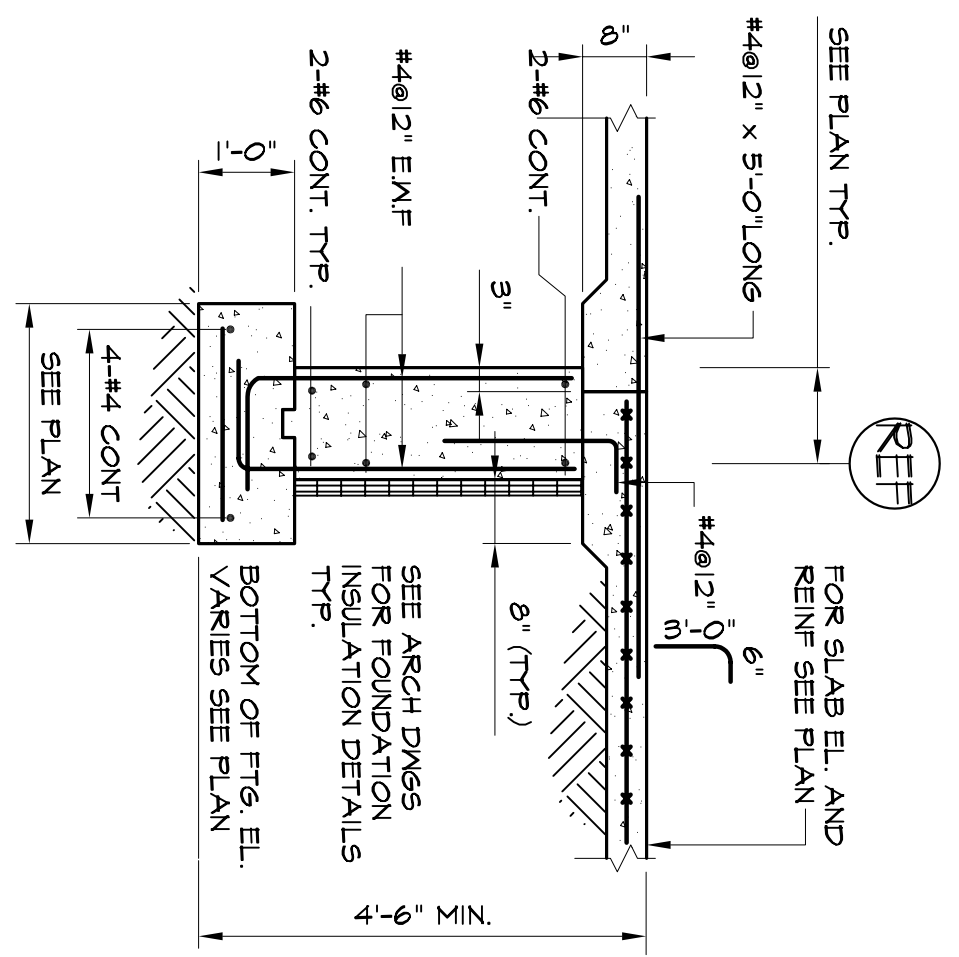


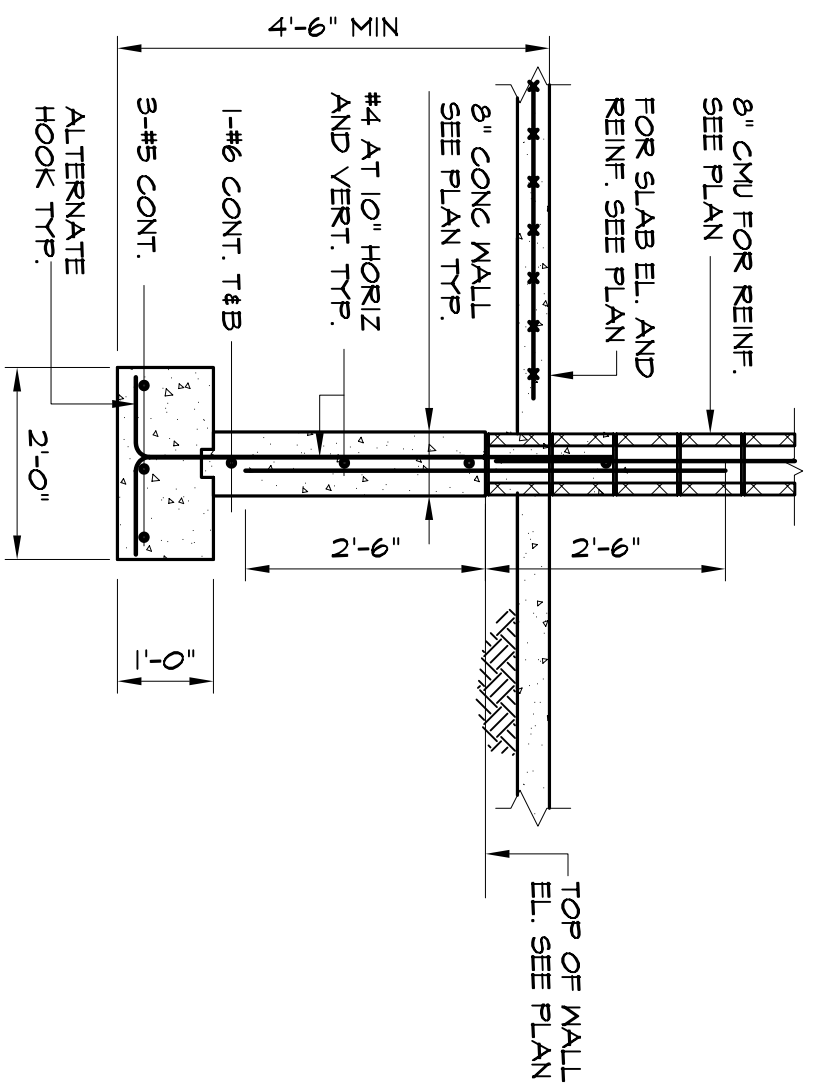
SECTION 1  
1/2"=1'-0"



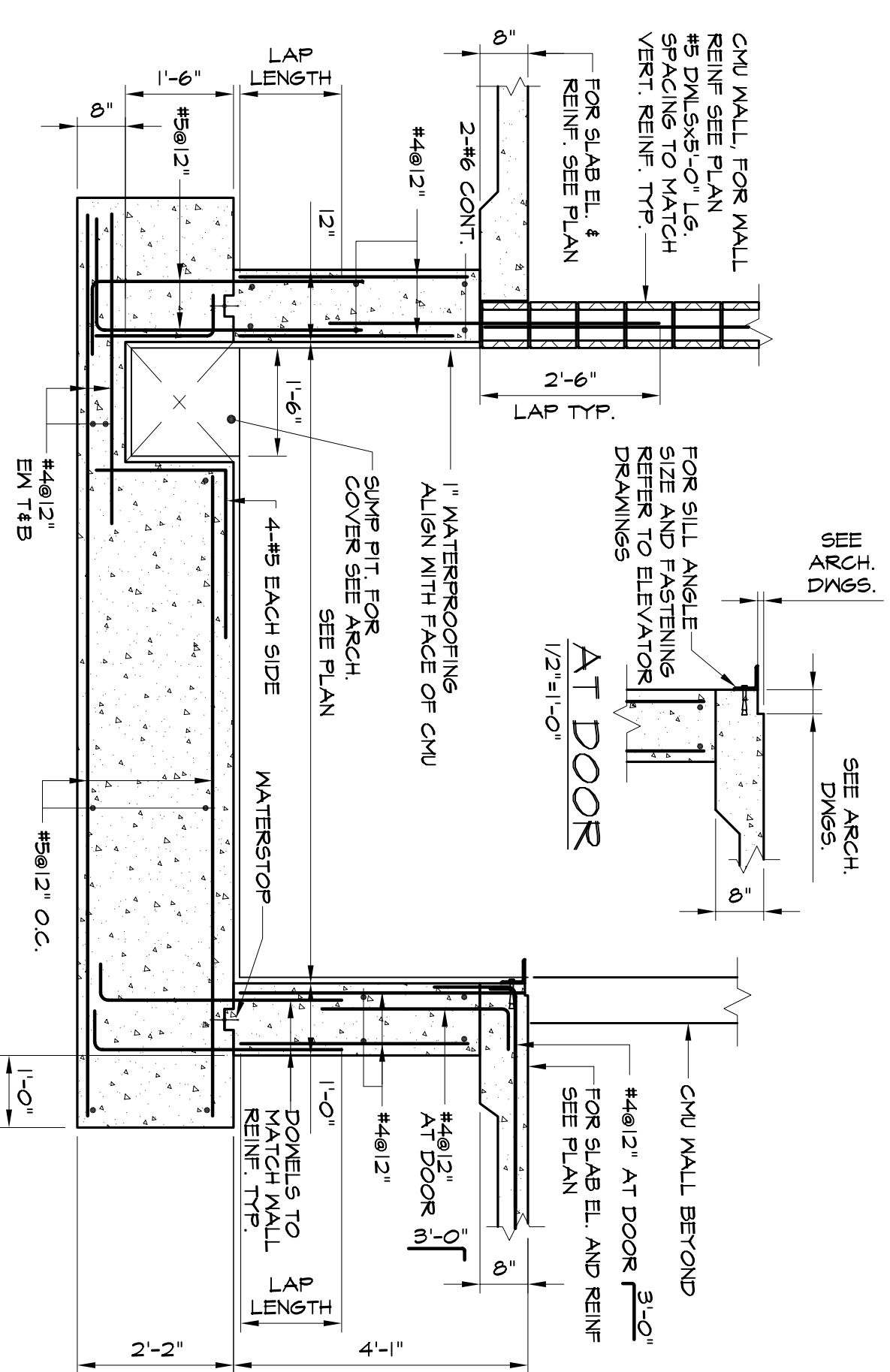
SECTION 2  
1/2"=1'-0"



SECTION 3  
1/2"=1'-0"



SECTION 4  
1/2"=1'-0"



SECTION 5  
1/2"=1'-0"