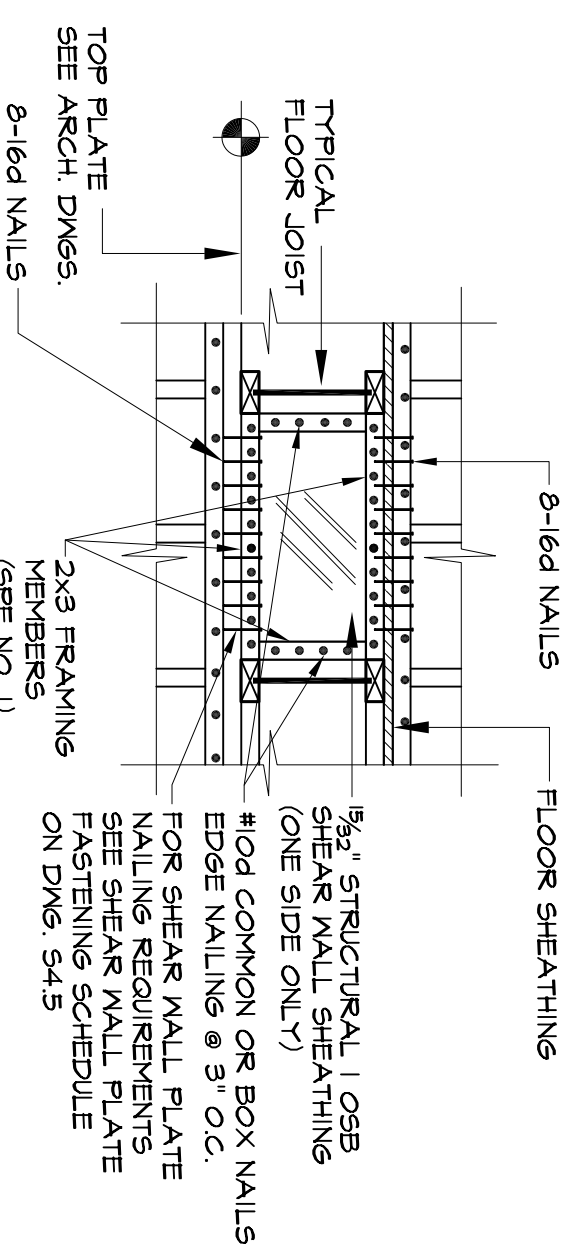
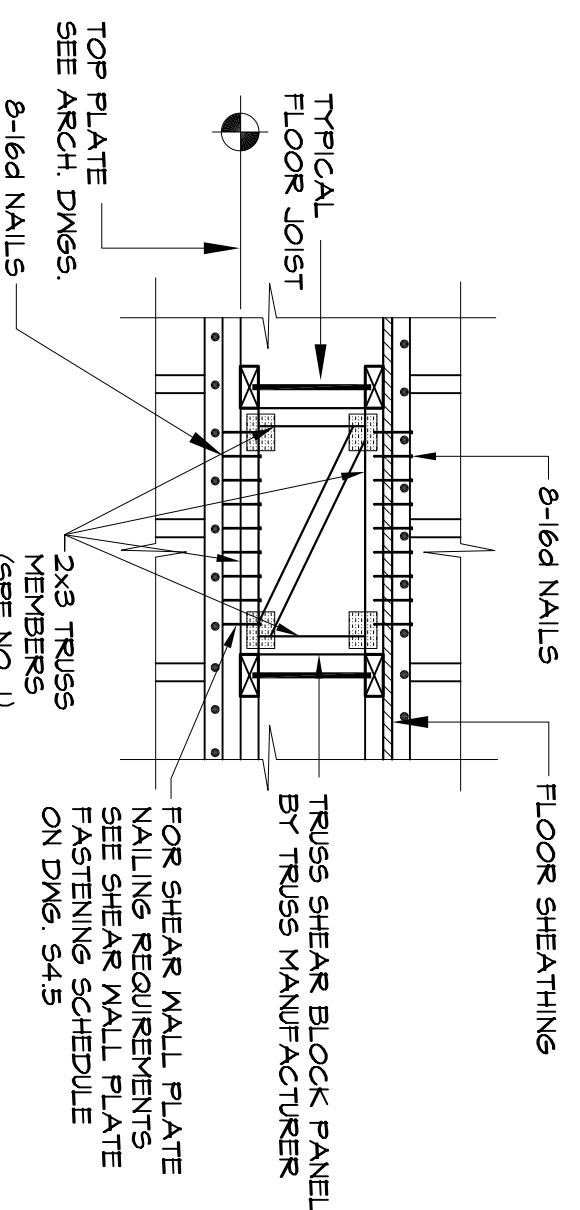


TYP. SHEAR WALL ELEVATION
AT FOUNDATION ANCHORAGE

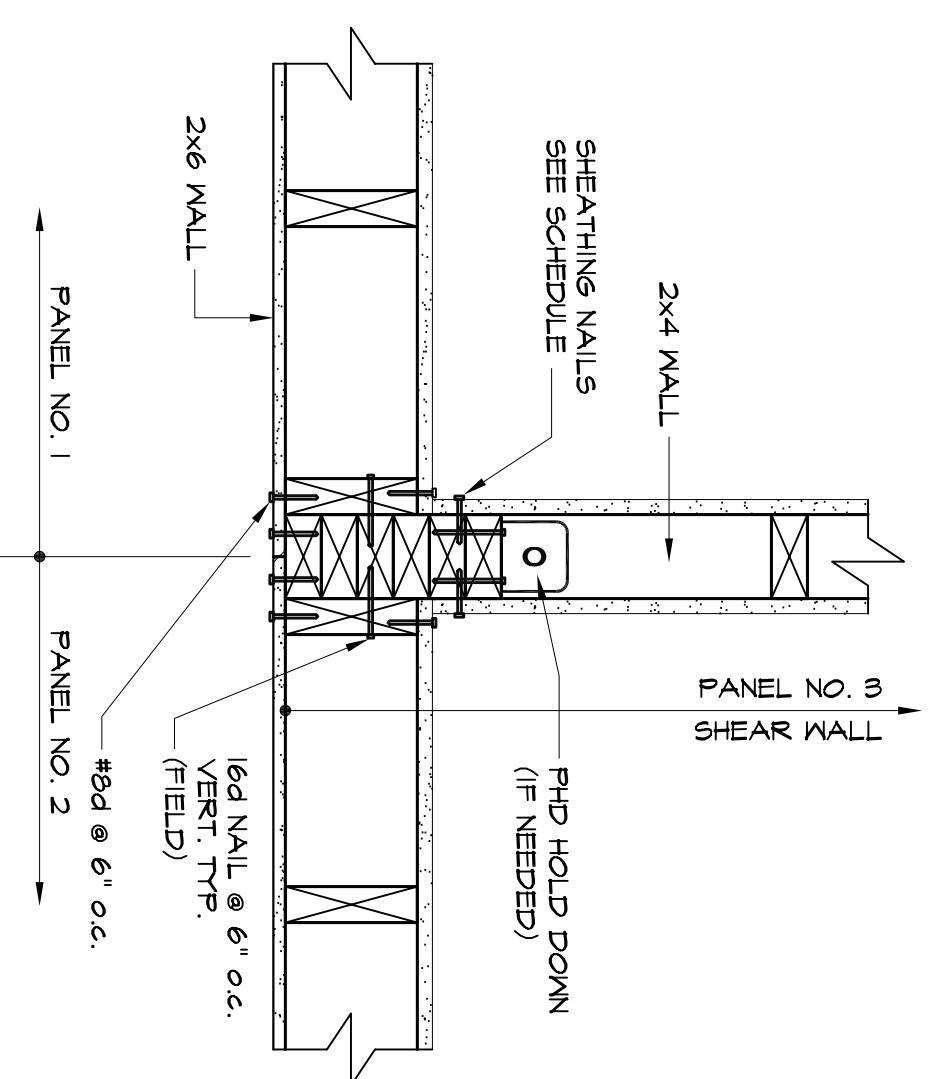


TYP. SHEAR WALL ELEVATION
AT SHEAR BLOCK PANEL

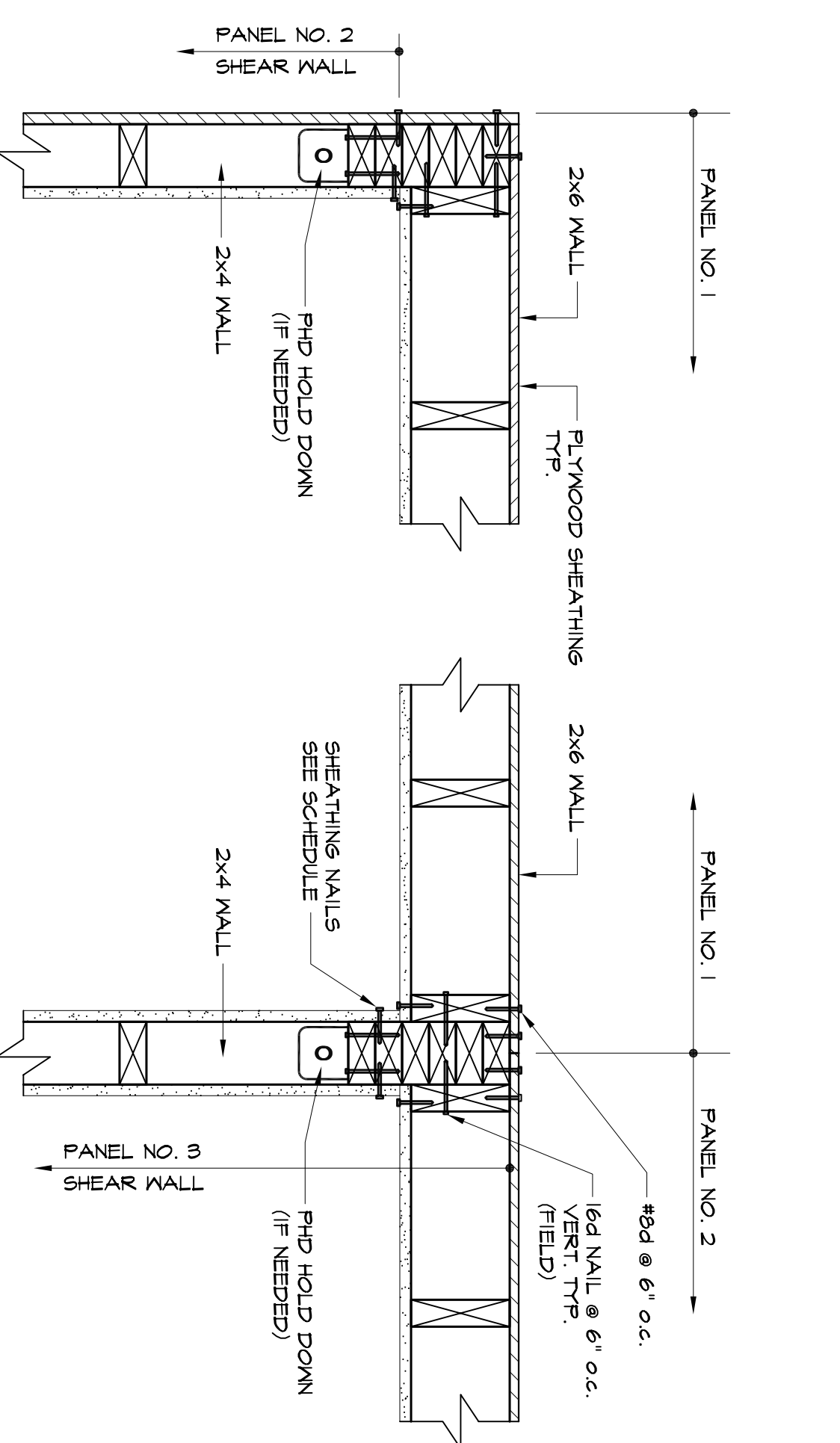


TYPICAL PLYWOOD
SHEAR BLOCK PANEL DETAIL
OPTION #1
3/4"=1'-0"

TYPICAL TRUSS
SHEAR BLOCK PANEL DETAIL
OPTION #2
3/4"=1'-0"



TYPICAL WALL DETAILS
AT CORRIDOR WALL



TYPICAL WALL DETAILS
AT EXTERIOR WALL

SHEAR WALL SCHEDULE

SM2 - 5/8" GYPSUM - TWO SIDED

LEVEL	SHEATHING NAILING & BLOCKING	PLATE FASTENING & SHEAR BLOCKING	SHEAR WALL ANCHORAGE TYPE A	SHEAR WALL ANCHORAGE TYPE B	SHEAR WALL ANCHORAGE TYPE C	SHEAR WALL ANCHORAGE TYPE D
MEZZANINE	EDGE NAIL TYPE & SPACING FIELD NAIL TYPE & SPACING	SHEAR BLOCK SPACING BOTTOM PLATE FASTENING	WALL CHORDS TYPE A	WALL CHORDS TYPE B	WALL CHORDS TYPE C	WALL CHORDS TYPE D
5th FLOOR	#6x1/4 TYPE "S" @ 1' o.c. UNBLOCKED	8'-0"	N/A	N/A	2-2x4 C6185	2-2x4 C6185
4th FLOOR	#6x1/4 TYPE "S" @ 1' o.c. UNBLOCKED	8'-0"	N/A	N/A	2-2x4 C6185	2-2x4 C6185
3rd FLOOR	#6x1/4 TYPE "S" @ 1' o.c. UNBLOCKED	8'-0"	N/A	N/A	2-2x4 C6185	2-2x4 C6185
2nd FLOOR	#6x1/4 TYPE "S" @ 4' o.c. UNBLOCKED	4'-0"	N/A	N/A	2-2x4 C6185	2-2x4 C6185

SHEAR WALL SCHEDULE NOTES:

1. ALL HOLDINGS, FLOOR TIES AND FASTENERS BY SIMPSON OR EQUAL. FOR ADDITIONAL REQUIREMENTS SEE MANUFACTURERS RECOMMENDATIONS.
2. PLATE FASTENING CONTINUOUS AT 1st FLOOR.
3. IF SEGMENT OF TWO SIDED GYPSUM SHEAR WALL IS EXTERIOR THE EXTERIOR SIDE OF THE SEGMENT TO BE 5/8" PLYWOOD W/8d NAILS @ 6" o.c. ON SIDES AND IN FIELD.
4. PROVIDE SOLID 2x4 SOLID BLOCKING THRU FLOOR CAVITIES AT CHORD LOCATIONS.

NOTE:
SHOP NAILS NOT SHOWN
FOR CLARITY

INDICATES FIELD APPLIED
16d NAIL @ 6" o.c. VERT.
INDICATES FIELD APPLIED
SHEATHING NAIL. SEE
SCHEDULE FOR REQUIREMENTS

SHEAR WALL DETAILS
Project: WALKER TERRACE
ONE WALKER STREET
PORTLAND, MAINE

Date: JULY 12, 2005
Scale: N.T.S.
Revisions: Checked By:
SUBMISSION JULY 12, 2005

ARCHETYPE, P.A.
ARCHITECTS
48 Union Wharf Portland, Maine 04101
(207) 772-6022 Fax (207) 772-4056

CONTRACTOR:

OWNER:
MAINE WORKFORCE HOUSING, LLC
One Longfellow Square, Portland, Maine 04101
(207) 871-9811 Fax (207) 761-0155