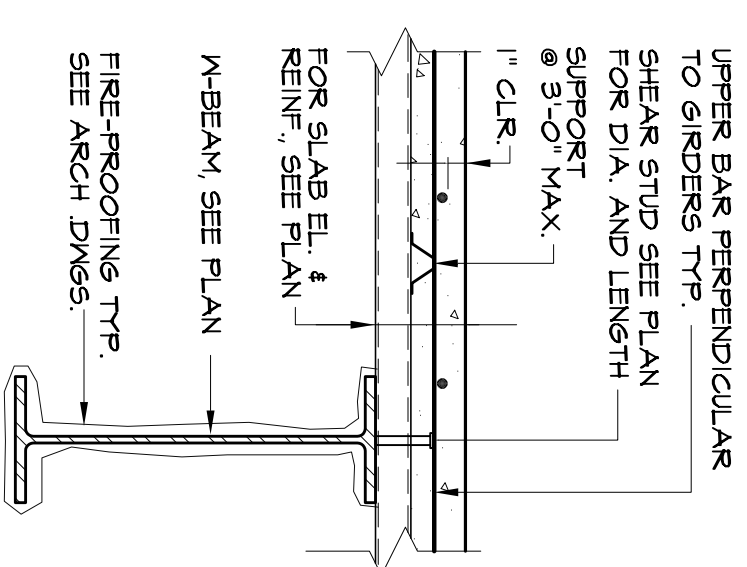
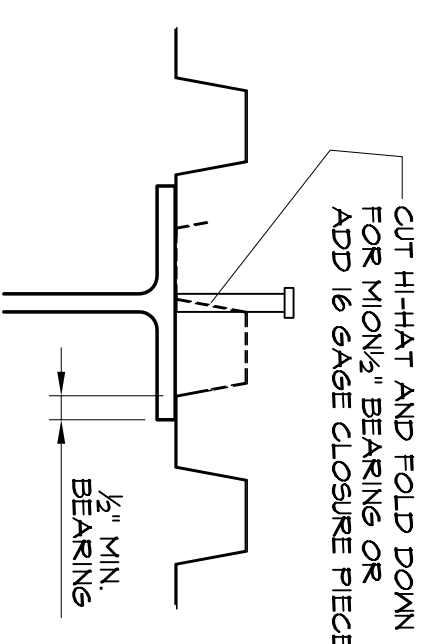


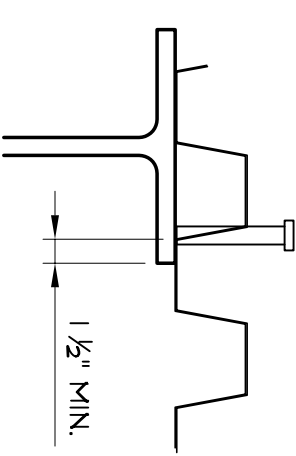
TYPICAL SHEAR STUD DETAIL (WMF)



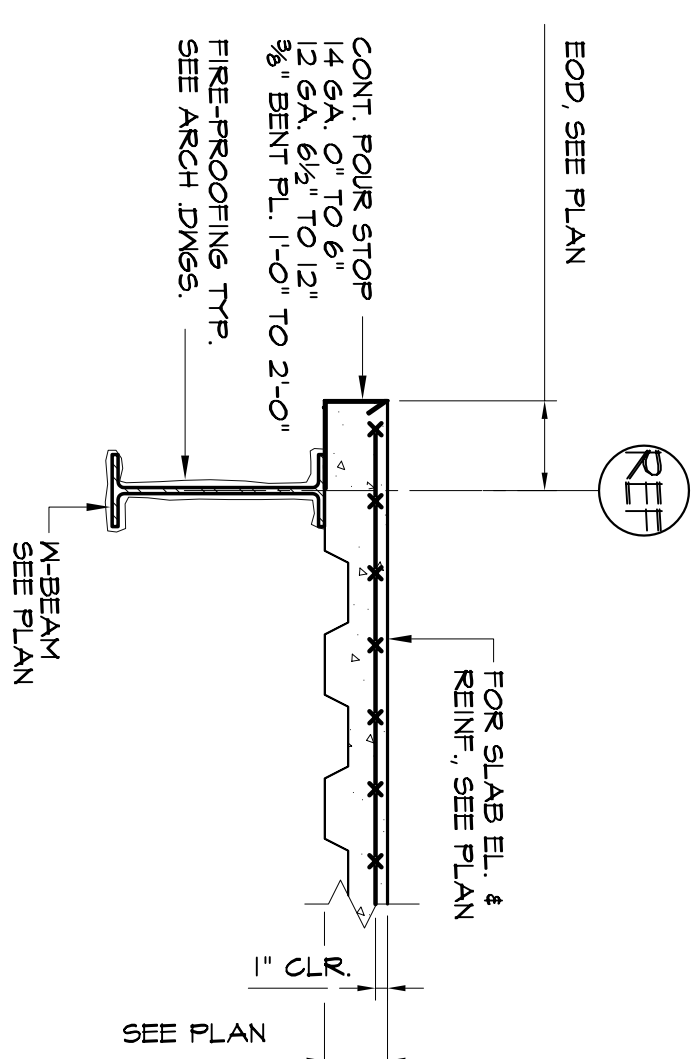
TYPICAL SHEAR STUD DETAIL



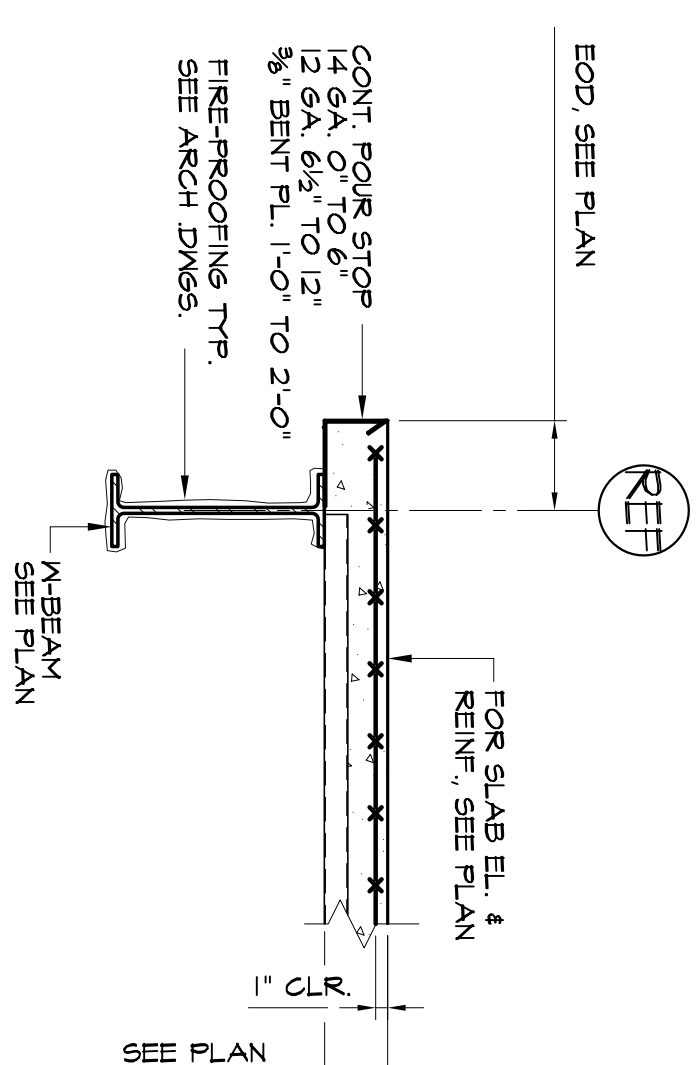
H-HAT FALLING ON FLANGE



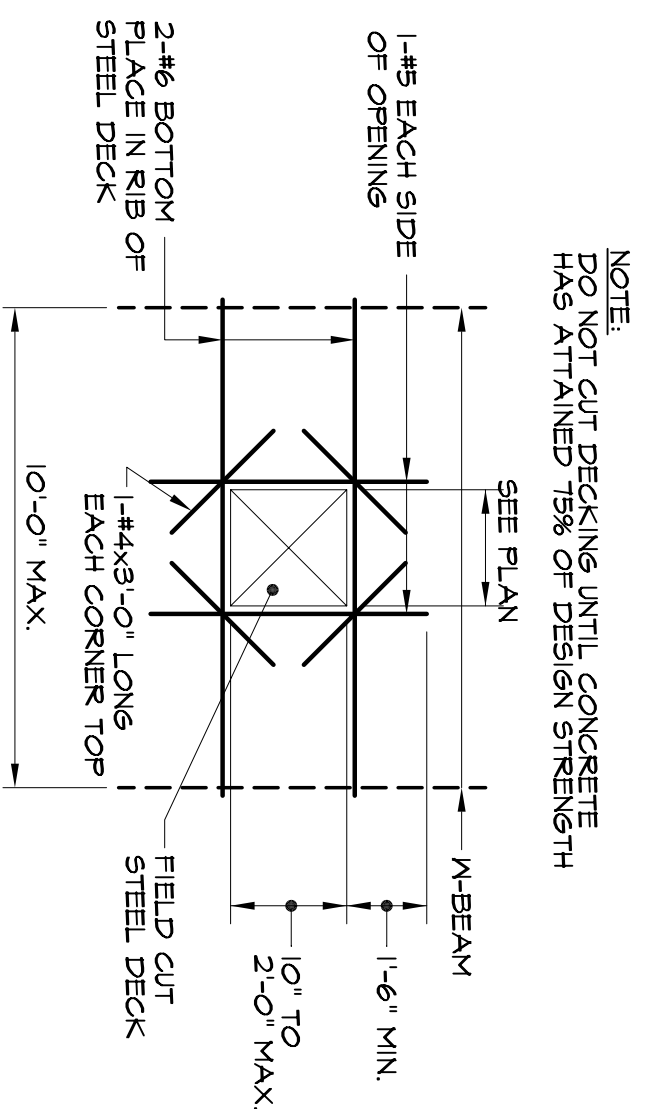
SIDE LAP FALLING ON FLANGE



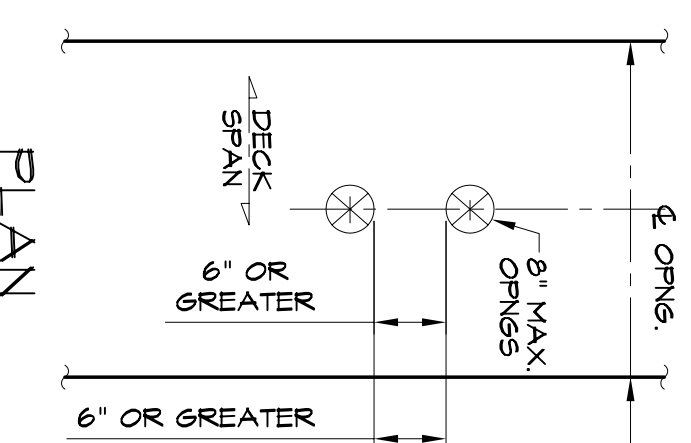
TYPICAL CONCRETE FLOOR EDGE AND REINFORCING DETAIL



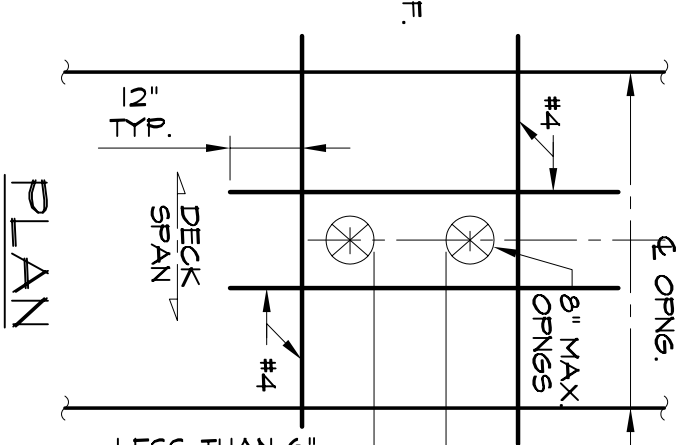
TYPICAL CONCRETE FLOOR EDGE AND REINFORCING DETAIL



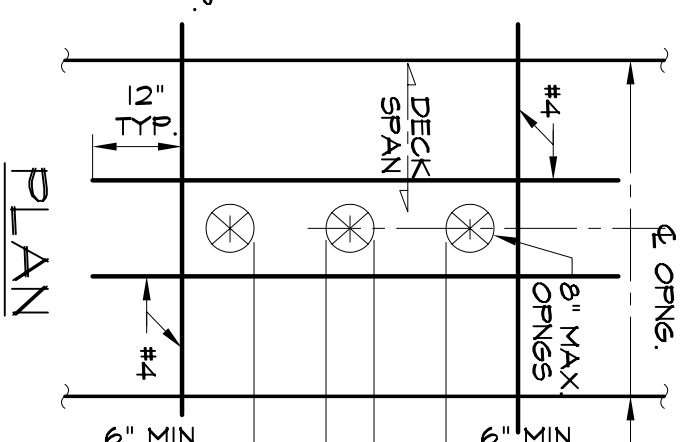
TYPICAL FLOOR OPENING IN CONCRETE ON STEEL DECK 10" TO 2'-0"



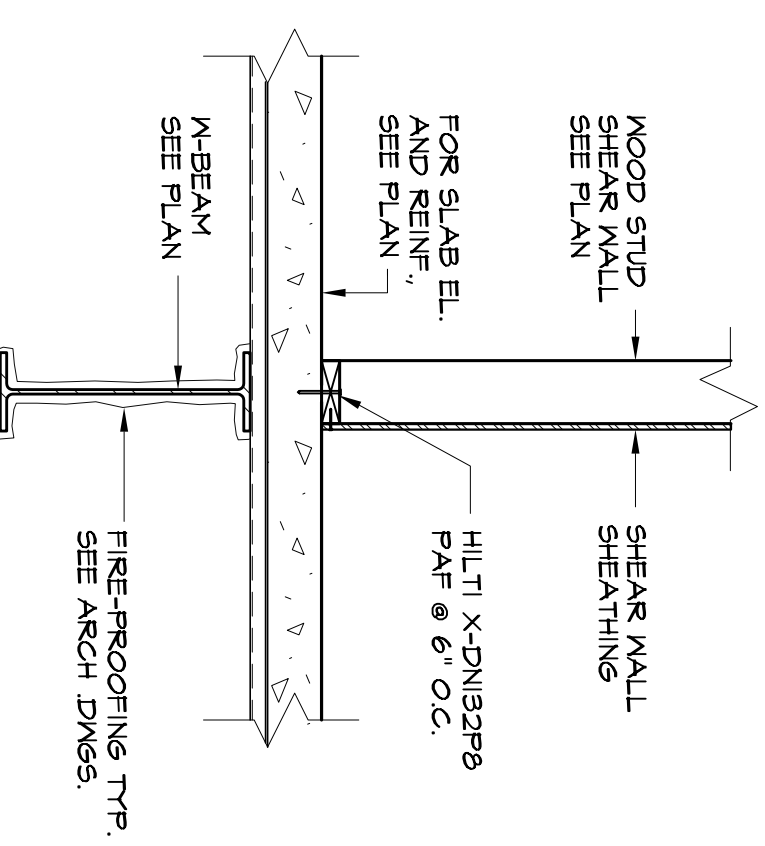
TYPICAL SLEEVE OPENING REINFORCING DETAIL



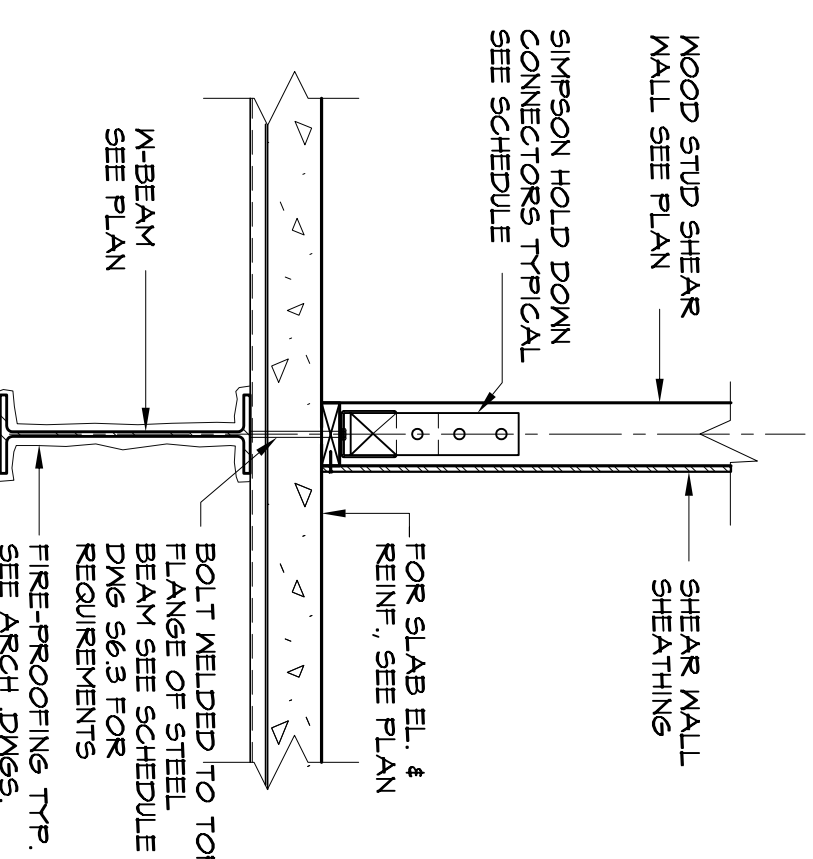
TYPICAL SLEEVE OPENING REINFORCING DETAIL



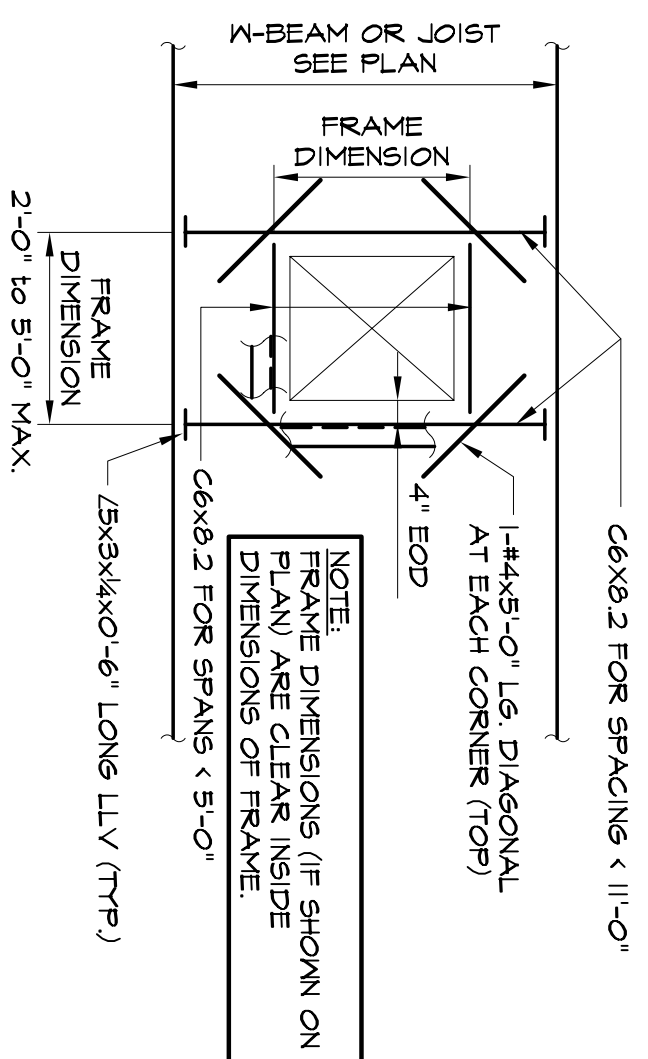
TYPICAL SLEEVE OPENING REINFORCING DETAIL



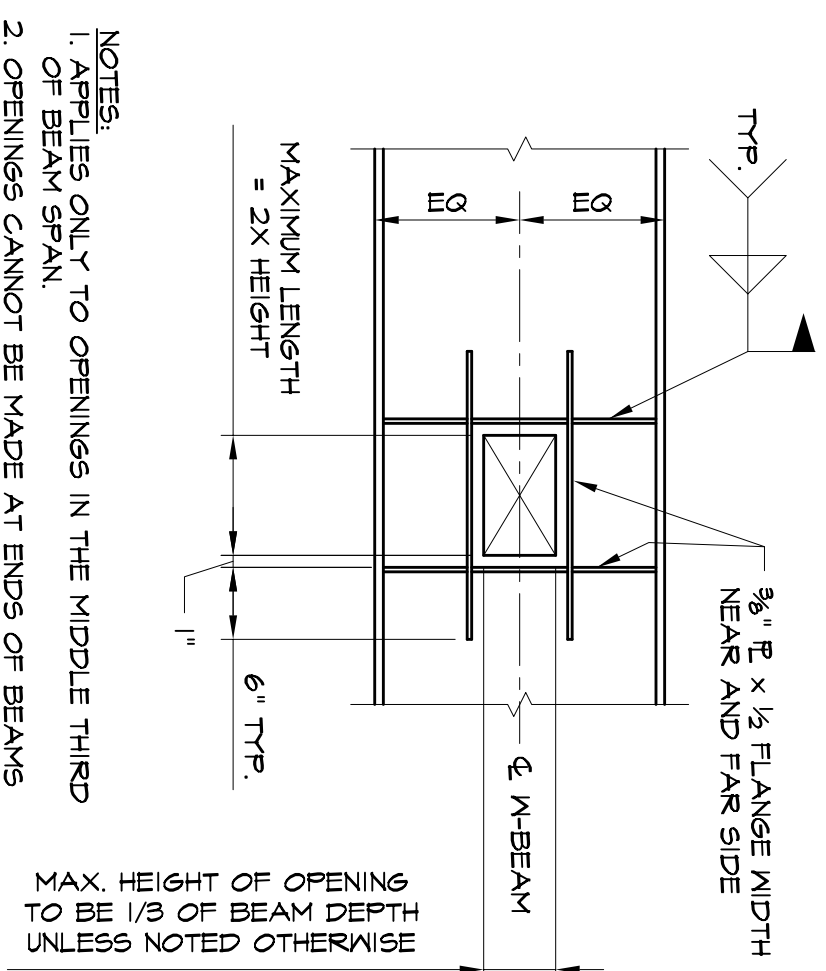
TYPICAL DETAIL OF STUD WALL TO SLAB ON DECK



TYPICAL DETAIL OF STUD WALL HOLD-DOWN AT SLAB ON DECK



TYPICAL FLOOR OPENING IN CONCRETE ON STEEL DECK 2'-0" TO 5'-0" DETAIL



TYPICAL FLOOR OPENING IN CONCRETE ON STEEL DECK 2'-0" TO 5'-0" DETAIL

NOTES:
1. OPENINGS ONLY TO BE MADE AT ENDS OF BEAMS WITHOUT THE APPROVAL OF THE ENGINEER.
2. OPENINGS CANNOT BE MADE IN THE MIDDLE THIRD OF BEAM SPAN.

MAX. HEIGHT OF OPENING TO BE 1/3 OF BEAM DEPTH LESS NOTED OTHERWISE