

4.16 WATER CLOSETS

4.16.3* Height. The height of water closets shall be 17 in to 19 in (430 mm to 485 mm), measured to the top of the toilet seat (see Fig. 29). Seats shall not be sprung to return to a lifted position.

4.16.4* Grab Bars. Grab bars for water closets not located in stalls shall comply with Fig. 29 and with 4.24.

*See Appendix for additional information.

4.16.5* Flush Controls. Flush controls shall be hand operated or automatic and shall comply with 4.25.4. Controls for flush valves shall be mounted for use from the wide side of the toilet stall and shall be no more than .44 in (1120 mm) above the floor.

4.16.6 Dispensers. Toilet paper dispensers shall comply with 4.25.4 and shall be installed within reach, as shown in Fig. 29(b).

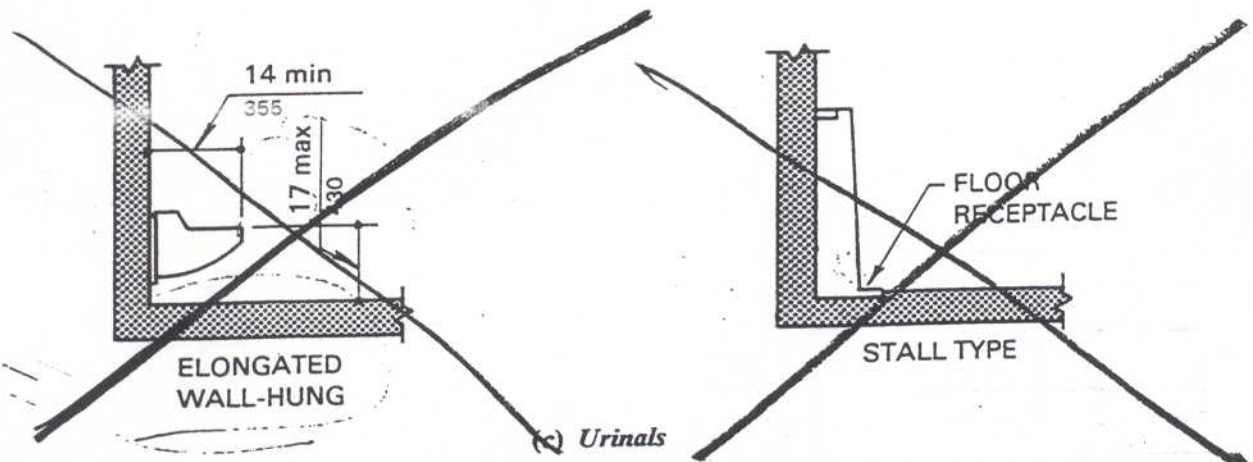
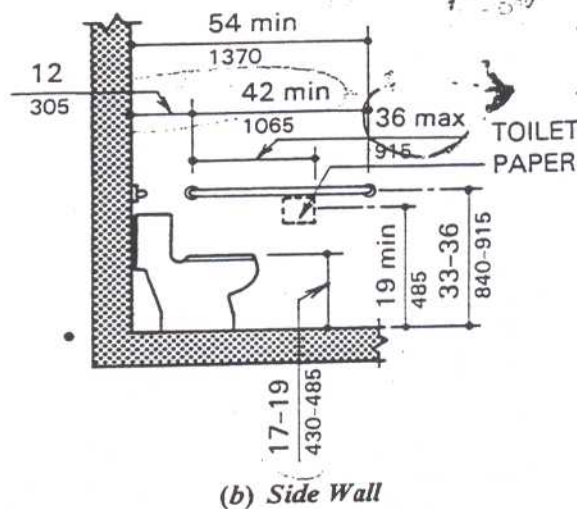
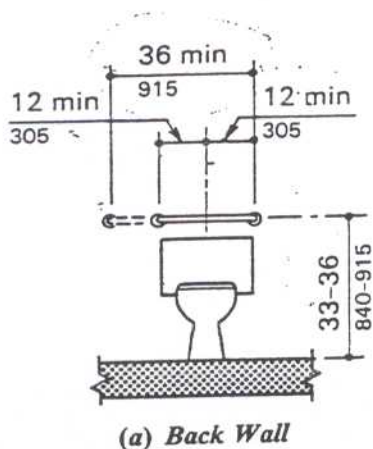
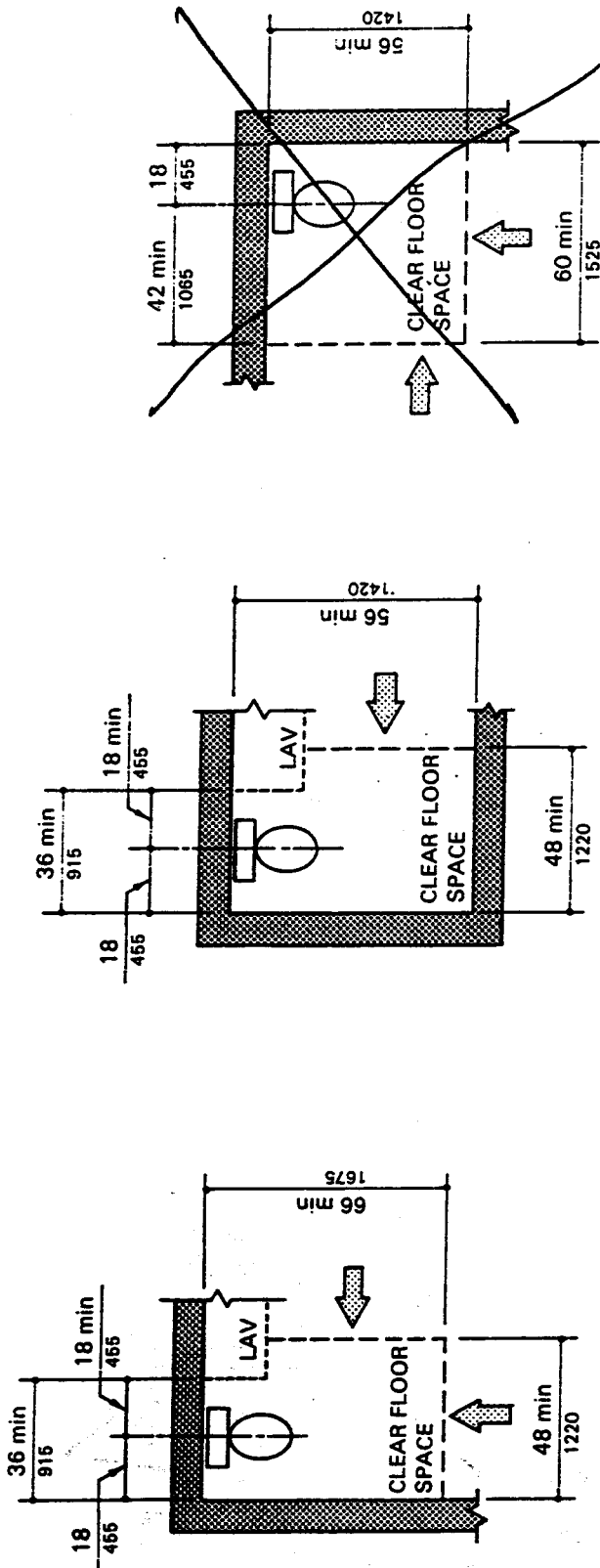
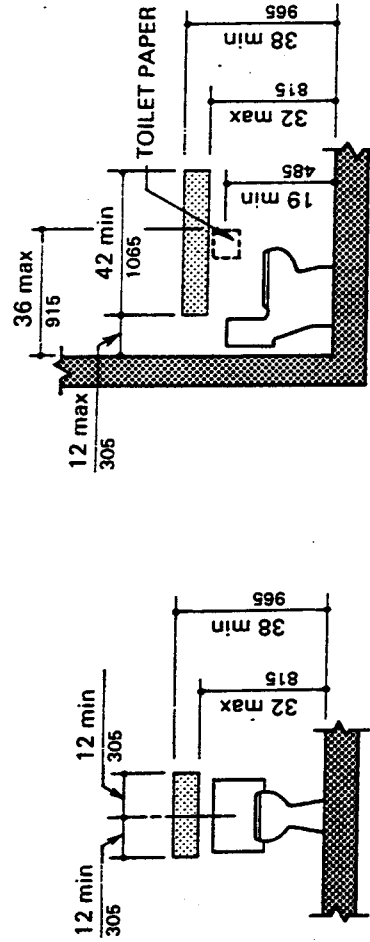


Fig. 29 Water Closets and Urinals



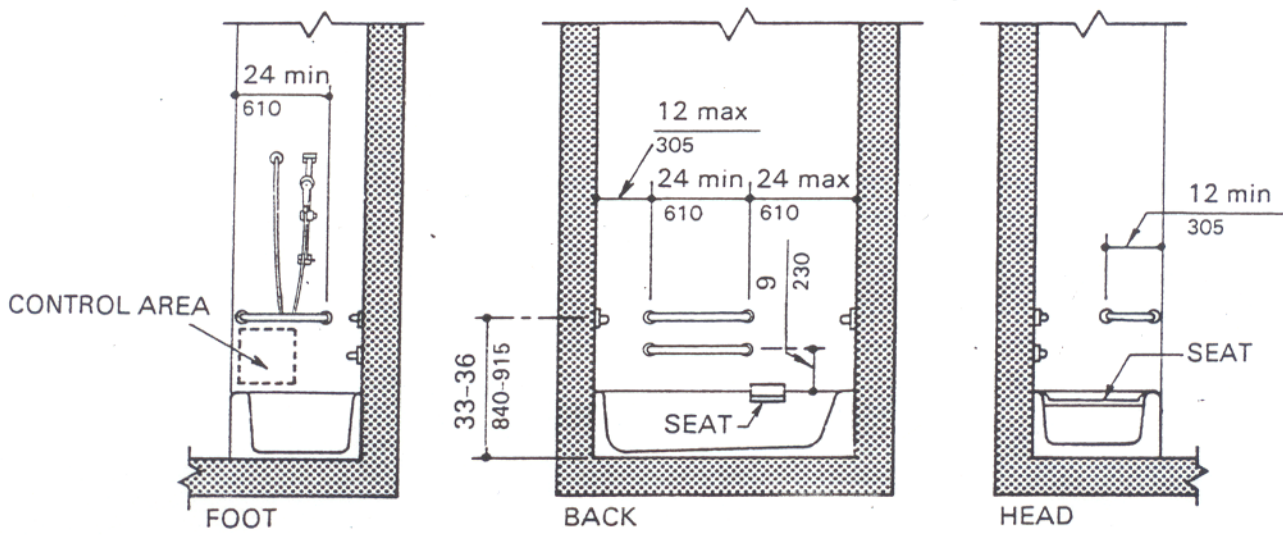
(a) Clear Floor Space for Adaptable Bathrooms



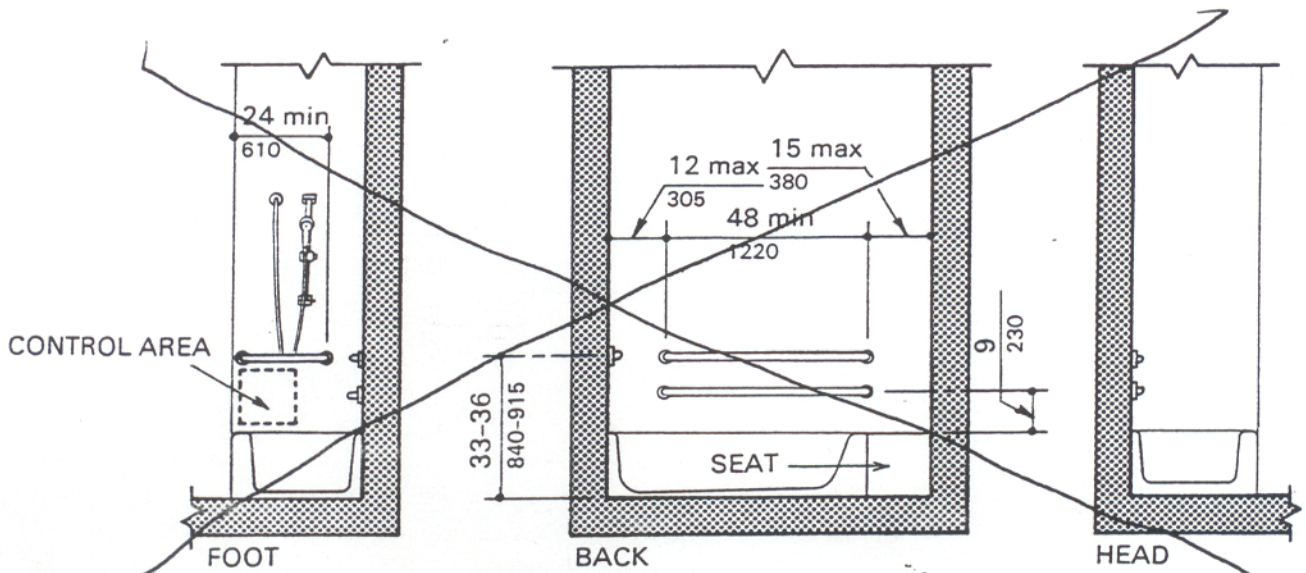
NOTE: The lightly shaded areas are reinforced to receive grab bars.

(b) Reinforced Areas for Installation of Grab Bars

Fig. 47 Water Closets in Adaptable Bathrooms



(a) With Seat in Tub



(b) With Seat at Head of Tub

Fig. 34
Grab Bars at Bathtubs