

## MECHANICAL DETAILS

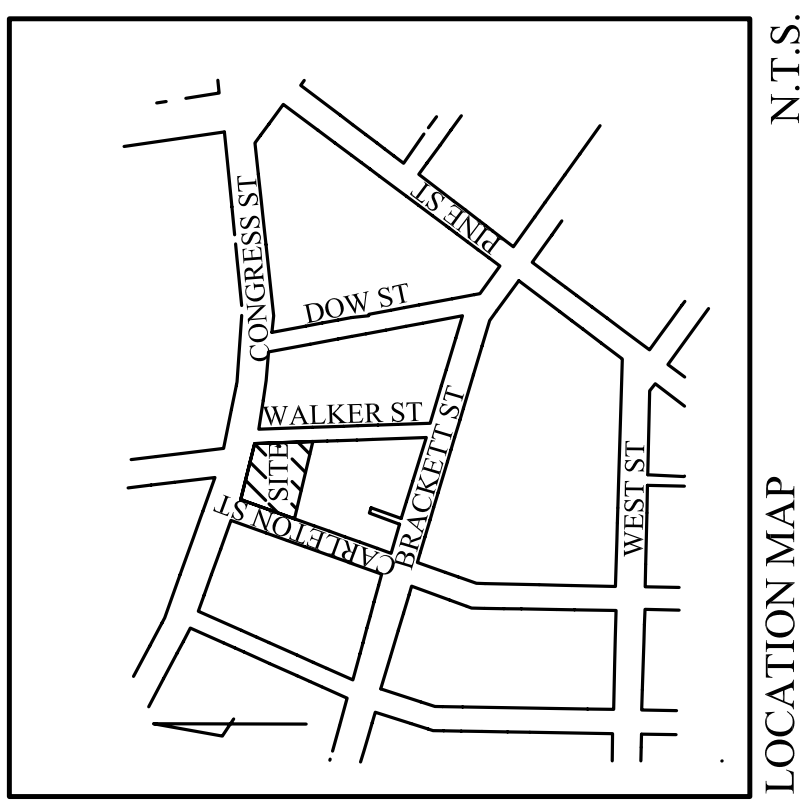
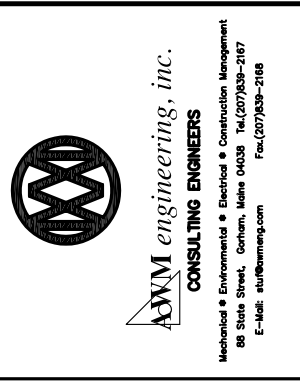
WALKER TERRACE

Date:	7-12-05
Scale:	AS NOTED
Revisions:	Drawn By: CLC Checked By: AWM

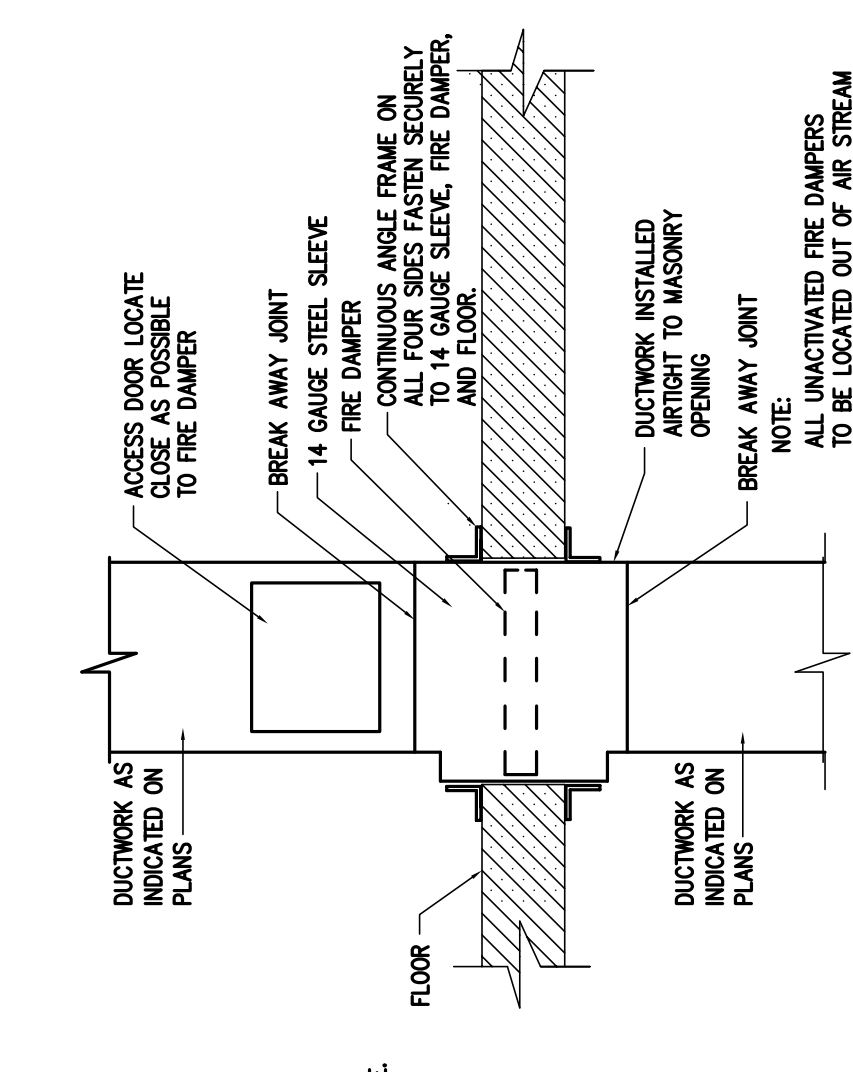
ARCHETYPE, P.A.  
ARCHITECTS  
48 Union Wharf Portland, Maine 04101  
(207) 772-6022 Fax (207) 772-4056

Project:  
WALKER TERRACE  
Walker Street,  
Portland, Maine 04101

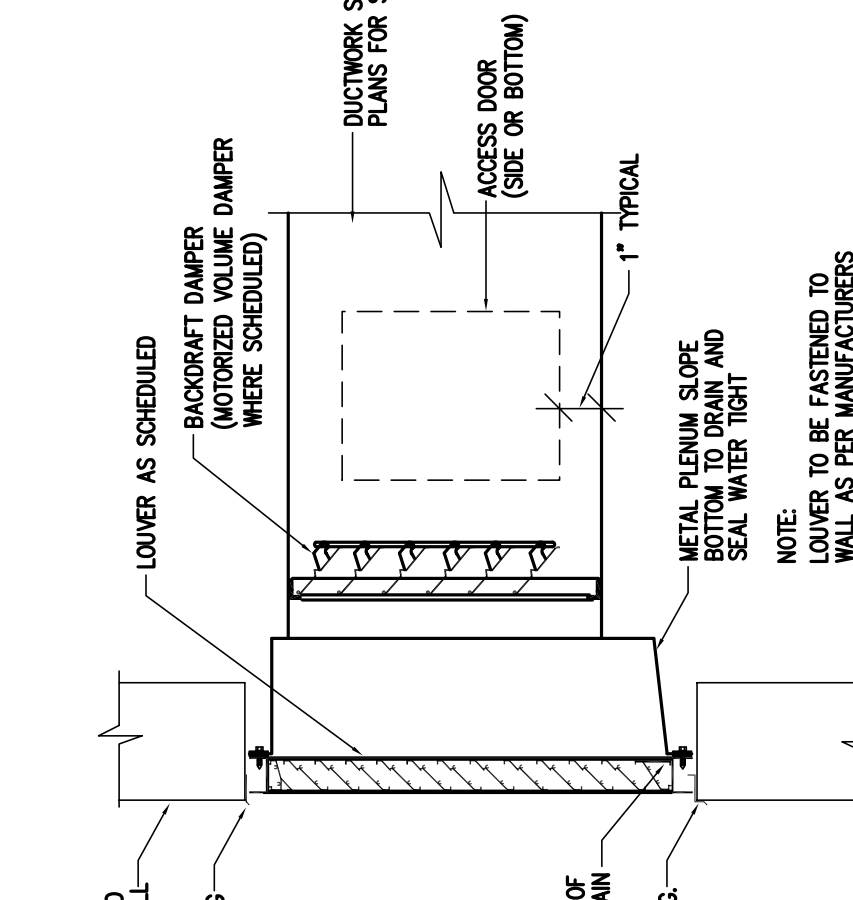
Owner:  
MAINE WORKFORCE HOUSING, LLC  
One Longfellow Square, Portland, Maine 04101  
(207) 871-9811 Fax (207) 761-0155



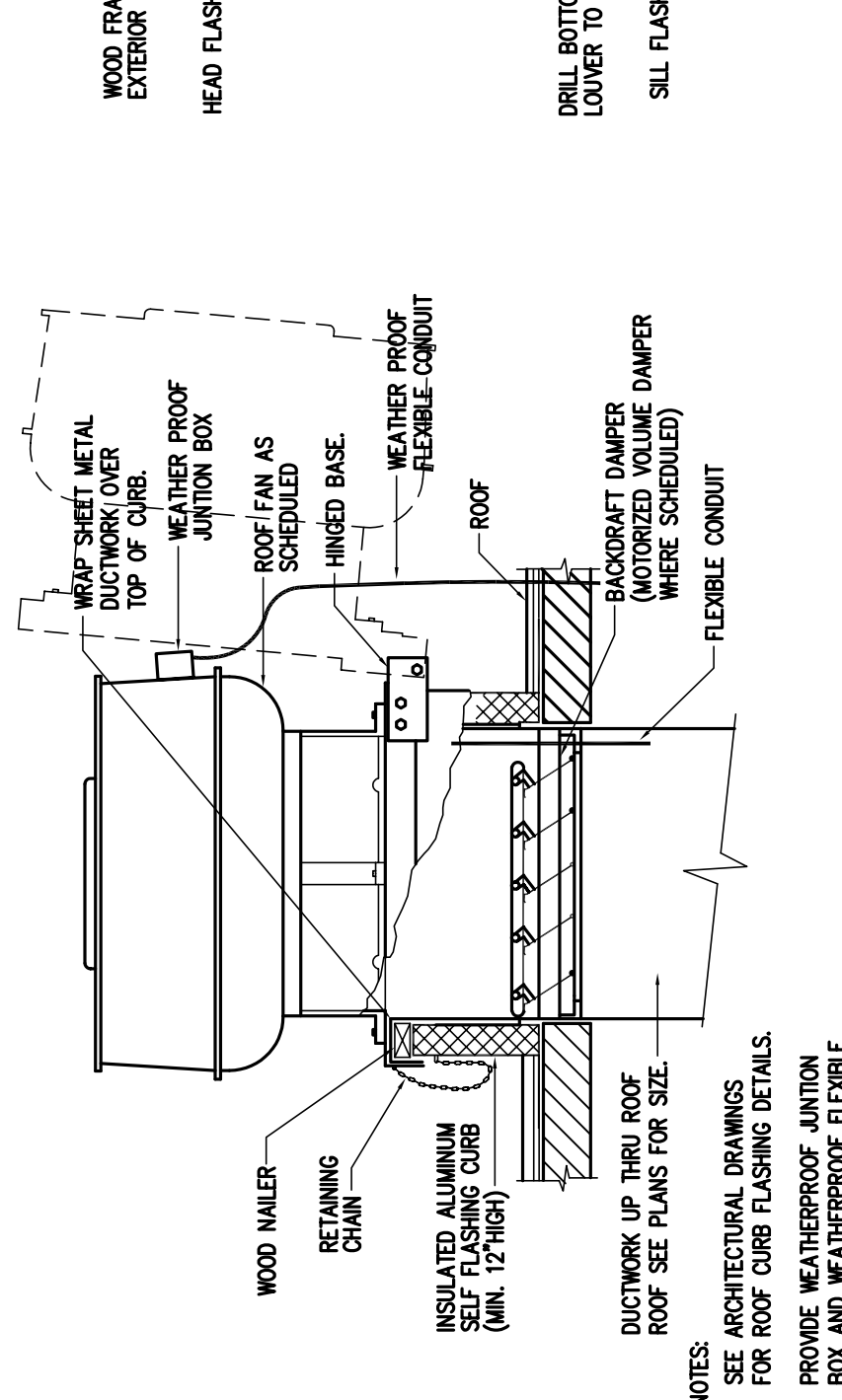
LOCATION MAP  
N.T.S.



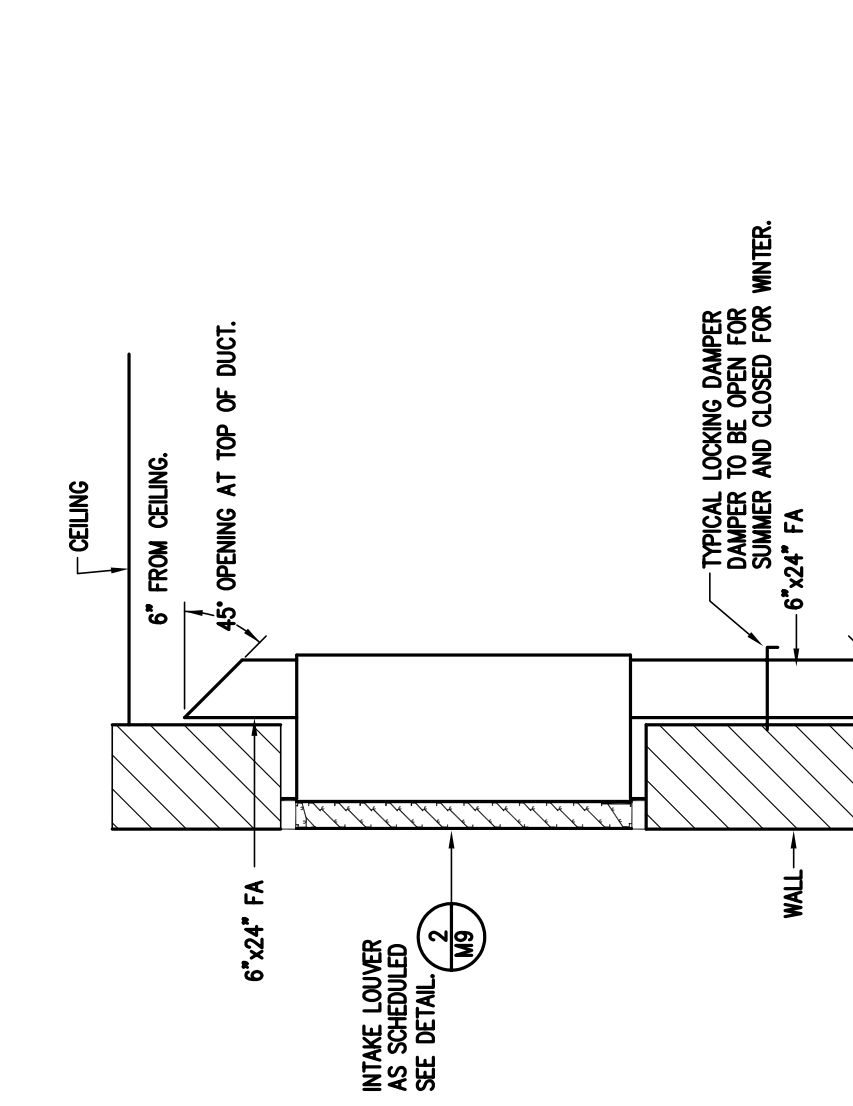
1 ROOF-MOUNTED FAN  
SCALE: NONE



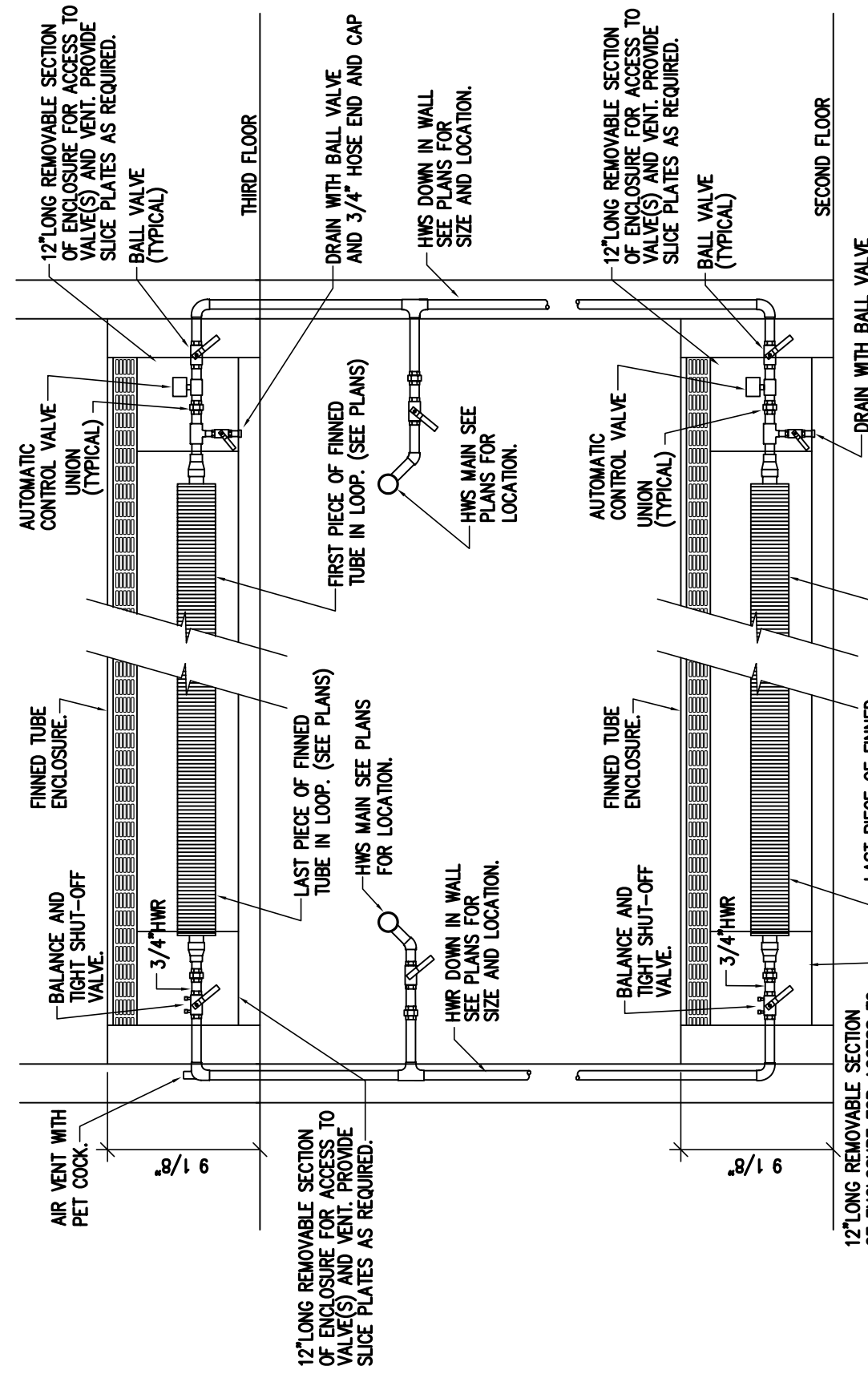
2 TYPICAL LOUVER INSTALLATION  
SCALE: NONE



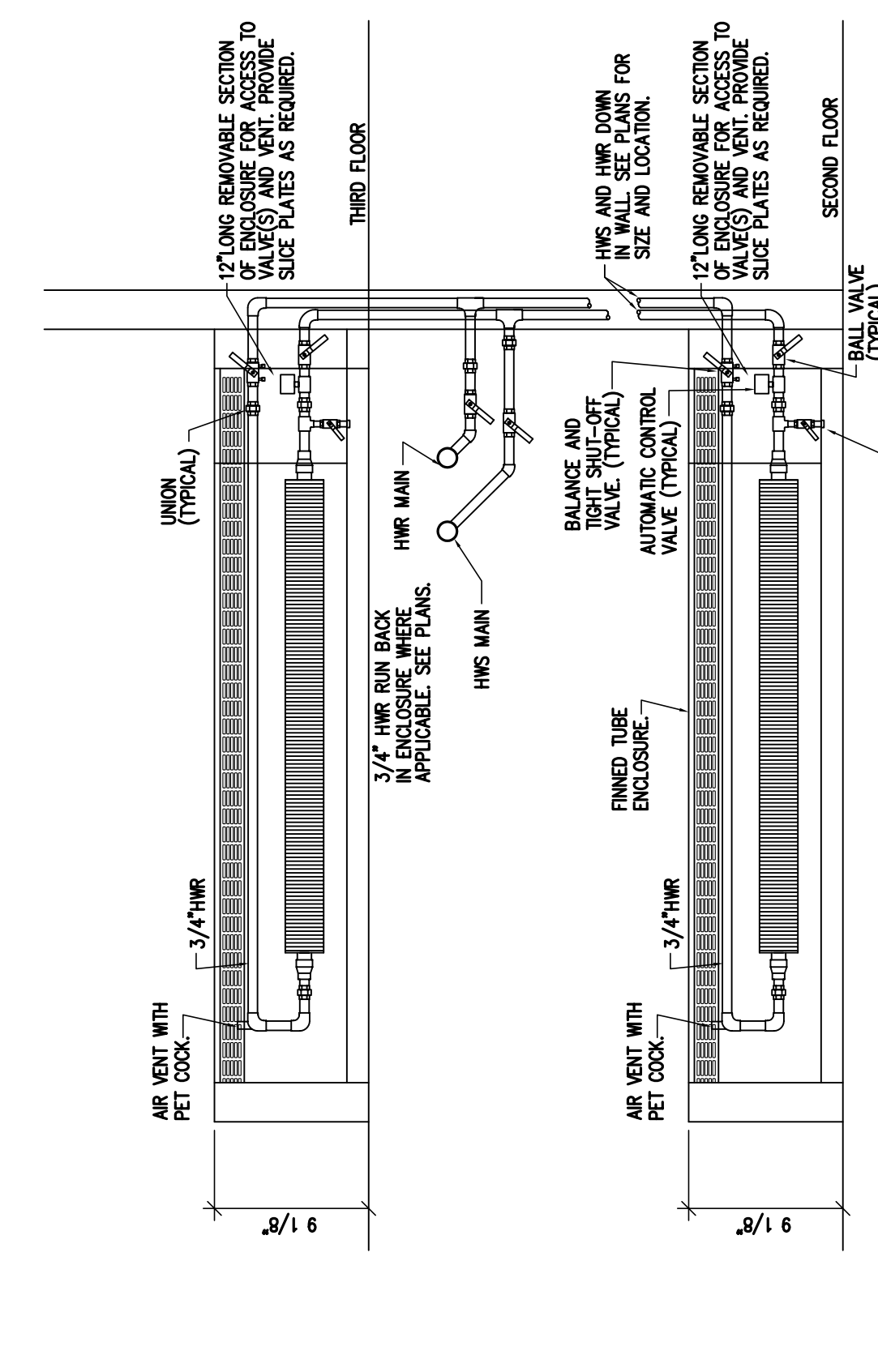
3 FIRE DAMPER INSTALLATION  
SCALE: NONE



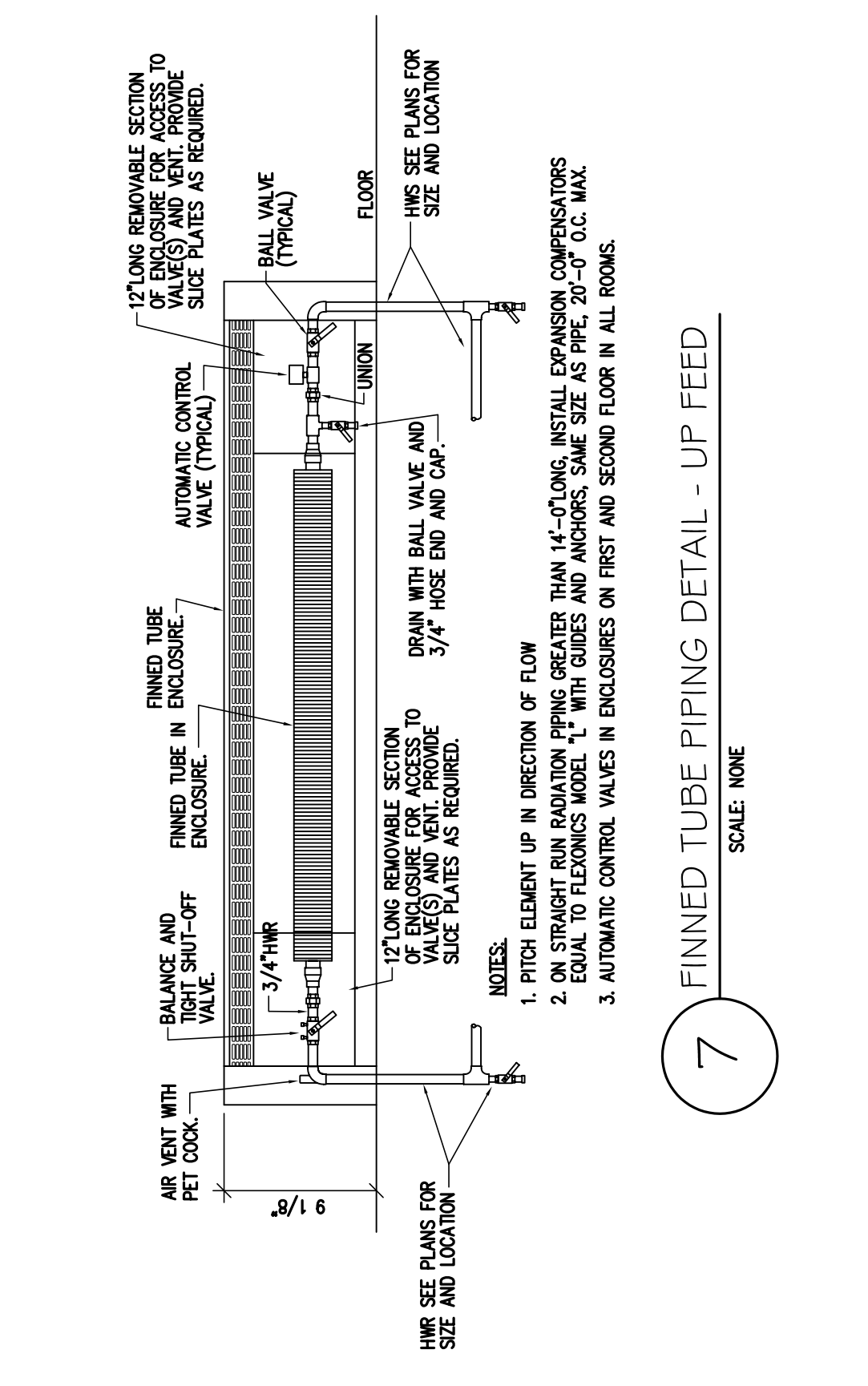
4 BOILER ROOM COMBUSTION AIR INLET  
SCALE: NONE



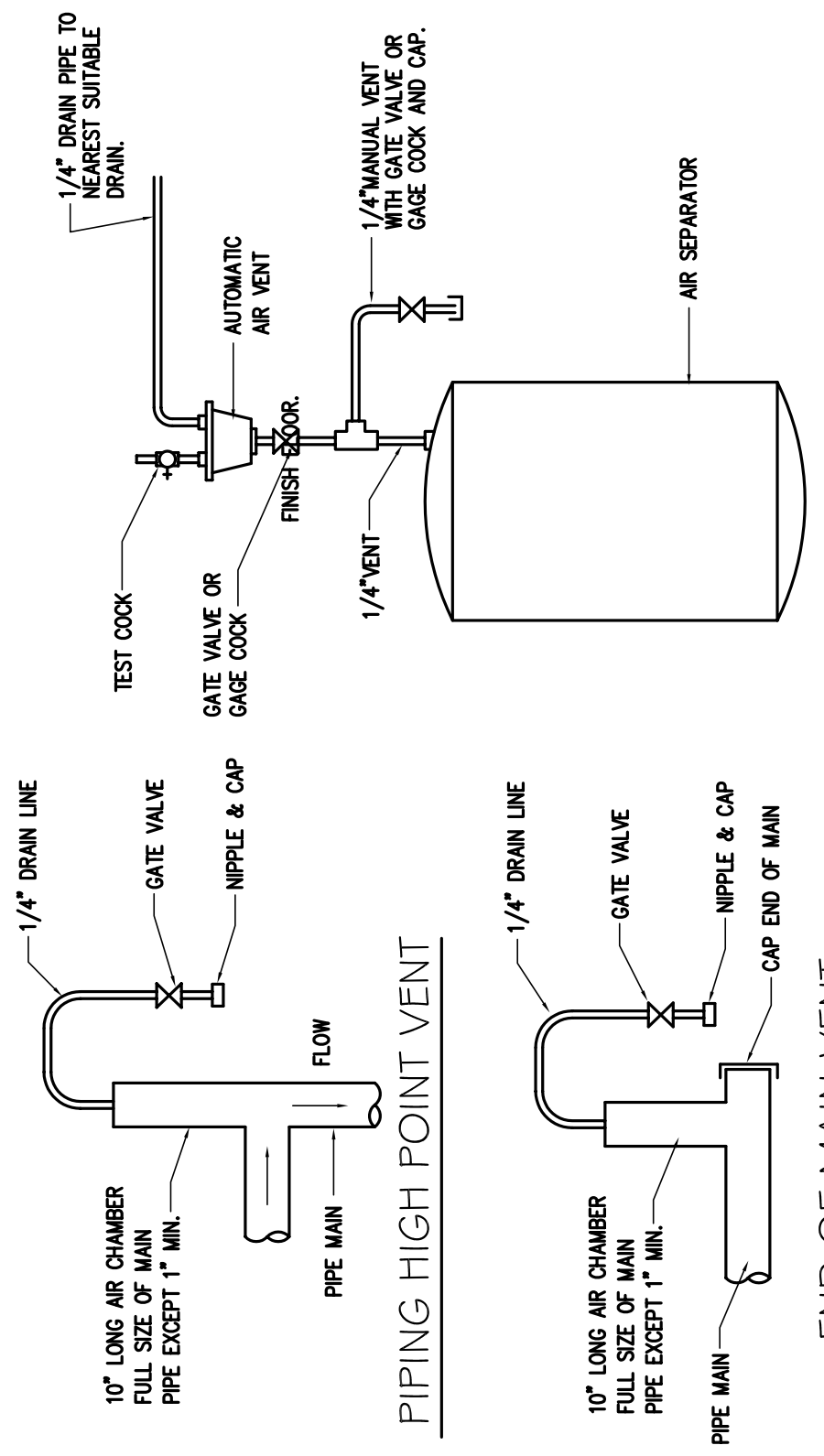
5 FINNED TUBE PIPING DETAIL UP AND DOWN FEED  
SCALE: NONE



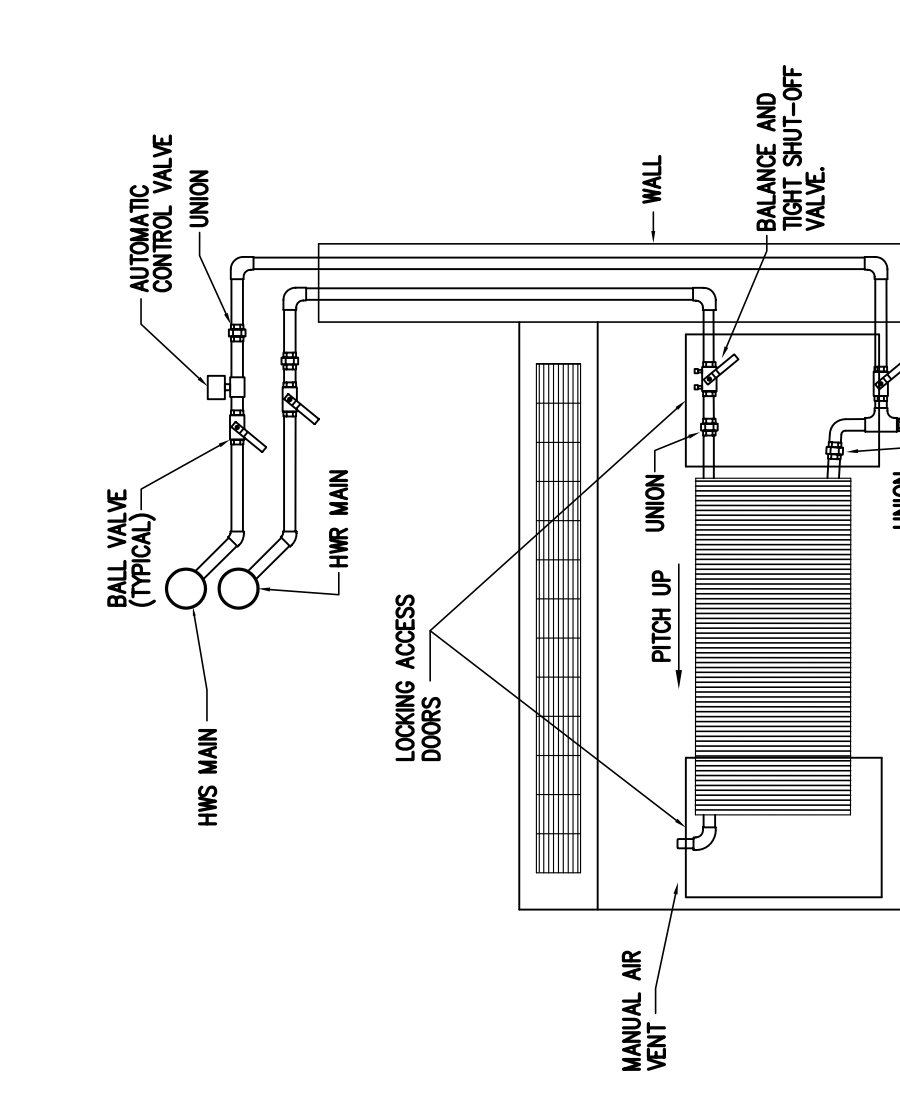
6 FINNED TUBE PIPING DETAIL  
DOWN FEED WITH COMMON END.  
SCALE: NONE



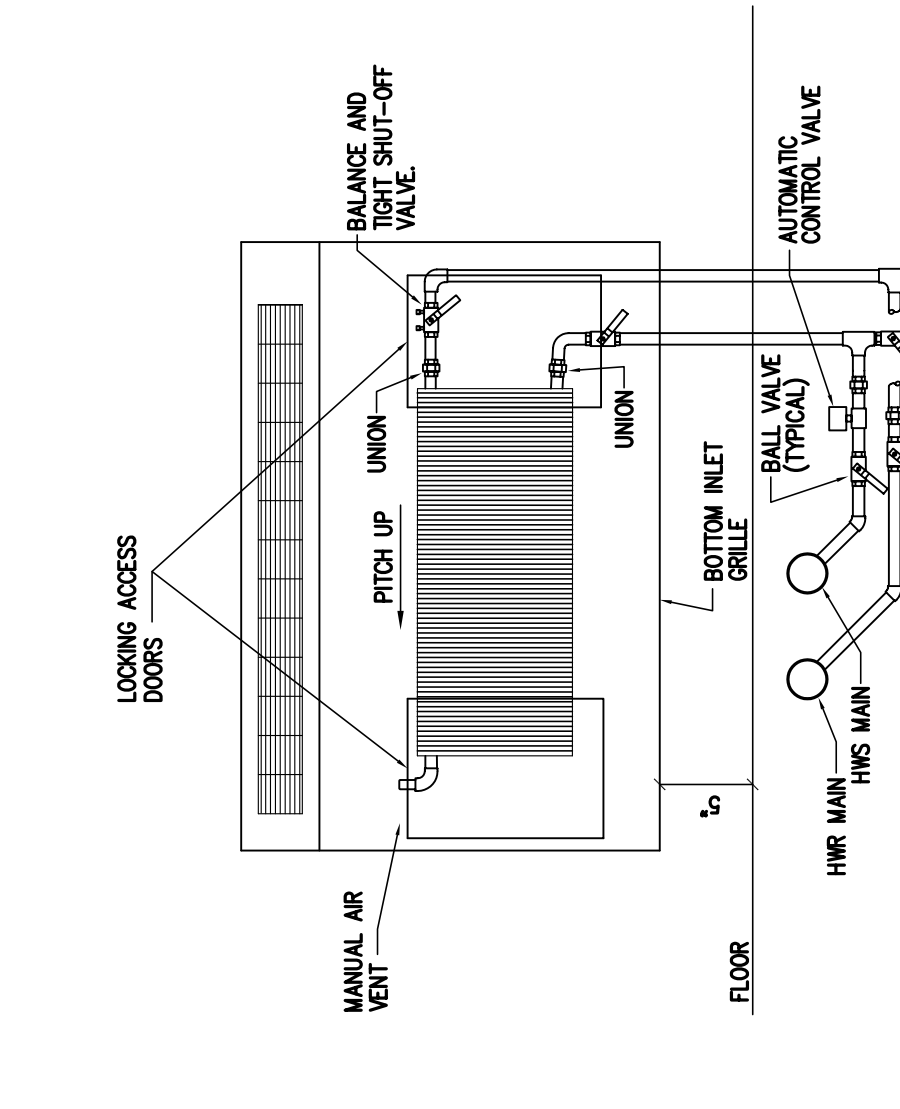
7 FINNED TUBE PIPING DETAIL - UP FEED  
SCALE: NONE



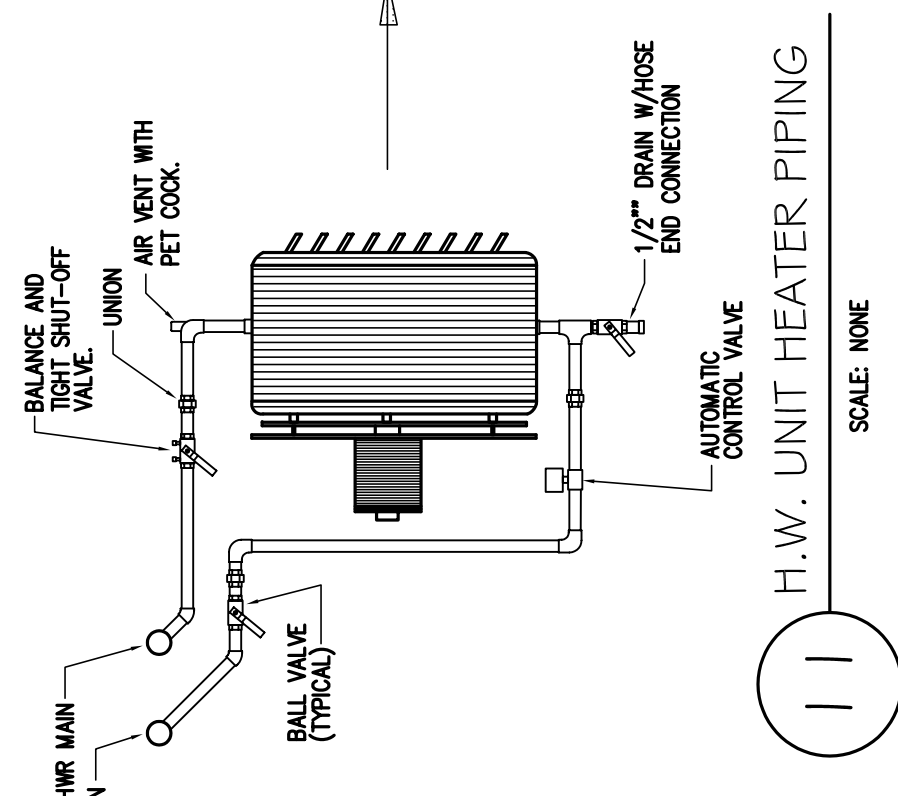
8 TYPICAL PIPE VENT DETAILS  
SCALE: NONE



9 CABINET UNIT HEATER PIPING-DOWN FEED  
SCALE: NONE



10 CABINET UNIT HEATER PIPING-DOWN FEED  
SCALE: NONE



11 H.W. UNIT HEATER PIPING  
SCALE: NONE

