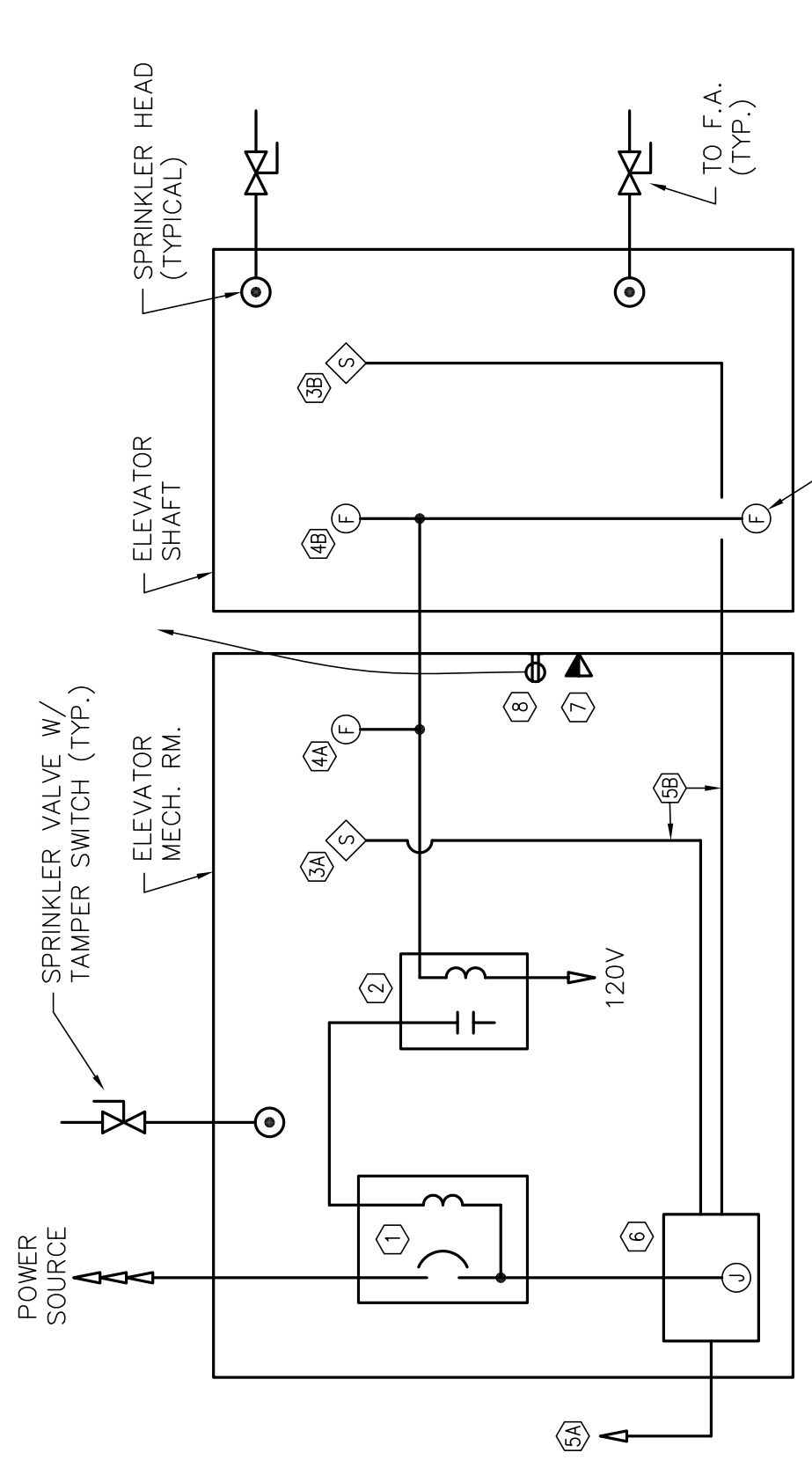


**FIRE ALARM NOTES**

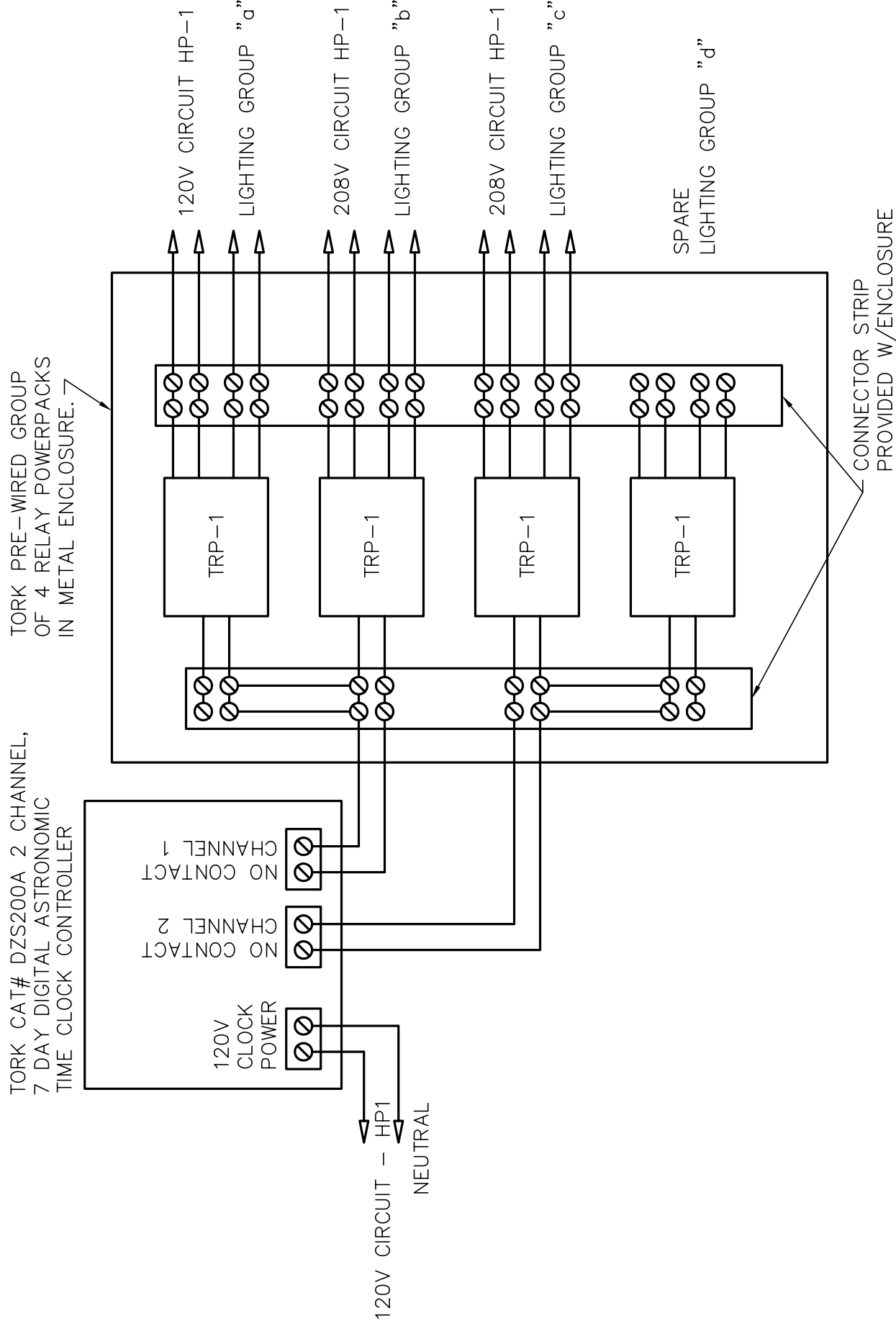
- MINIMUM SIZE CONDUIT SHALL BE 3/4" UNLESS NOTED OTHERWISE.
- SYSTEM WIRING SHALL BE INSTALLED IN CONDUIT AND IN ACCORDANCE WITH EQUIPMENT SUPPLIER'S APPROVED SHOP DRAWINGS AND WIRING DIAGRAMS.
- RISER DIAGRAM DOES NOT SHOW ENTIRE SYSTEM. REFER TO FLOOR PLANS FOR EXACT QUANTITIES AND LOCATIONS OF ALL SYSTEM DEVICES.
- PROVIDE CIRCUITS AS REQUIRED FOR AUDIBLE/VISUAL SIGNALS. ALTERNATELY WIRE AUDIBLE/VISUAL SIGNALS.
- PROVIDE LOCKING CIRCUIT BREAKER HANDLE ON POWER CIRCUIT. HANDLE LOCK SHALL ALLOW THE CIRCUIT BREAKER TO TRIP, BUT PREVENT SWITCHING OF THE CIRCUIT BREAKER TO THE "OFF" POSITION.
- TO AUXILIARY CONTACTS FOR ELEVATOR SHUTDOWN ON ALARM.
- ALL WIRING SHALL BE CONCEALED.

**FIRE ALARM RISER DIAGRAM**  
SCALE: N.T.S.



- NOTES:
- LOCATE SPRINKLER HEADS IN ELEVATOR SHAFT AND IN MACHINE ROOM AS REQUIRED BY NFPA 13.
  - PROVIDE BRANCH SPRINKLER SHUT-OFF VALVES WITH TAMPER SWITCHES PER ASME (ANSI) A17.1-1987, RULE 102.2.
  - SHUNT TRIP BREAKER SHALL OPEN WHEN EITHER THERMAL DETECTOR OPERATES.
- ① CIRCUIT BREAKER WITH SHUNT TRIP.  
 ② AUX. RELAY, 120V COIL, NEMA 1 ENCLOSURE.  
 ③ SMOKE DETECTOR IN ELEVATOR MACHINE ROOM.  
 ④ FIXED TEMP. THERMAL DETECTOR (135) IN ELEVATOR MACHINE ROOM.  
 ⑤ FIXED TEMP. THERMAL DETECTOR (135) IN ELEVATOR SHAFT AND PIT.  
 ⑥ SIGNAL FROM FIRE ALARM PANEL AND SMOKE DETECTORS AT EACH ELEVATOR LANDING.  
 ⑦ WIRING FOR RECALL.  
 ⑧ ELEVATOR CONTROLLER.  
 ⑨ DATA AND TELEPHONE OUTLET FOR ELEVATOR CAR  
 ⑩ OUTLET FOR BATTERY CHARGER AND STAND-BY

TYPE	DESCRIPTION	SUBS.	VOLTAJE	VA	MOUNTING & INSTRUCTIONS	LAMPING
☐	SURE-LITES #C4-WH-347 SELF-POWERED EMERGENCY LIGHTING WITH LEAD CALCIUM BATTERY, 9W HALOGEN HEADS.	OR EQUAL	120	-	WALL SURFACE 7'-6" AFF OR AS INDICATED ON DRAWINGS	INCLUDED 2-9WATT PAR36
☐	SURE-LITES #FT-6-W SINGLE OR #FT-6-DW DOUBLE HEAD REMOTE SPOT, 6W HALOGEN LAMP	OR EQUAL	120	-	WALL SURFACE 7'-6" AFF OR AS INDICATED ON DRAWINGS	INCLUDED 6WATT PAR36
☐	SURE-LITES #C4-7-2-R-WH SELF-POWERED L.E.D. EXT. SIGNAGE DUAL FACE, WITH RED LETTERING.	OR EQUAL	120	-	WALL/CEILING UNIVERSAL MOUNTING FACES AND ARROWS AS INDICATED ON DRAWINGS	INCLUDED L.E.D.
L1	LF-10-70MH208-LG-F KIM LIGHTING	OR EQUAL	208	-	WALL RECESSED 4'-0" AFF	70 WATT METAL HALIDE
L2	PG4-100 MH208-OS KIM LIGHTING	OR EQUAL	208	-	SURFACE MOUNT GARAGE PARKING - BOTTOM OF STEEL BEAM	100 WATT METAL HALIDE WITH 1-4 QUARTZ 50 WATT STAND-BY
L3	W01404-175 MH208-LG-F-HS-S0514 KIM LIGHTING	OR EQUAL	208	-	WALL MOUNTED 16'-0" AFF	175 WATT METAL HALIDE
L4	009-TC-C 120-SS ORION	OR EQUAL	120	-	WALL MOUNTED	22 WATT 15 CIRCUINE
L5	S.3932-307 ANGLE-DOWN MINI SLOT SYSTEMALUX	OR EQUAL	120	-	WALL MOUNTED	PAR 20-COM-R-35W METAL HALIDE
L6	S.3936-307 ANGLE-DOWN MINI SLOT SYSTEMALUX	OR EQUAL	120	-	WALL MOUNTED - AT 16'-0" AFF (4 UNITS) AND 42'-0" AFF (2 UNITS)	COM-170W G12 METAL HALIDE DOWN LIGHT ONLY
L7	LIGHTOLIER 4802ALUT06913 500 CFL WALL SOURCE ELECTRONIC BALLAST	OR EQUAL	120	-	WALL MOUNTED	1-32W T11 CFL FL
L8	LIGHTOLIER 5543MH230H WHITE SPILL RING WITH ELECTRONIC BALLAST	OR EQUAL	120	-	CEILING MOUNTED	2-36W T1 4 PIN
L9	ALKCO #017-RSW, 2' UNDERCABINET LIGHT WITH INTEGRAL ROCKER SWITCH WITH ELECTRONIC BALLAST	OR EQUAL	120	-	SURFACE UNDER CABINET	1-F007 18/3000K
L10	PORTFOLIO #7032E-7051U 7'-3/8" OPEN CLEAR REFLECTOR DOWNLIGHT WITH ELECTRONIC BALLAST	OR EQUAL	120	-	RECESSED IN GYP. CEILING (9 1/4")	1-CF32W T11 4-PIN 3000K
L11	HALO #H241-W011 JELLY JAR WITH WIREGUARD	OR EQUAL	120	-	WALL MOUNTED	1-CF24W 4-PIN 3000K
L12	LIGHTOLIER PRISMALYTE SURFACE - 2x4 PNB2SRAM43212004 - 3 LAMP STATIC LENS AND ELECTRONIC BALLAST	OR EQUAL	120	-	CEILING MOUNTED	3 - 18 LAMPS
L13	LIGHTOLIER JETSTAR - J54A332 - 2 LAMP FOUR FOOT UNIT - STATIC LENS	OR EQUAL	120	-	CEILING MOUNTED	2 - 18 LAMPS
L14	LIGHTOLIER JETSTAR - J52C117 - 1 LAMP TWO FOOT UNIT - WRAP AROUND LENS	OR EQUAL	120	-	CEILING MOUNTED	1 - 18 LAMPS
L15	LUMIROUDE G731WP213M1 WHITE 12" POLYCARBONATE HOUSING	OR EQUAL	120	-	CEILING MOUNTED	2 - 13W TWIN TUBE
L16	DISCOS G700MS38U - 120 ELECTRONIC BALLAST - MATTE SILVER	OR EQUAL	120	-	CEILING MOUNTED	1 - 38W GE-20
L17	LYTECASTER 5" COMP. FLUOR. OPALX DROPPED 1002F1	OR EQUAL	120	-	RECESSED	1 - 13W QUAD
L18	ARCO 4552WHN1 WHITE BALLAST - LOW TEMP.	OR EQUAL	120	-	WALL MOUNTED	1 - 28W QUAD 2 PIN



- NOTES:
- GROUP "a" - BUILDING MOUNTED AND ENTRY LIGHTS - DUSK TO DAWN
  - GROUP "b" - GARAGE PARKING - DUSK TO DAWN
  - GROUP "c" - SITE LIGHTING - DUSK TO DAWN.
  - GROUP "d" - SPARE

NOTE: VERIFY ALL GROUP OPERATING TIMES WITH OWNER BEFORE PROGRAMMING.

**EXTERIOR LIGHTING CONTROL DIAGRAM**  
SCALE: NONE

FOR  
SUBMISSION  
7-12-05

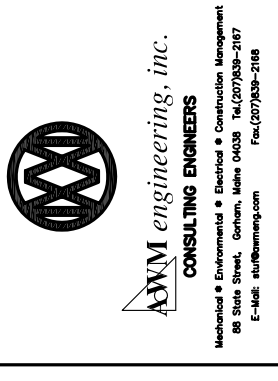
WALKER TERRACE  
ELECTRICAL  
DETAILS, NOTES,  
SCHEDULES & DIAGRAMS

Date: 7-12-05  
Drawn By: CLC  
Revisions:  
Checked By: AWM  
Scale: AS NOTED

ARCHETYPE, P.A.  
ARCHITECTS  
48 Union Wharf Portland, Maine 04101  
(207) 772-6022 Fax (207) 772-4056

WALKER TERRACE  
Walker Street,  
Portland, Maine 04101

Owner:  
MAINE WORKFORCE HOUSING, LLC  
One Longfellow Square, Portland, Maine 04101  
(207) 871-9811 Fax (207) 761-0155



E7