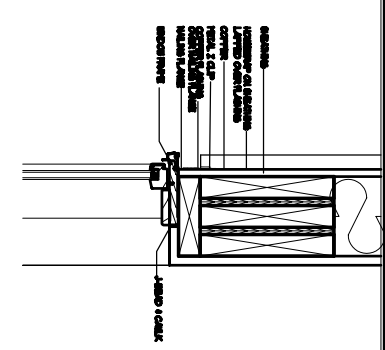
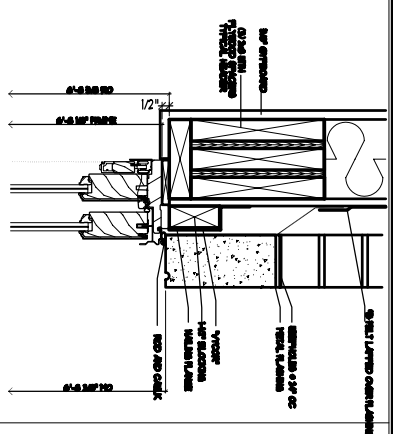


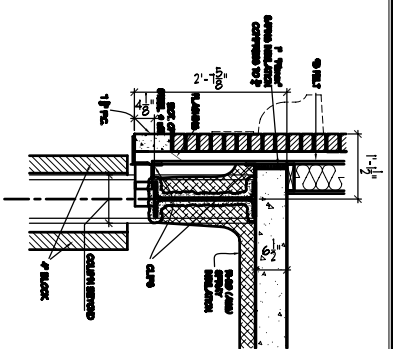
1 TYPICAL WINDOW HEAD IN MASONRY WALL  
SCALE: 3/4\"/>



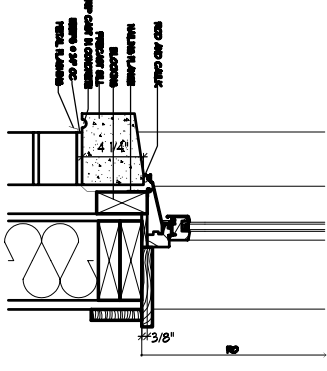
4 TYPICAL WINDOW HEAD IN COPPER CLAD WALL  
SCALE: 3/4\"/>



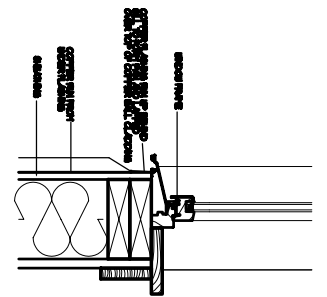
7 SLIDING DOOR HEAD SECTION IN MASONRY WALL  
SCALE: 3/4\"/>



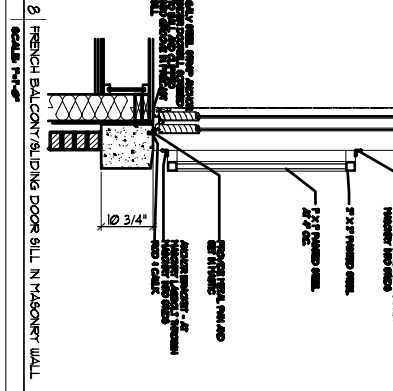
10 2ND FLOOR EDGE DETAIL  
SCALE: 1/4\"/>



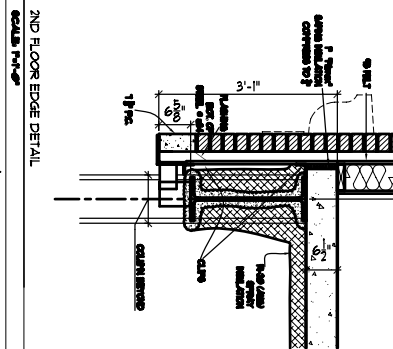
2 TYPICAL WINDOW SILL IN MASONRY WALL  
SCALE: 3/4\"/>



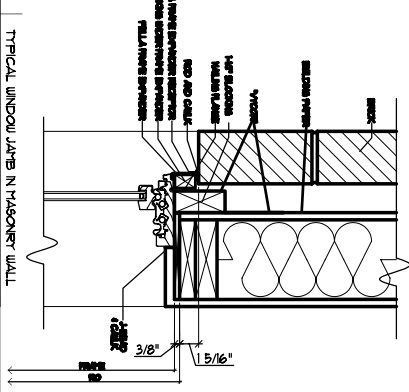
5 TYPICAL WINDOW SILL IN COPPER CLAD WALL  
SCALE: 3/4\"/>



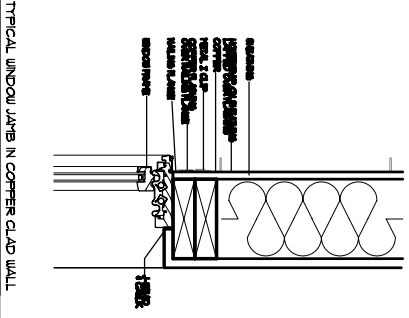
8 FRENCH BALCONY/BUILDING DOOR SILL IN MASONRY WALL  
SCALE: 3/4\"/>



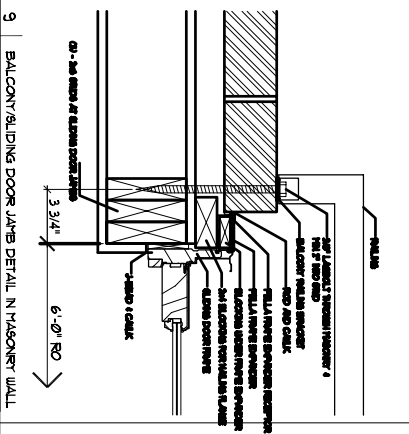
11 2ND FLOOR EDGE DETAIL  
SCALE: 1/4\"/>



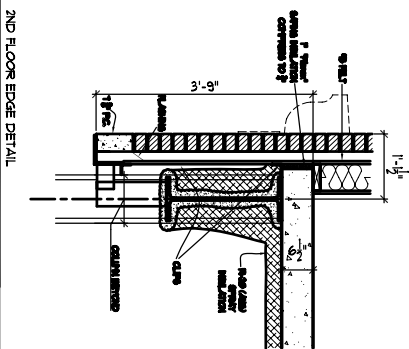
3 TYPICAL WINDOW JAMB IN MASONRY WALL  
SCALE: 3/4\"/>



6 TYPICAL WINDOW JAMB IN COPPER CLAD WALL  
SCALE: 3/4\"/>



9 BALCONY/BUILDING DOOR JAMB DETAIL IN MASONRY WALL  
SCALE: 3/4\"/>



12 2ND FLOOR EDGE DETAIL  
SCALE: 1/4\"/>