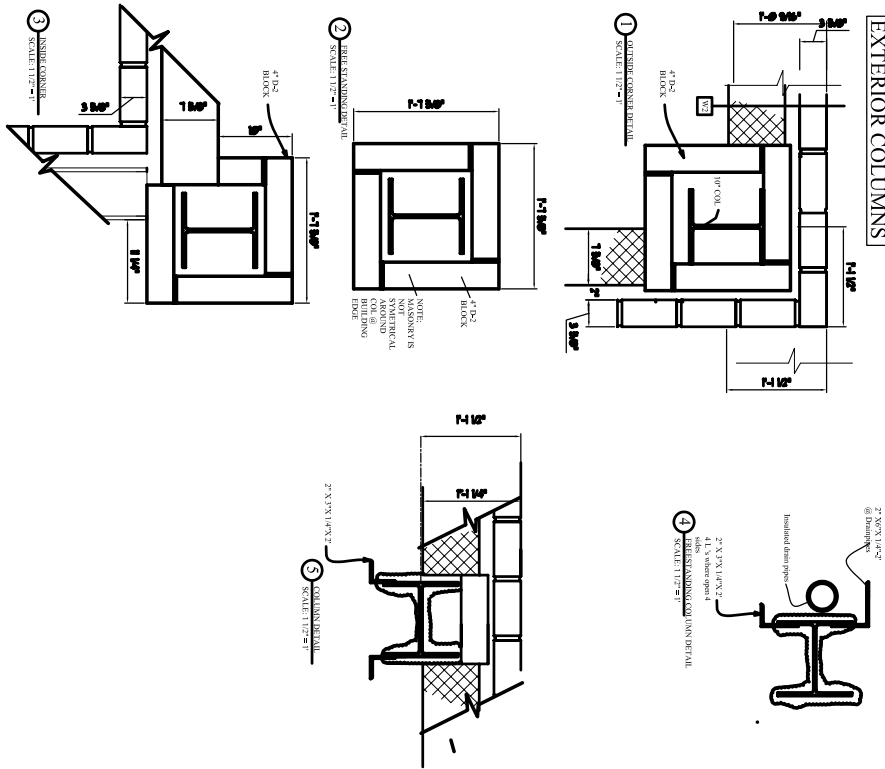
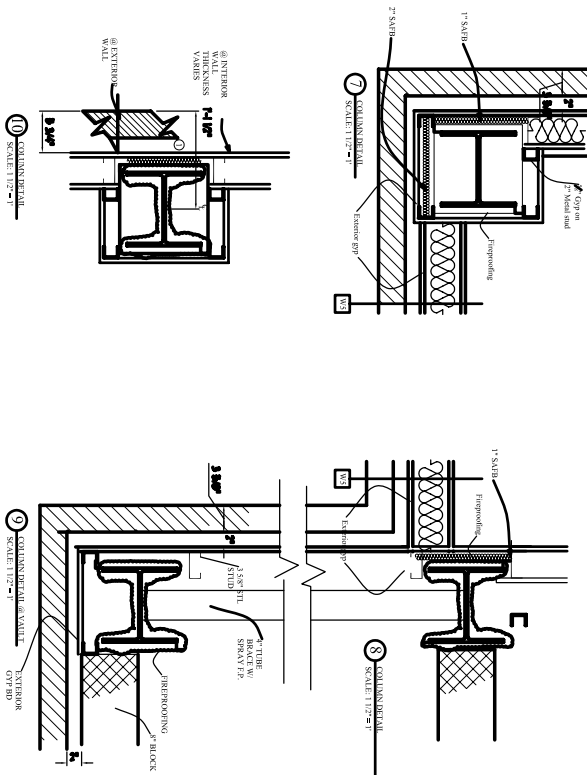


**EXTERIOR COLUMNS**



**INTERIOR COLUMNS**



**A24**

**COLUMN DETAILS**

Project: **WALKER TERRACE**  
ONE WALKER STREET  
PORTLAND, MAINE

Date	12 July 2005	Scale	VARIES
Revisions:		Checked By:	

**ARCHETYPE, P.A. ARCHITECTS**

48 Union Wharf Portland, Maine 04101  
(207) 772-6022 Fax (207) 772-4056

OWNER:  
**MAINE WORKFORCE HOUSING, LLC**  
One Longfellow Square, Portland, Maine 04101  
(207) 871-9811 Fax (207) 761-0155