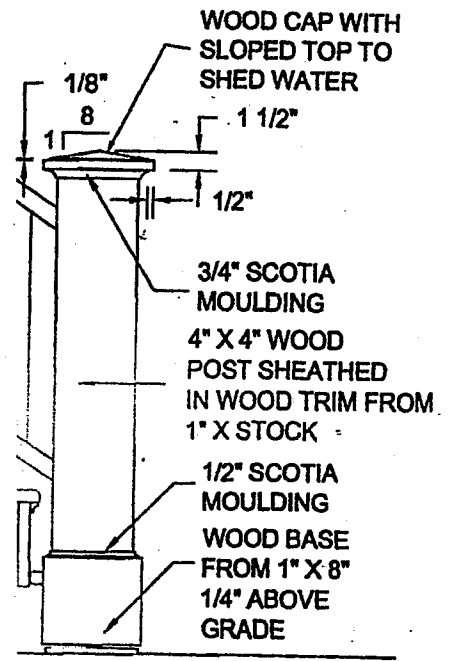
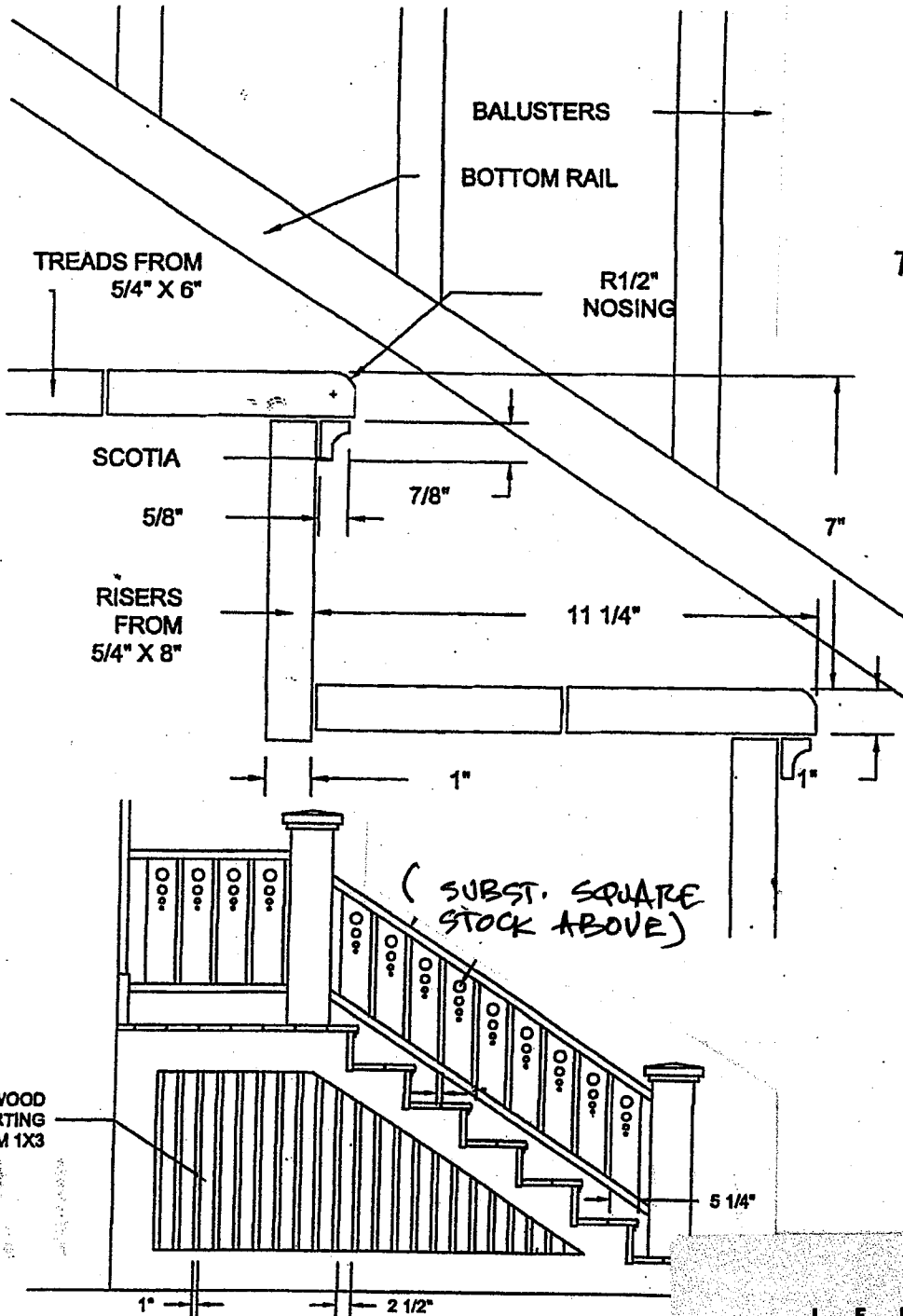


SQUARE OR ROUND BALUSTERS FROM 2" X 2" STOCK. FINISHED SIZE IS 1 1/2" X 1 1/2".

Typical residential risers and treads



Typical Greek Revival Newel Post

*BAKER
RESIDENCE
14 BLYTH CT.
PORTLAND, ME.*

GREEK REVIVAL PORCH DETAILS

**L E L A N D H U L S T
ARCHITECTURAL SERVICES**

278 Spring Street / Portland, Maine 04102 / (207) 773-2843