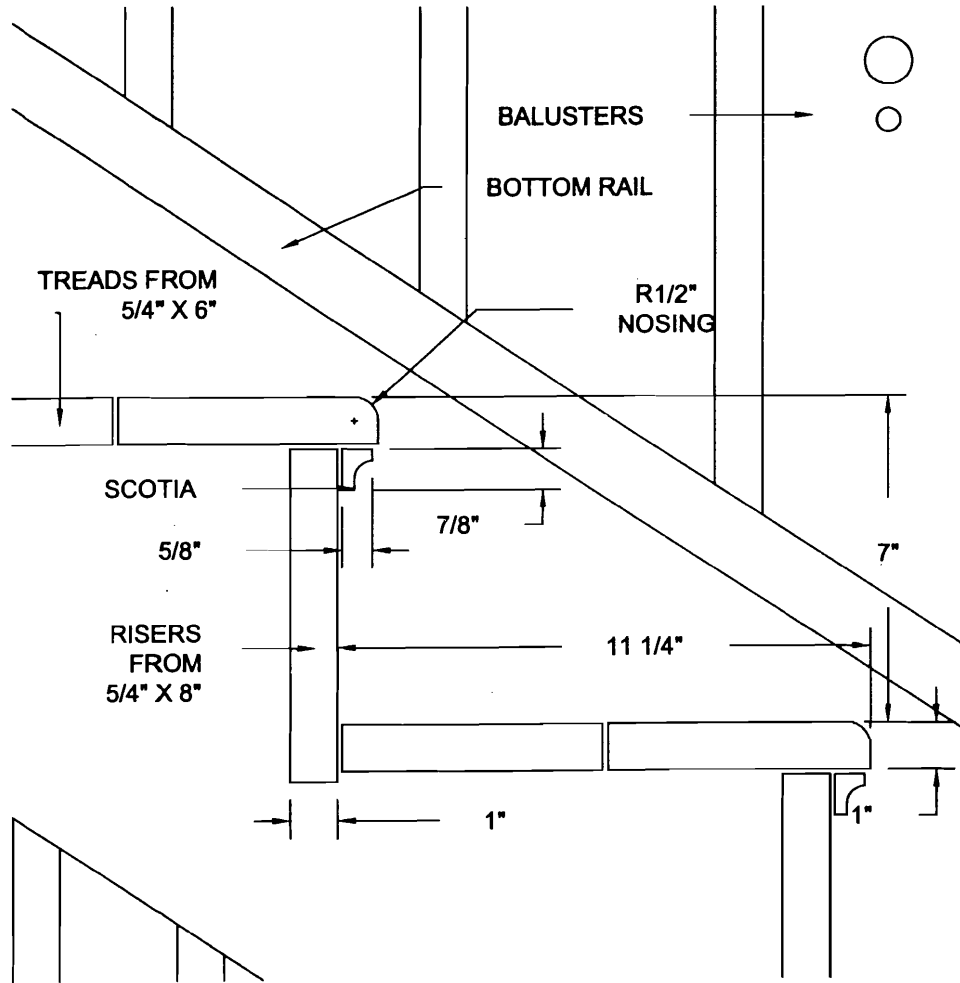
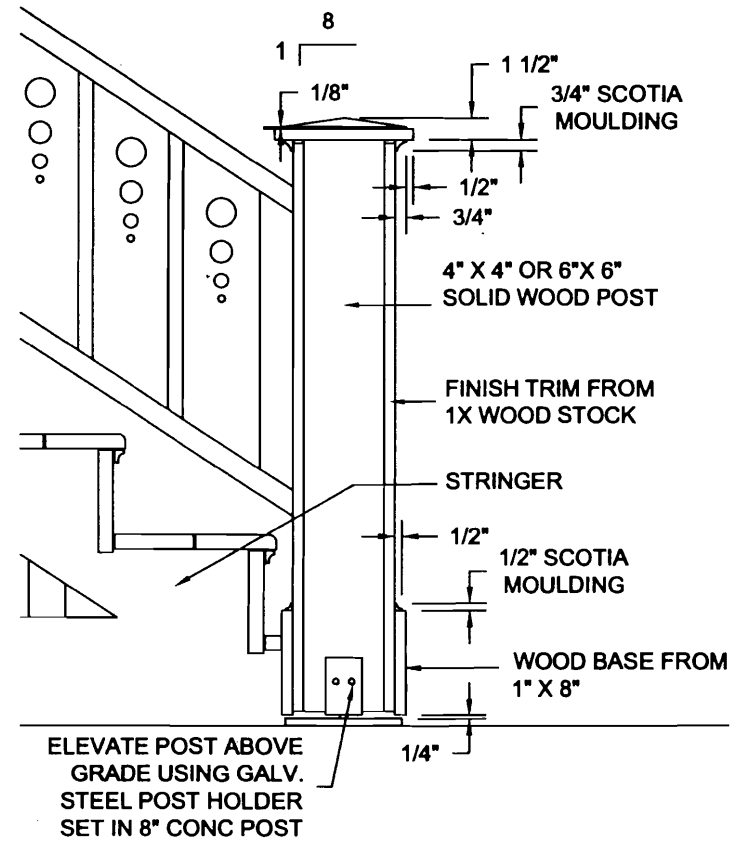


STAIR DETAILS FOR RESIDENTIAL USE

Typical residential risers and treads



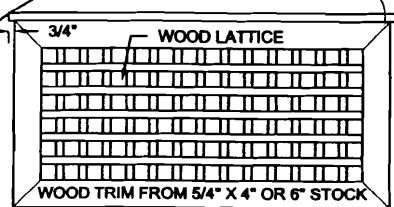
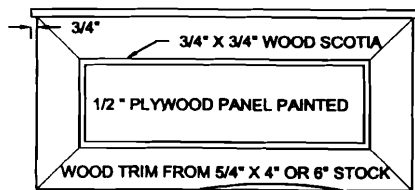
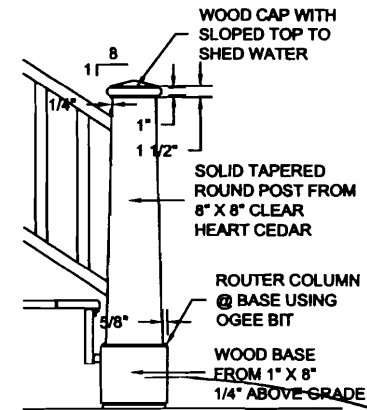
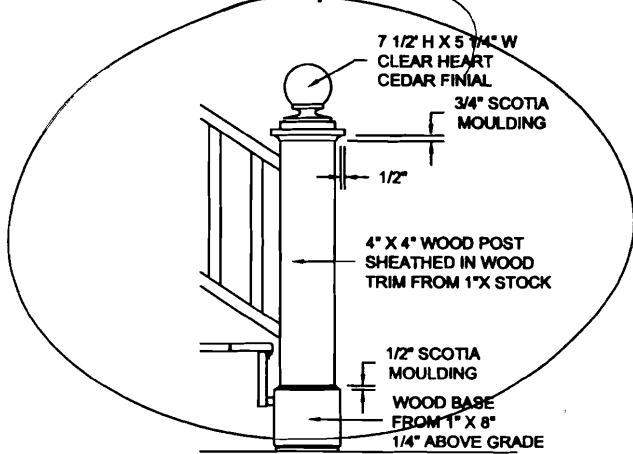
Typical newel post construction



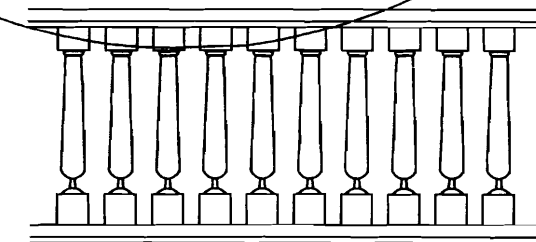
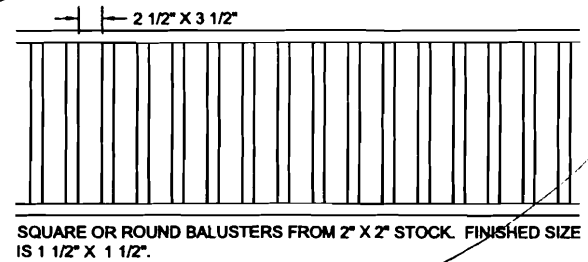
Alternate: Newel post may be bolted to a stringer.

COLONIAL REVIVAL DETAILS

Colonial Revival newel posts



Colonial Revival porch skirting



Colonial Revival baluster