

LIGHTING FIXTURE SCHEDULE  
ALL FIXTURES SHALL BE FURNISHED COMPLETE WITH ALL HARDWARE  
LAMPS, HANGERS, FITTINGS, ETC. FOR A COMPLETE AND PROPER INSTALLATION

TYPE	MANUFACTURER	CATALOG NO.	MTG.	VOLT	LAMPS			REMARKS/BALLAST INFORMATION
					NO.	WATT	TYPE	
A	6" INSULATED CEILING RECESSED HALO	H7UIC7-71PS	R	120	1	60	A19	
B	CHANNEL GLASS BATH BRACKET PROGRESS LIGHTING	P3011-30	W	120	4	60	A19	MOUNT ABOVE MIRROR
C	15" TEXTURED WHITE PROGRESS LIGHTING	P3734-30	C	120	3	60	A19	
D	EXTERIOR WALL MOUNTED FIXTURE PROGRESS LIGHTING	P5917-31	W	120	1	100	A19	SEE ARCHITECTURAL ELEVATIONS FOR MOUNTING HEIGHT
E	NOMINAL 7x48" WRAP PROGRESS LIGHTING	P7186-30	C	120	2	32	F32T8	
F	NOMINAL 16x48" WRAP PROGRESS LIGHTING	P7264-30EB	C	120	4	32	F32T8	
G	NOMINAL 48" WALL MOUNT COLUMBIA	W4-132-EB8LH120	C	120	4	32	F32T8	MOUNT UP 7'-6"

LIGHTING FIXTURE SCHEDULE C1  
NO SCALE REF: NA

LEGEND

- LP-1,3 HOMERUN TO PNLBRD - ARROWS INDICATE NUMBER OF CIRCUITS. CROSS LINES INDICATE NUMBER OF CONDUCTORS OTHER THEN TWO.
- CIRCUIT NUMBER(S)
- PANEL DESIGNATION
- WIRING CONCEALED IN WALL OR CEILING
- WIRING IN EXPOSED RACEWAY
- WIRING IN RACEWAY CONCEALED UNDERGROUND
- 2' x 4' FLUORESCENT FIXTURE
- 1' x 4' FLUORESCENT FIXTURE
- 4' x 6" FLUORESCENT FIXTURE
- 2' x 2' FLUORESCENT FIXTURE
- WALL MOUNTED FIXTURE
- CEILING MOUNTED FIXTURE
- SINGLE POLE SWITCH - MTD CL UP 4'-0"
- THREE-WAY SWITCH - MTD CL UP 4'-0"
- FOUR-WAY SWITCH - MTD CL UP 4'-0"
- DUPLEX CONVENIENCE RECEPTACLE - MOUNTED - CL UP 24" OR AS NOTED
- DUPLEX CONVENIENCE RECEPTACLE - MOUNTED CL UP 48" OR AS NOTED
- GFCI DUPLEX CONVENIENCE RECEPTACLE - MOUNTED CL UP 48" OR AS NOTED
- DOUBLE DUPLEX RECEPTACLE IN TWO GANG WALL BOX - CL UP 24" OR AS NOTED
- TELEPHONE ONLY OUTLET - MTD CL UP SAME AS ASSOCIATED DUPLEX RECEPTACLE, W= WALL CL UP 48"
- SPECIAL OUTLET - COORDINATE TYPE WITH EQUIPMENT. PROVIDE MATCHING CORD AND PLUG. COORDINATE MOUNTING WITH EQUIPMENT.
- ELECTRICAL MOTOR
- MOTOR CONTROL EQUIPMENT
- DISCONNECT SWITCH - FUSED WHEN NOTED. SIZE AS REQUIRED OR AS INDICATED
- FUSED DISCONNECT SWITCH - SIZE FUSES AS RECOMMENDED BY MANUFACTURER
- JUNCTION BOX - SIZE AS REQUIRED OR AS INDICATED
- LIGHTING/POWER PANELBOARD
- EXISTING PANELBOARD
- POWER COMPANY METER
- ENCLOSED CIRCUIT BREAKER
- FIRE ALARM DEVICES -----
- FIRE ALARM CONTROL PANEL
- SMOKE DETECTOR - MOUNTED ON CEILING
- SINGLE STATION SMOKE DETECTOR (TANDEM WIRED) WITH INTERNAL HORN (SOUNDER BASE) - CEILING MOUNTED
- HEAT DETECTOR - MOUNTED ON CEILING
- FIRE ALARM HORN/LIGHT UNIT. CANDLE POWER (CD) PER NFPA 72 AND AS NOTED - MOUNTED BOTTOM OF LENS UP 80" ON WALL
- FIRE ALARM STROBE LIGHT UNIT. CANDLE POWER (CD) PER NFPA 72 AND AS NOTED - MOUNTED BOTTOM OF LENS UP 80" ON WALL
- FIRE ALARM MANUAL PULL STATION - MOUNTED CL UP 4'-0" ON WALL
- SPRINKLER FLOW SWITCH
- SPRINKLER TAMPER SWITCH
- EMERGENCY LIGHTING DEVICES -----
- EXIT SIGN WITH ARROWS AS INDICATED - CEILING MOUNTED, EXCEPT AS NOTED
- EXIT SIGN WITH ARROWS AS INDICATED - WALL MOUNTED TIGHT TO CEILING, EXCEPT AS NOTED
- EMERGENCY LIGHTING BATTERY UNIT - WALL MOUNTED UP 7'-6". NUMERAL INDICATES BATTERY ID NUMBER. SEE SPEC FOR DC WIRE SIZES.
- EMERGENCY LIGHTING REMOTE HEAD WITH NUMBER OF HEADS AS INDICATED - MOUNTED UP 7'-6". NUMERAL INDICATES BATTERY UNIT CONNECTED TO.
- MISCELLANEOUS -----
- CONTROL PANEL
- PUSH BUTTON - MTD UP 4'-0" OR AS INDICATED
- ELECTRIC DOOR HOLDER
- TELEVISION COAXIAL OUTLET - MOUNTED UP SAME AS ASSOCIATED RECEPTACLE
- RELAY OR CONTACTOR - SIZE AS REQUIRED OR AS INDICATED
- WEATHER PROOF
- KEYNOTE TAG
- ITEMS SHOWN DASHED ARE EXISTING

HARRIMAN ASSOCIATES  
Architects + Engineers  
One Ashbur Business Park  
Ashburn, Maine 04210  
207.784.5100 tel  
207.783.3017 fax  
www.harriman.com  
Full-time committed  
since 1970  
© 2003

Project Title  
**BRACKETT ST. RESIDENCE RENOVATIONS**  
PORTLAND, MAINE

HA Project No. **03171**

Key Plan

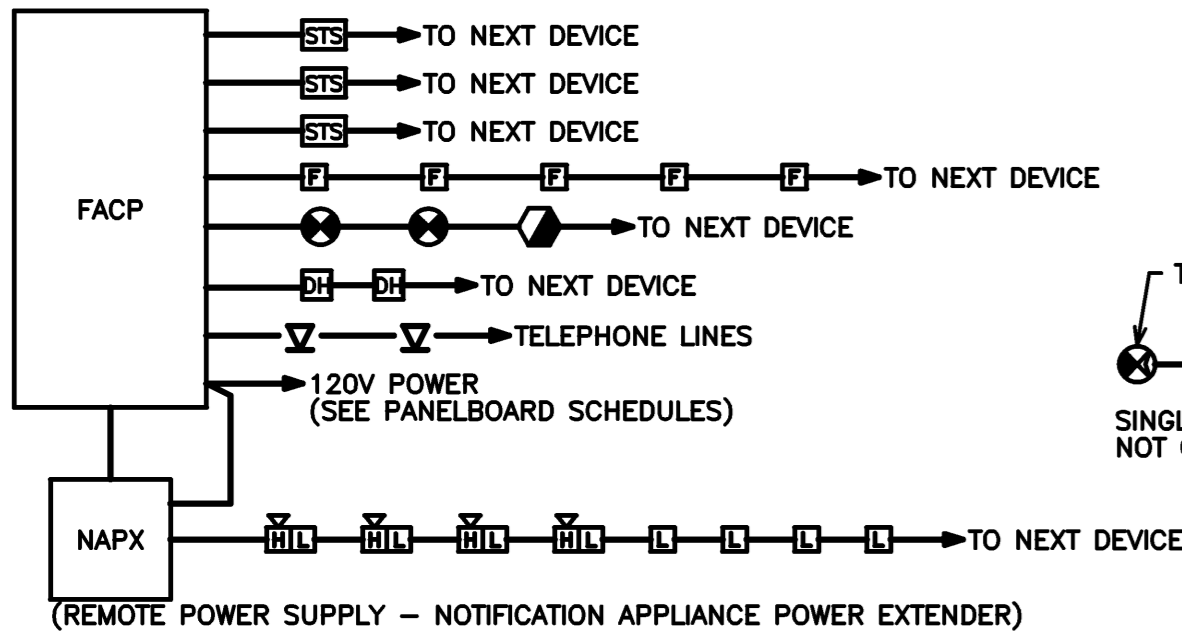
P1 VOLTAGE: 120/240 PH & WIRES: 1P 3W BUSES: 200A MAIN BREAKER: 200A MAIN BRKR AIC RATING: 10K AIC MOUNTING: SURFACE LOCATION: BASEMENT FEEDER: SEE RISER

LOAD DESCRIPTION	AMP	L1	L2	DWC CRKT NO.	WATTS	WATT LOADS			WATTS	L1	L2	DWC CRKT NO.	L1	L2	AMP	LOAD DESCRIPTION
						PH A	PH B	WATTS								
TUB 1 OF 1 - REMARKS:																
P1A	100	2	1	1	13511	7955	----	1200	2	2	1	20	RCPTS - BASEMENT & STAIR			
*1 HOOD FIRE SUPPRESSION	20	1	5	5	250	946	----	696	6	6	1	20	BOILER			
*1 FACP	20	1	7	7	1000	----	1200	200	8	8	1	20	CIRC PUMP			
*1 SMOKE DETECTORS	20	1	9	9	27	4827	----	9600	10	10	2	50	RANGE HOOD			
1ST FL RCPTS - BATH	20	1	11	11	200	----	5000	12	---	---	---	---	RANGE			
* 1ST FL RCPTS - OFFICE	20	1	13	13	1000	2200	----	1200	14	14	1	20	DISHWASHER			
1ST FL RCPTS - LIVING RM	20	1	15	15	1400	----	2096	696	16	16	1	20	REFRIGERATOR			
1ST FL RCPTS - OFFICE	20	1	17	17	1400	2000	----	600	18	18	1	20	RCPTS - KITCHEN COUNTER			
SPARE	20	1	19	19	0	----	800	800	20	20	1	20	RCPTS - KITCHEN COUNTER			
SPARE	20	1	21	21	0	800	----	800	22	22	1	20	RCPTS - KITCHEN			
SPARE	20	1	23	23	0	----	1476	1476	24	24	1	20	RCPTS - MICROWAVE			
SPARE	20	1	25	25	0	0	----	0	26	26	1	20	SPARE			
SPARE	20	1	27	27	0	----	0	0	28	28	1	20	SPARE			
SPARE	20	1	29	29	0	240	----	240	30	30	1	20	LTG - BASEMENT			
SPARE	20	1	31	31	0	----	1400	1400	32	32	1	20	* LTG - 1ST FL			
SPARE	20	1	33	33	0	560	----	560	34	34	1	20	LTG - 1ST FL			
SPARE	20	1	35	35	0	----	1780	1780	36	36	1	20	* LTG - 2ND FL			
SPARE	20	1	37	37	0	360	----	360	38	38	1	20	* LTG - 3RD FL			
SPARE	20	1	39	39	0	----	720	720	40	40	1	20	LTG - STAIR			
TOTAL AMPS:174					19888	21924										TOTAL WATTS:41812
REMARKS:																* = ARC-FAULT CIRCUIT BREAKER, *1 = PROVIDE C/B HANDLE LOCK TO ALLOW BREAKER TO TRIP BUT NOT TURNED OFF

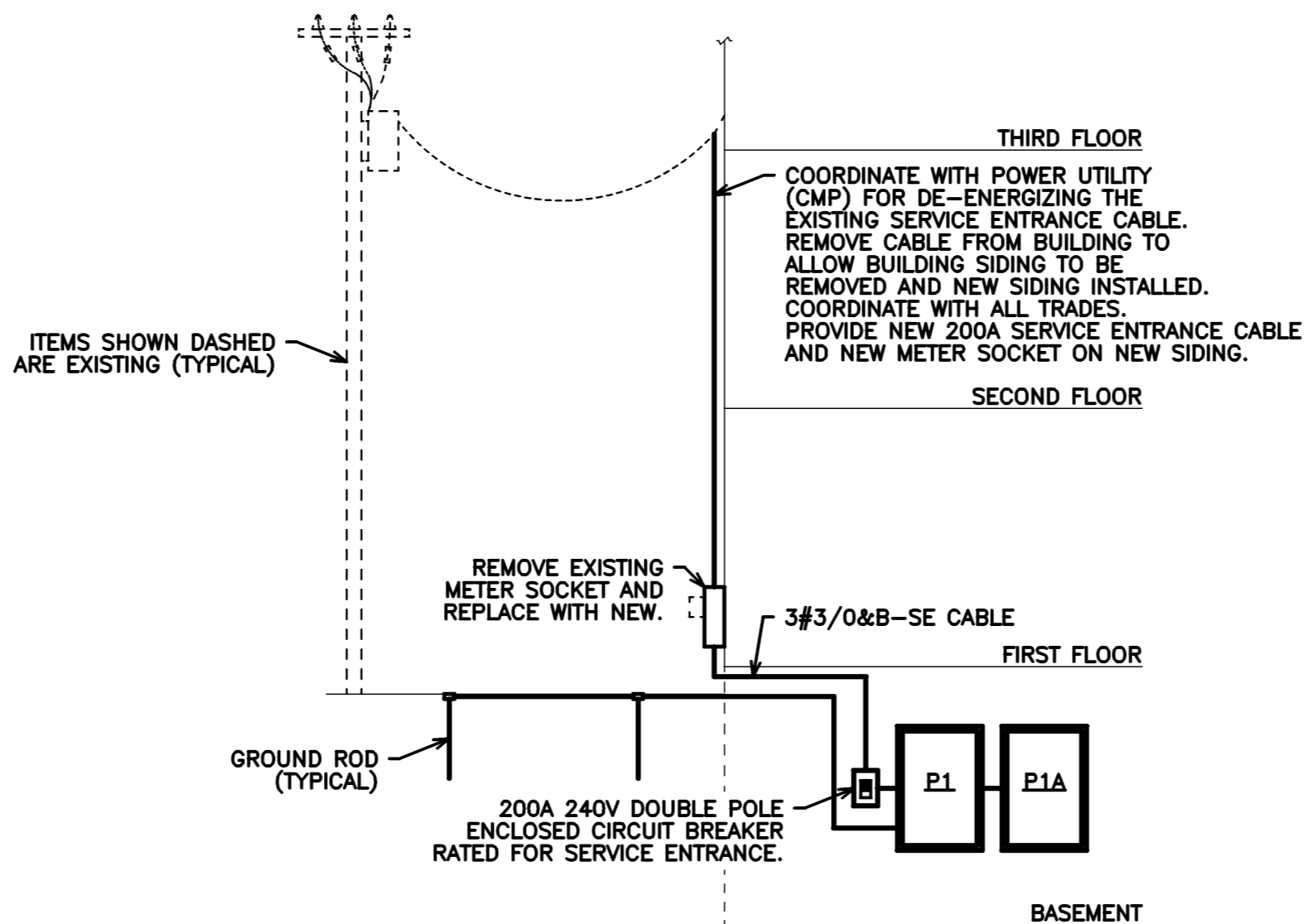
P1A VOLTAGE: 120/240 PH & WIRES: 1P 3W BUSES: 100A MAIN BREAKER: MLO AIC RATING: 10K AIC MOUNTING: SURFACE LOCATION: BASEMENT FEEDER: SEE RISER

LOAD DESCRIPTION	AMP	L1	L2	DWC CRKT NO.	WATTS	WATT LOADS			WATTS	L1	L2	DWC CRKT NO.	L1	L2	AMP	LOAD DESCRIPTION
						PH A	PH B	WATTS								
TUB 1 OF 1 - REMARKS:																
* 3RD FL RCPTS - BEDRM	20	1	1	1	1200	1200	----	0	2	2	1	20	SPARE			
* 3RD FL RCPTS - BEDRM	20	1	3	3	1200	----	1200	0	4	4	1	20	SPARE			
2ND FL RCPTS - HALL	20	1	5	5	400	400	----	0	6	6	1	20	SPARE			
* 2ND FL RCPTS - BEDRM	20	1	7	7	1200	----	1200	0	8	8	1	20	SPARE			
* 2ND FL RCPTS - BEDRM	20	1	9	9	1200	1200	----	0	10	10	1	20	SPARE			
* 2ND FL RCPTS - BEDRM	20	1	11	11	1200	----	1200	0	12	12	1	20	SPARE			
* 2ND FL RCPTS - BEDRM	20	1	13	13	1200	1200	----	0	14	14	1	20	SPARE			
2ND FL RCPTS - BATHRM	20	1	15	15	200	----	200	0	16	16	1	20	SPARE			
2ND FL RCPTS - DRYER	30	2	17	17	5000	2500	----	0	18	18	1	20	SPARE			
																SPARE
2ND FL RCPTS - WASHER	20	1	21	21	696	----	696	0	22	22	1	20	SPARE			
*1 SMOKE DETECTORS	20	1	23	23	15	----	15	0	24	24	1	20	SPARE			
TOTAL AMPS:56					7196	6315										TOTAL WATTS:13511
REMARKS:																* = ARC-FAULT CIRCUIT BREAKER, *1 = PROVIDE C/B HANDLE LOCK TO ALLOW BREAKER TO TRIP BUT NOT TURNED OFF

PANELBOARD SCHEDULES B1  
NO SCALE REF: NA



FIRE ALARM RISER A3  
NO SCALE REF: NA



POWER RISER A2  
NO SCALE REF: NA

LEGEND A1  
NO SCALE REF: NA

Mark	Date	Description
-	10-18-04	ISSUED FOR BID

Drawing Status

Drawing Title  
**ELECTRICAL LEGEND**  
PA / PE: PRM Drawn By: PRA/JMB  
Drawing Number

**E00.1**