

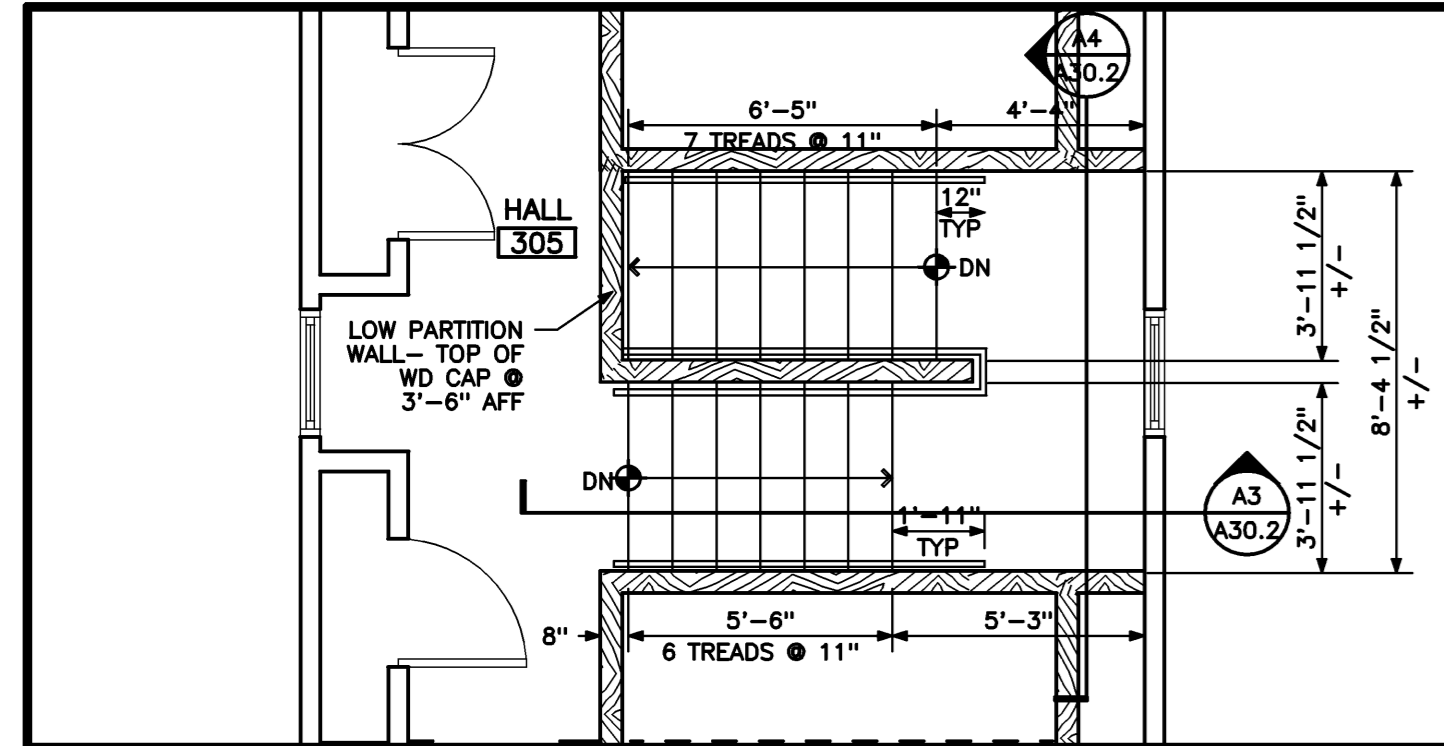
Project Title
BRACKETT ST. RESIDENCE RENOVATIONS
 PORTLAND, MAINE

HA Project No. **03171**

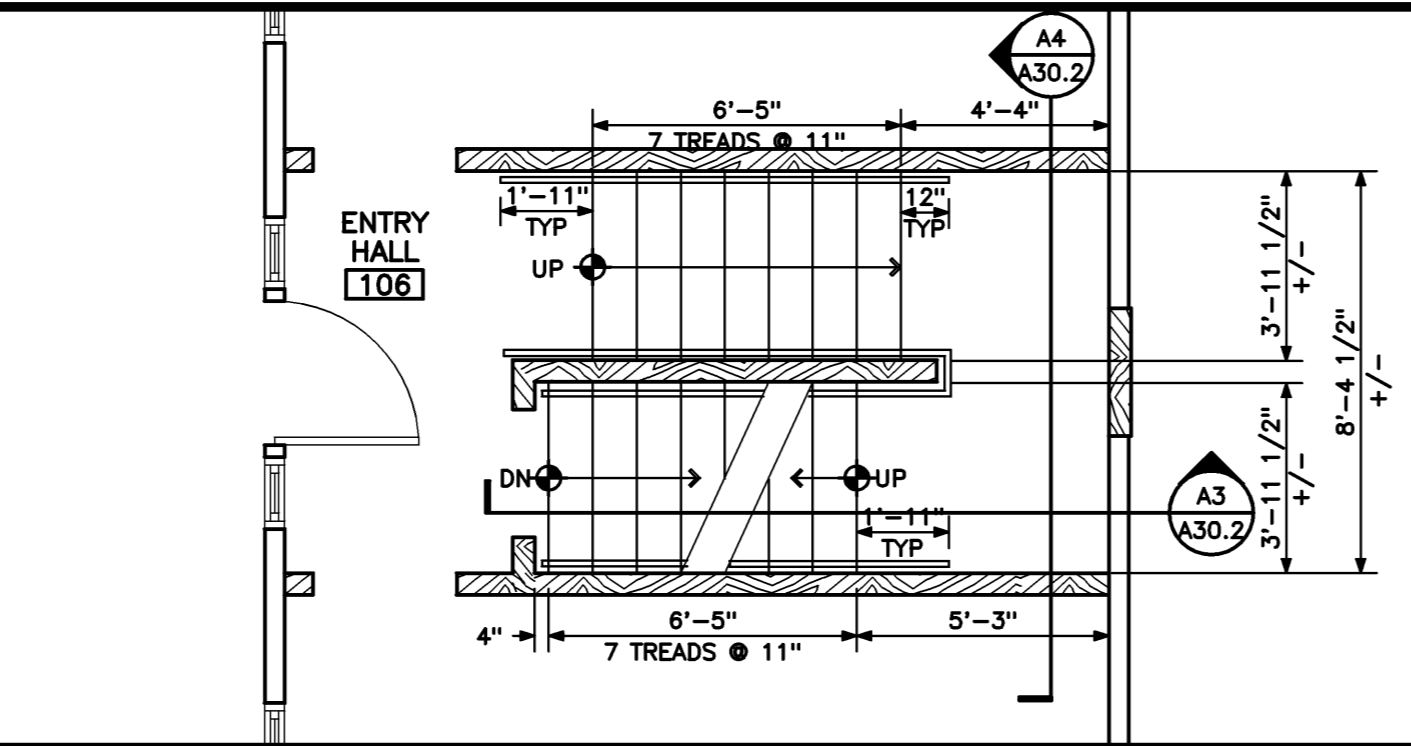
Key Plan

10-18-04	ISSUED FOR BID
Mark	Date
	Description
Issue Dates	
Drawing Status	

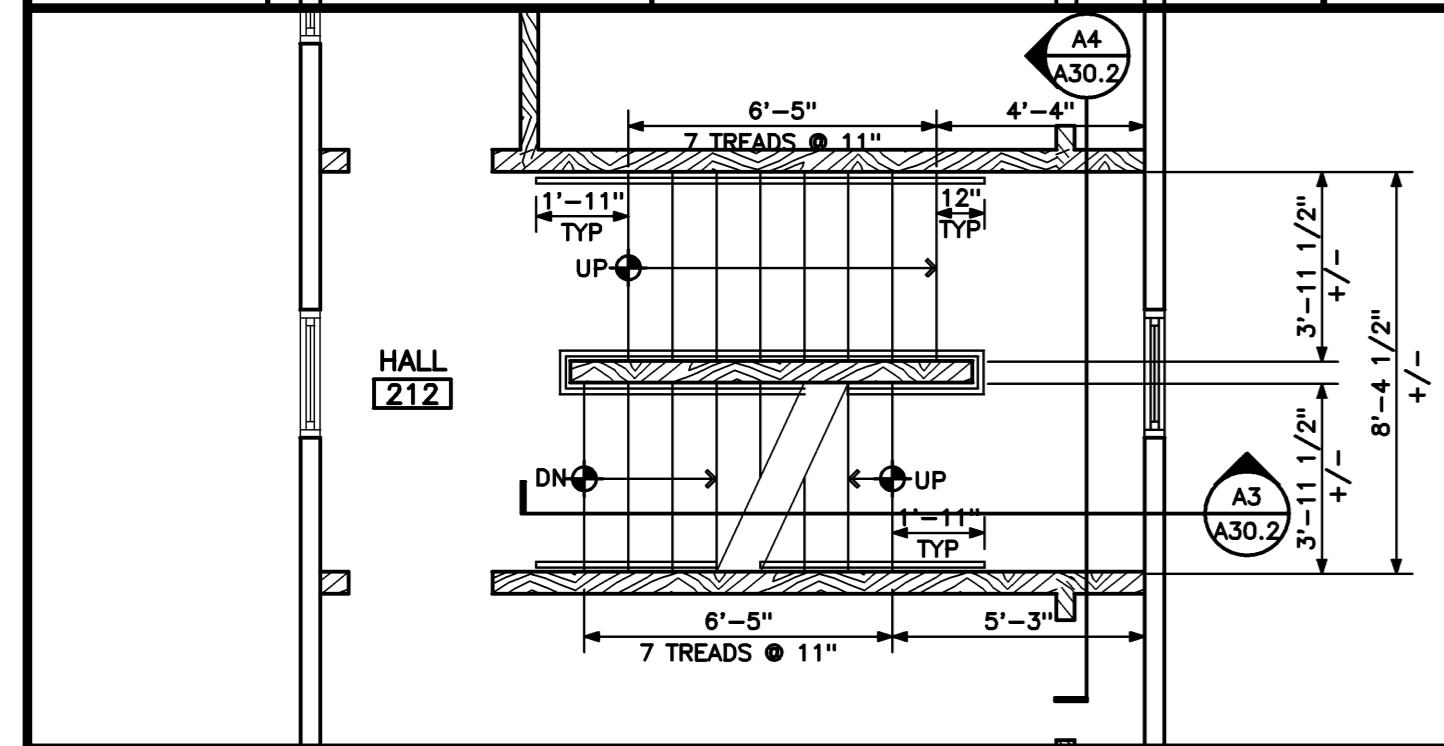
Drawing Title	
STAIR SECTIONS AND DETAILS	
PA / PE: RJF	Drawn By: RJF/mcm
Drawing Number	
A30.2	



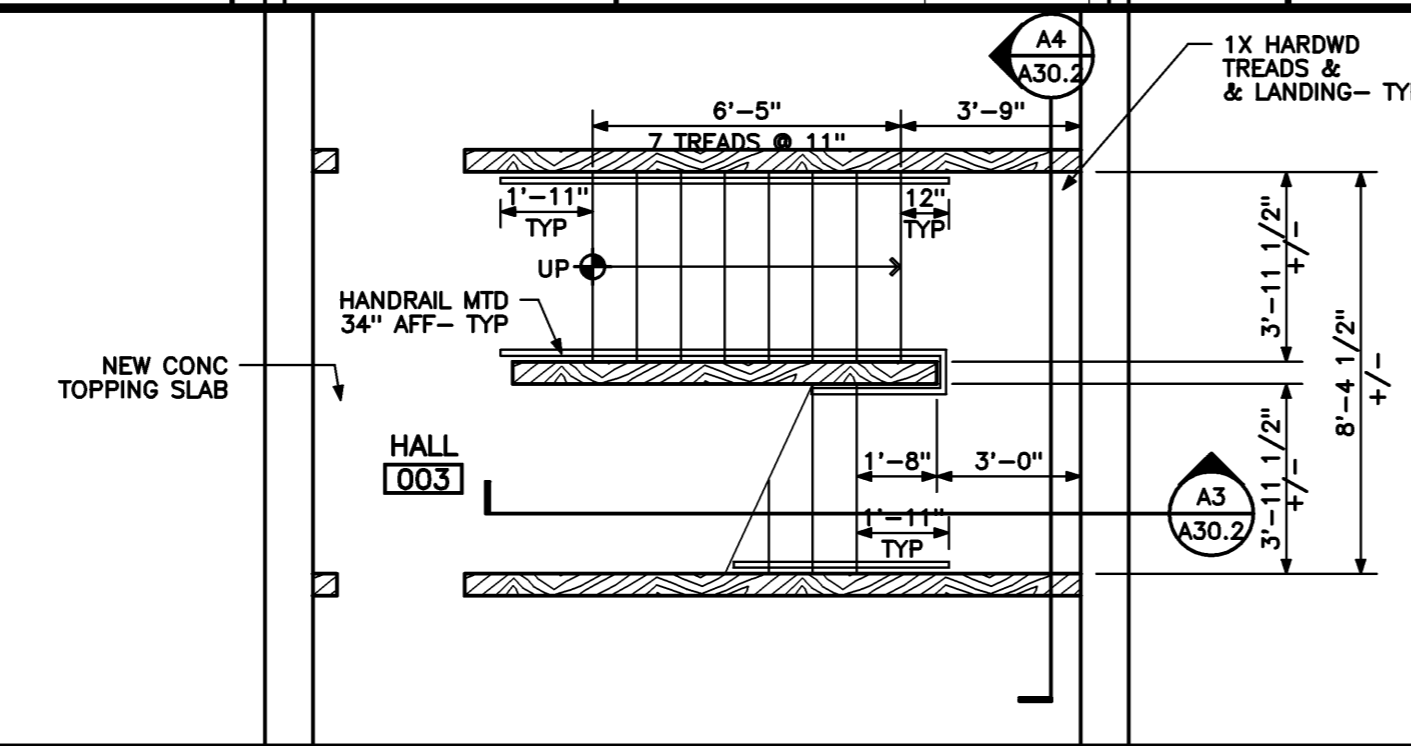
THIRD FLOOR STAIR PLAN
 1/4" = 1'-0" REF: NA **D4**



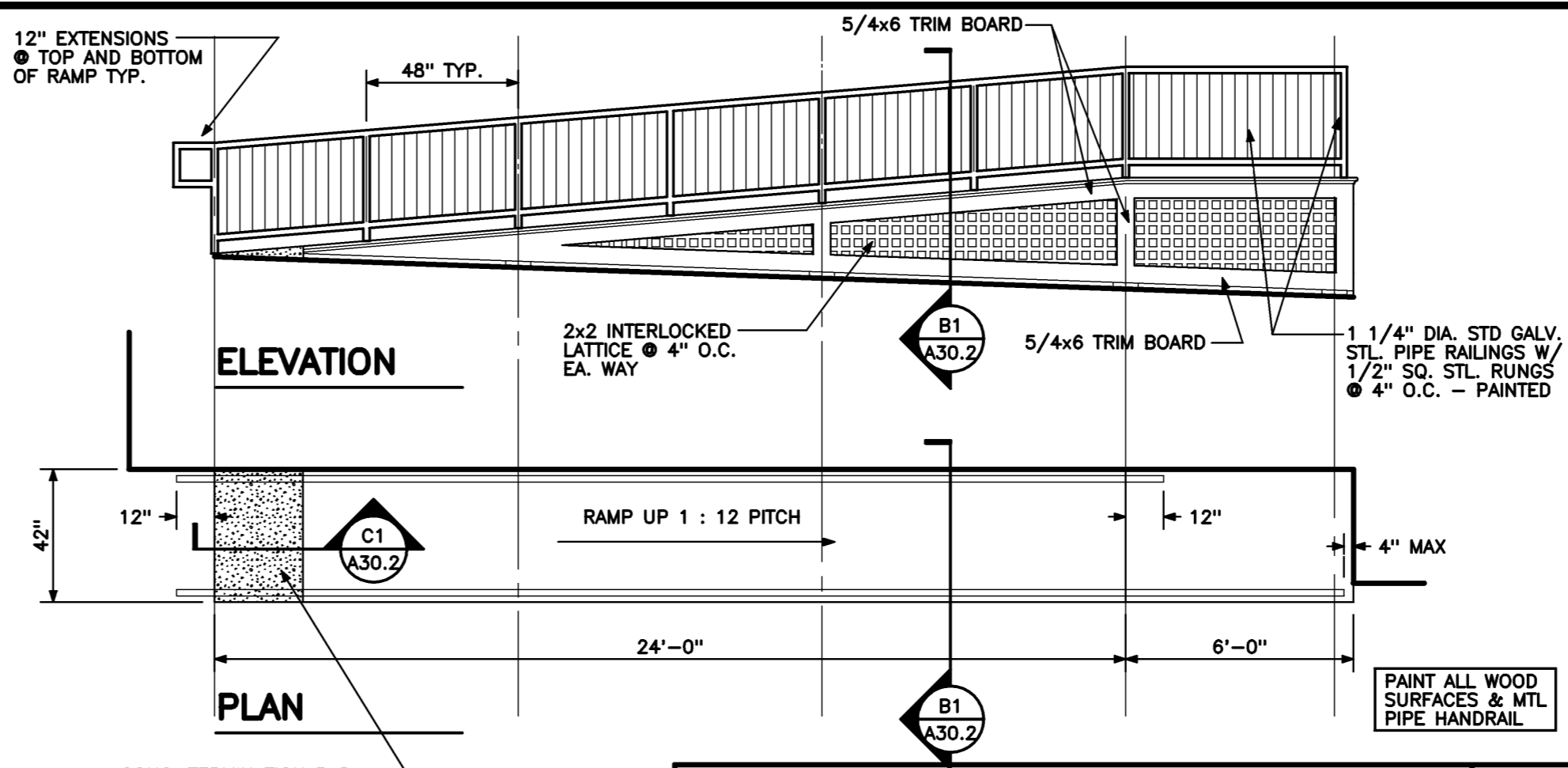
FIRST FLOOR STAIR PLAN
 1/4" = 1'-0" REF: NA **D3**



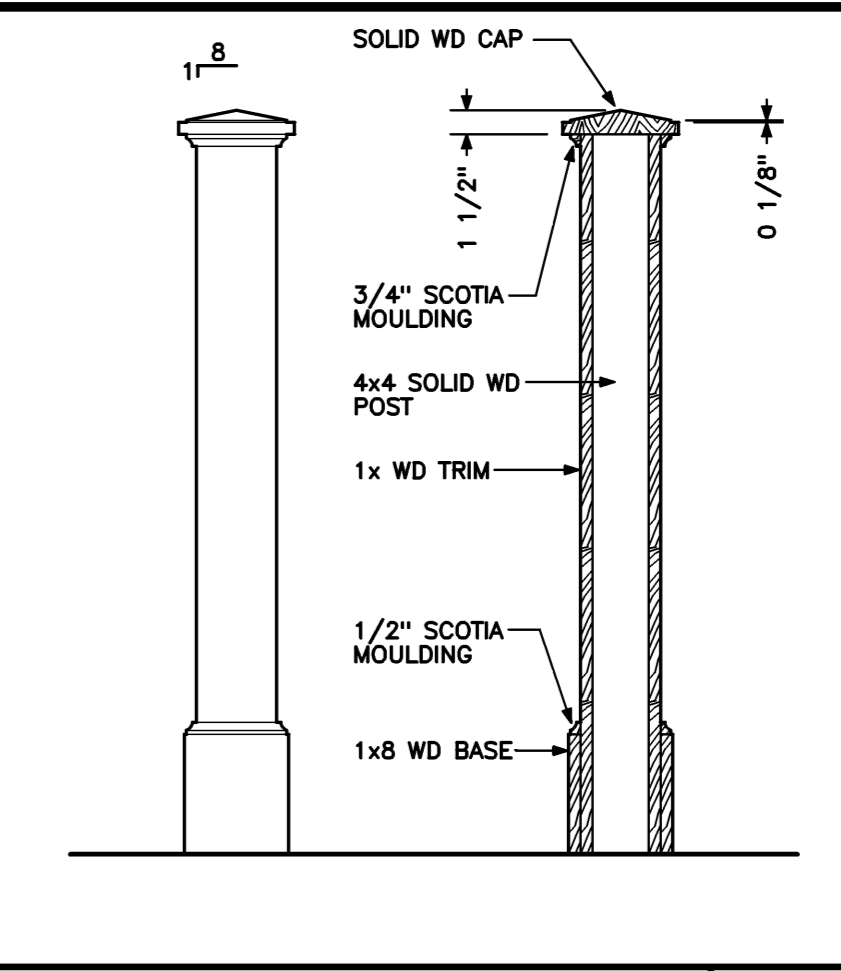
SECOND FLOOR STAIR PLAN
 1/4" = 1'-0" REF: NA **C4**



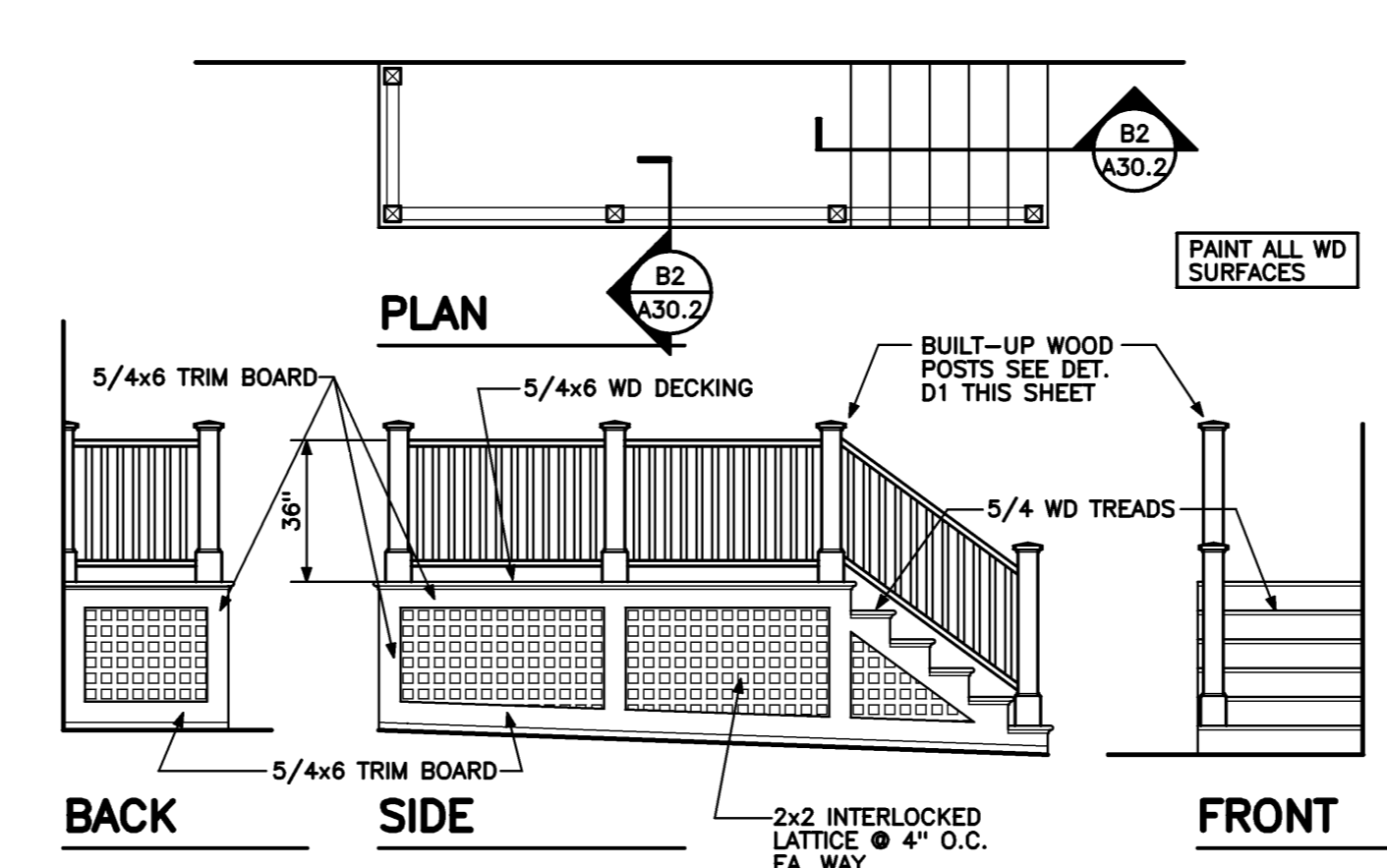
BASEMENT STAIR PLAN
 1/4" = 1'-0" REF: NA **C3**



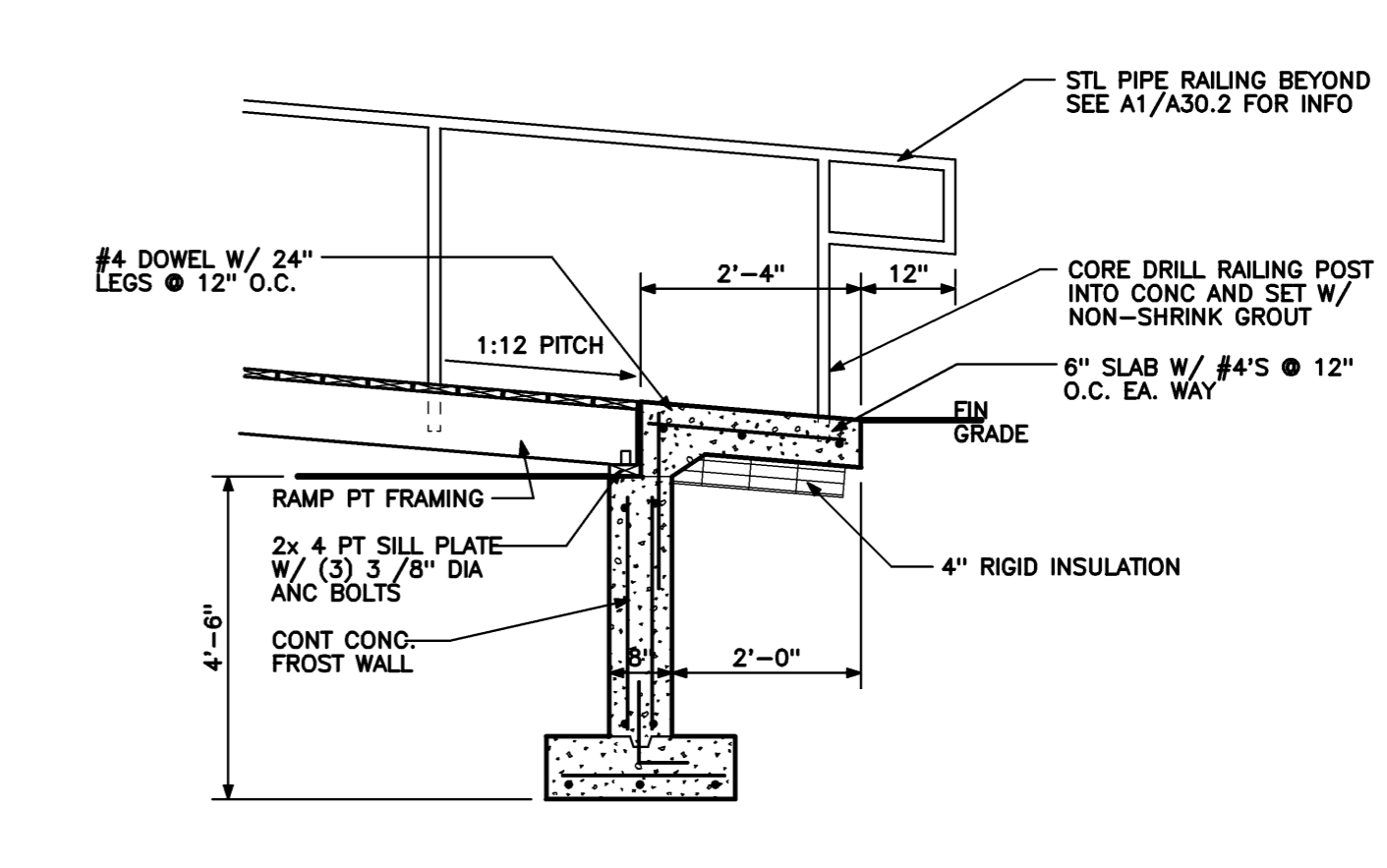
EXTERIOR RAMP ELEVATION
 1/4" = 1'-0" REF: NA **D2**



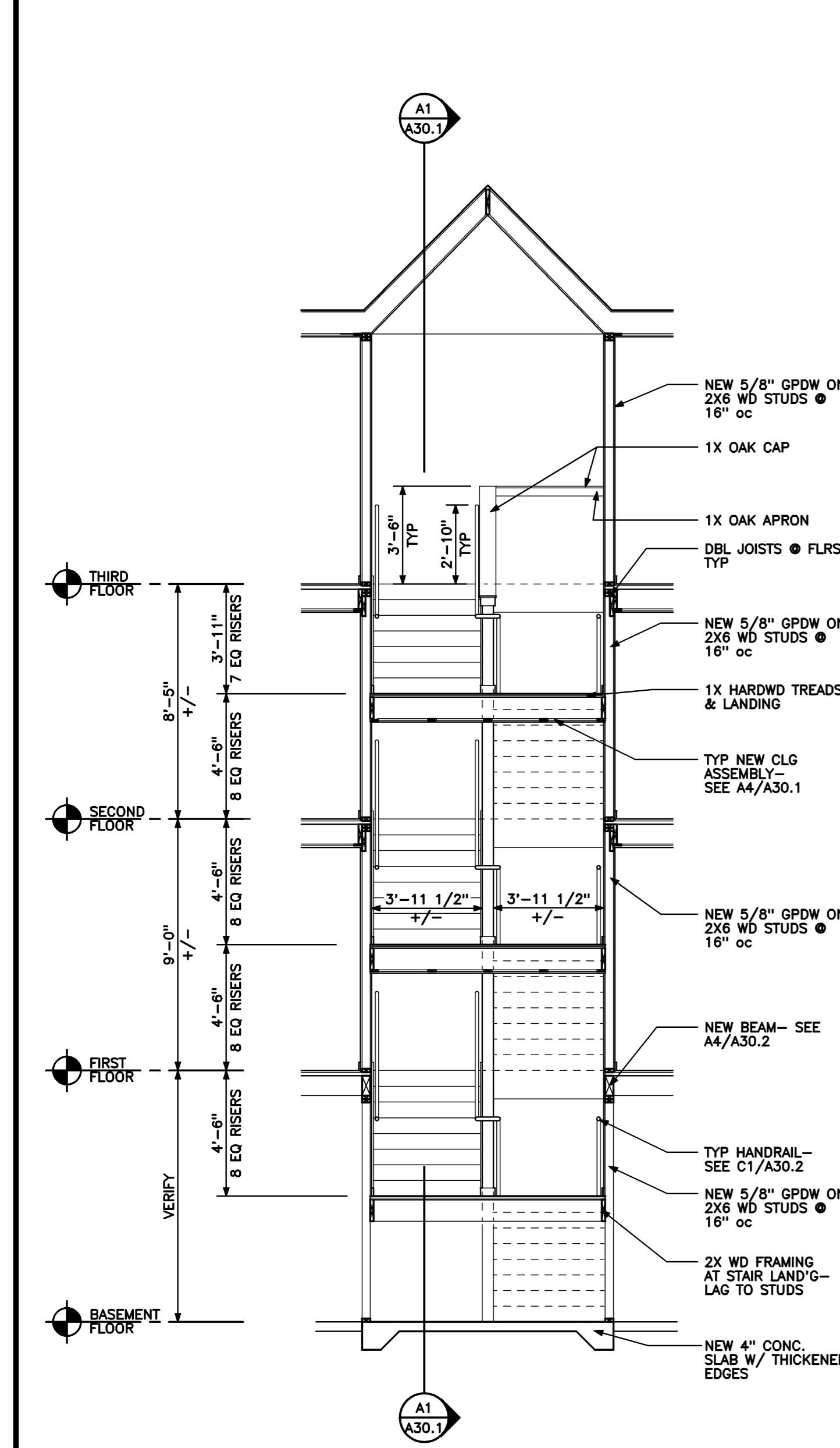
TYP. POST DETAIL
 1" = 1'-0" REF: NA **D1**



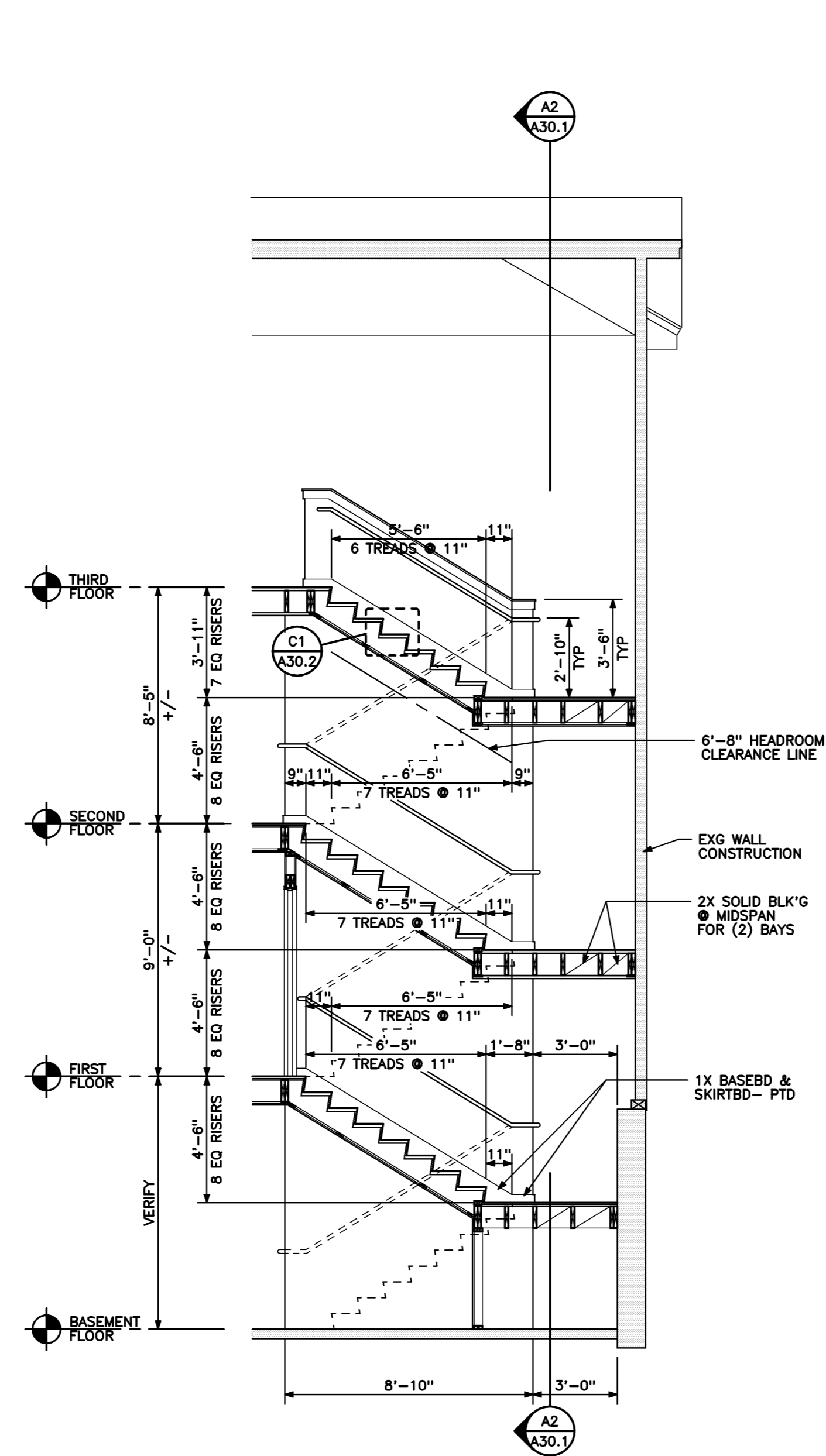
EXTERIOR STAIR LAYOUT
 1/4" = 1'-0" REF: NA **C2**



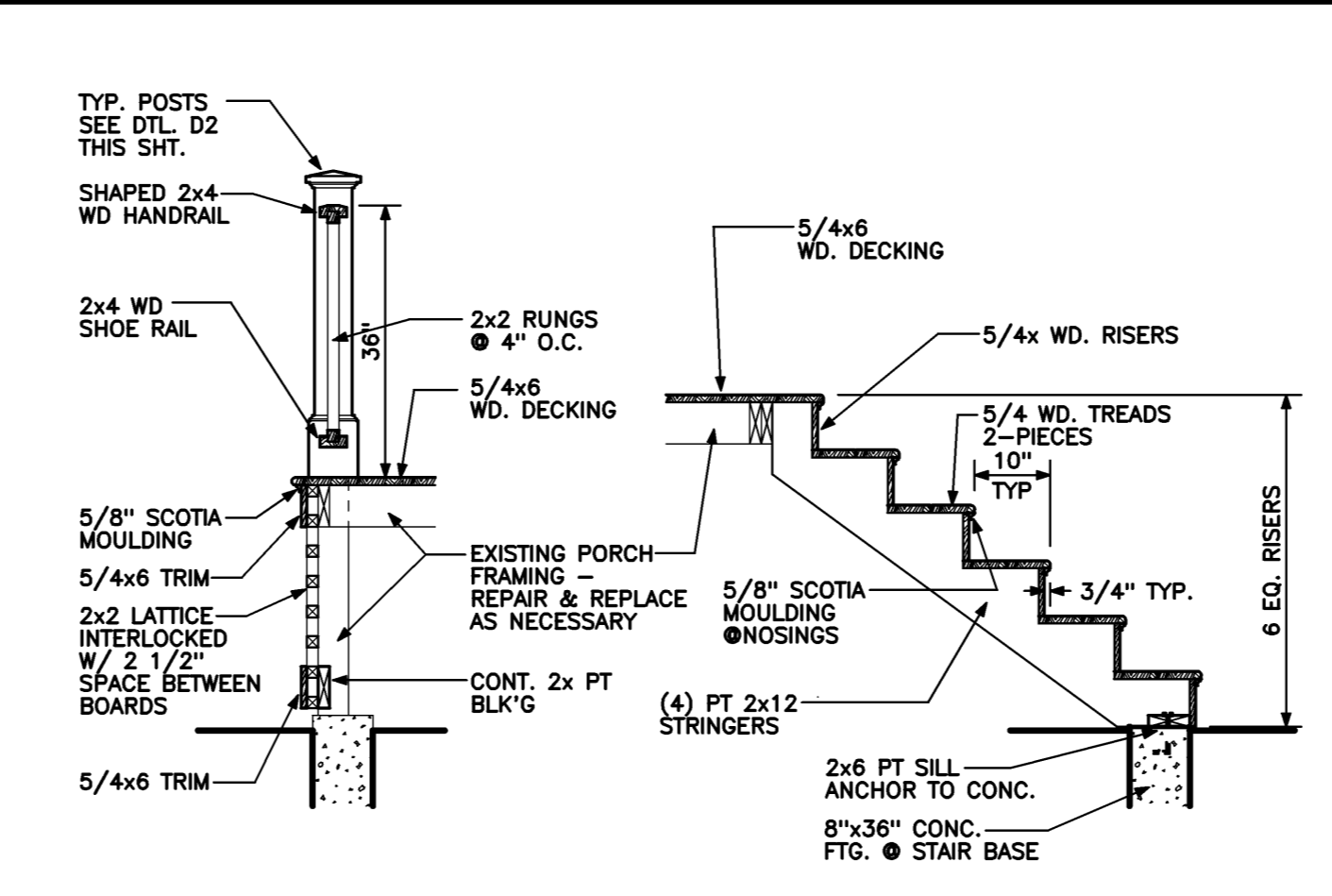
TERMINATION PAD AT RAMP
 1/2" = 1'-0" REF: NA **C1**



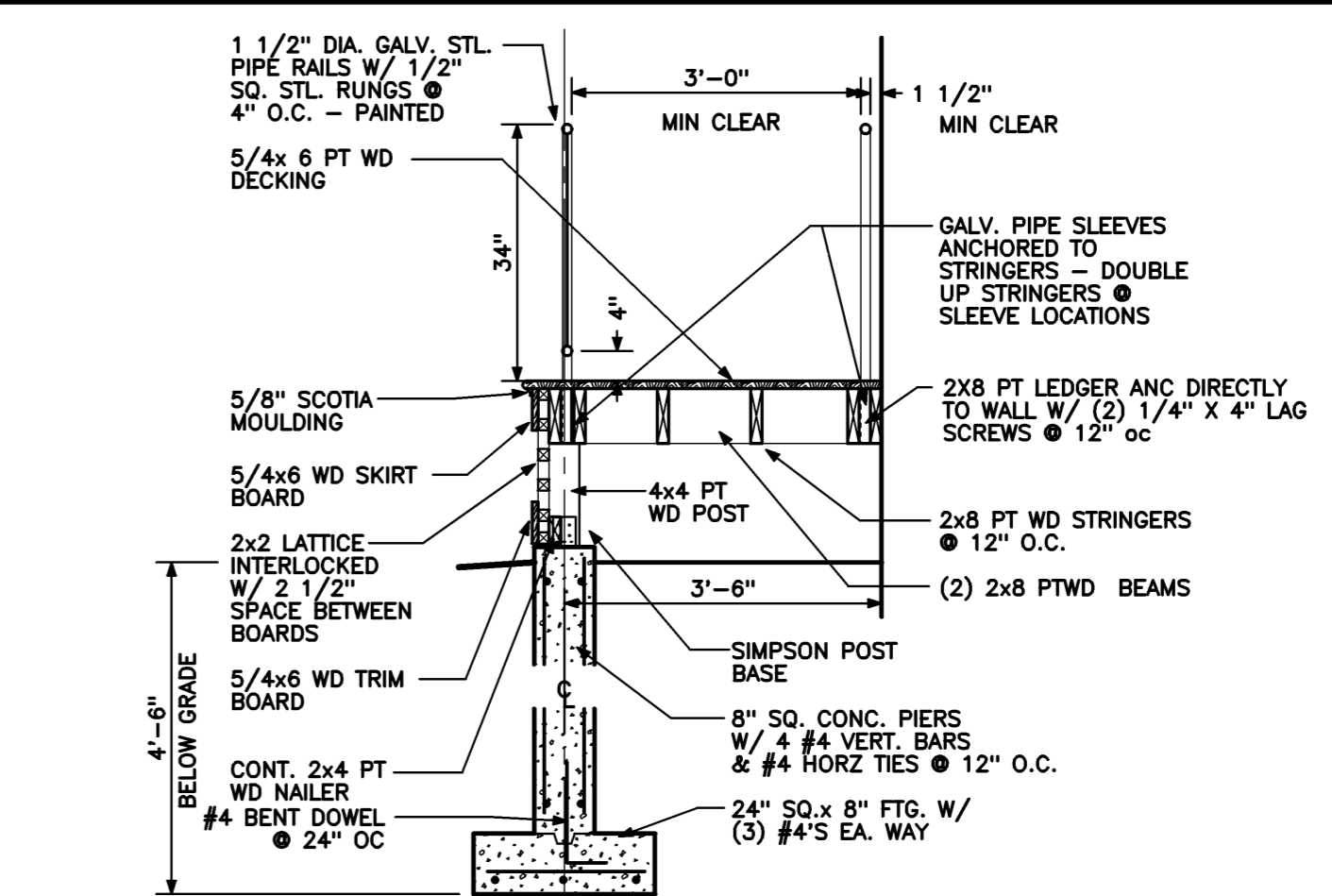
STAIR SECTION
 1/4" = 1'-0" REF: NA **A4**



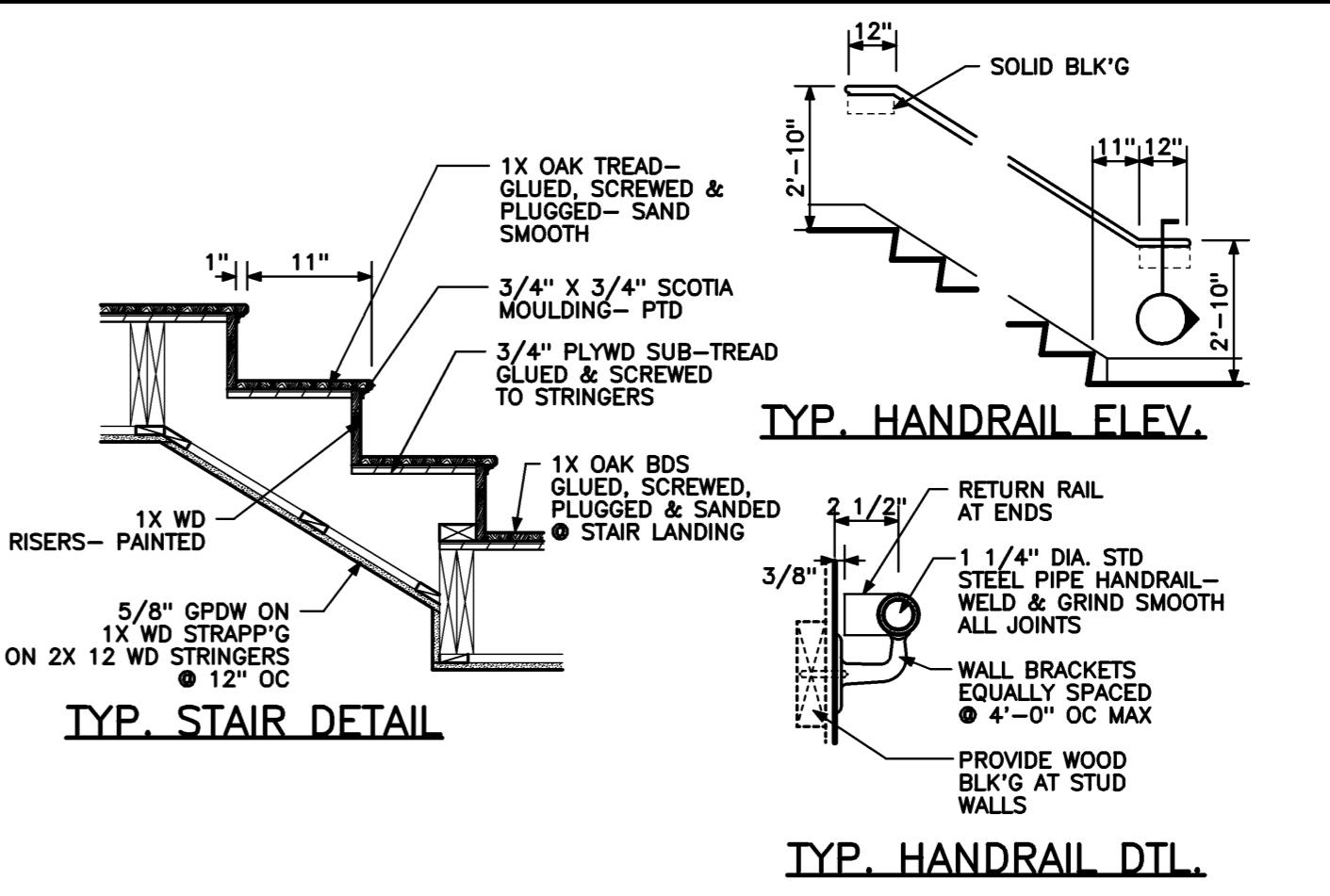
STAIR SECTION
 1/4" = 1'-0" REF: NA **A3**



EXTERIOR STAIR SECTION
 1/2" = 1'-0" REF: NA **B2**



RAMP SECTION
 1/2" = 1'-0" REF: NA **B1**



TYP. STAIR DETAILS
 3/8" = 1'-0" REF: NA **A1**