

project name

Butler Payson
pine st.
state st.
portland, me

avesta housing

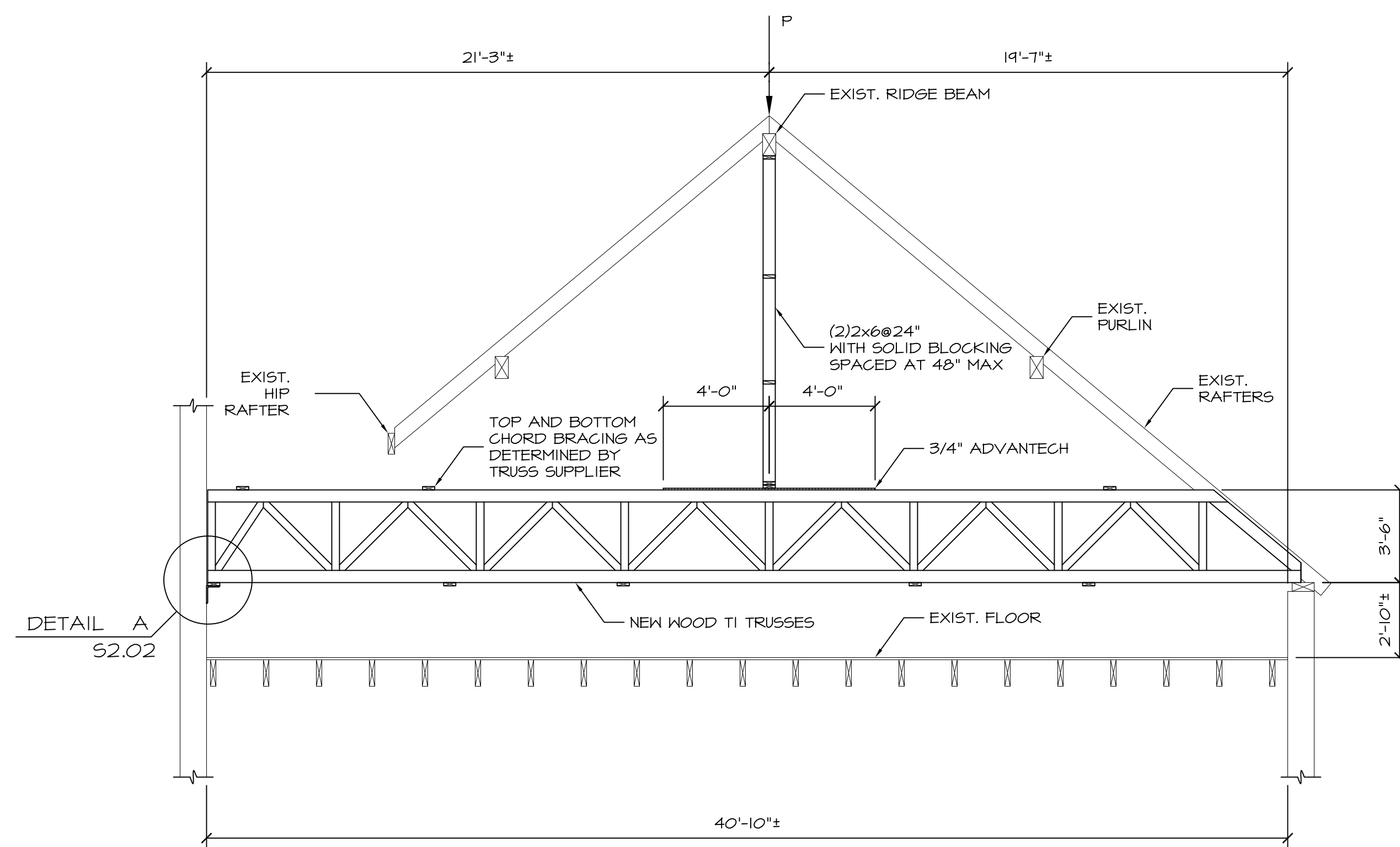
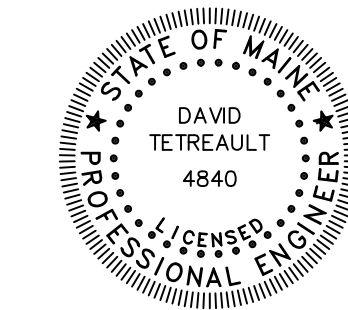
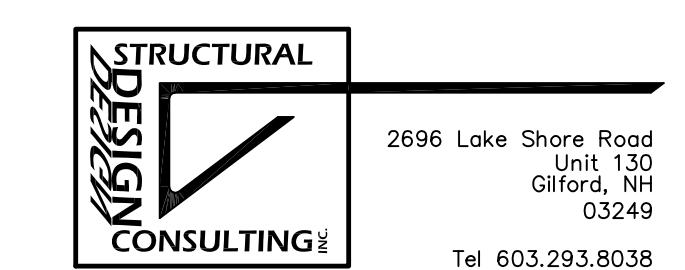
goduti/thomas architects

44 oak st.

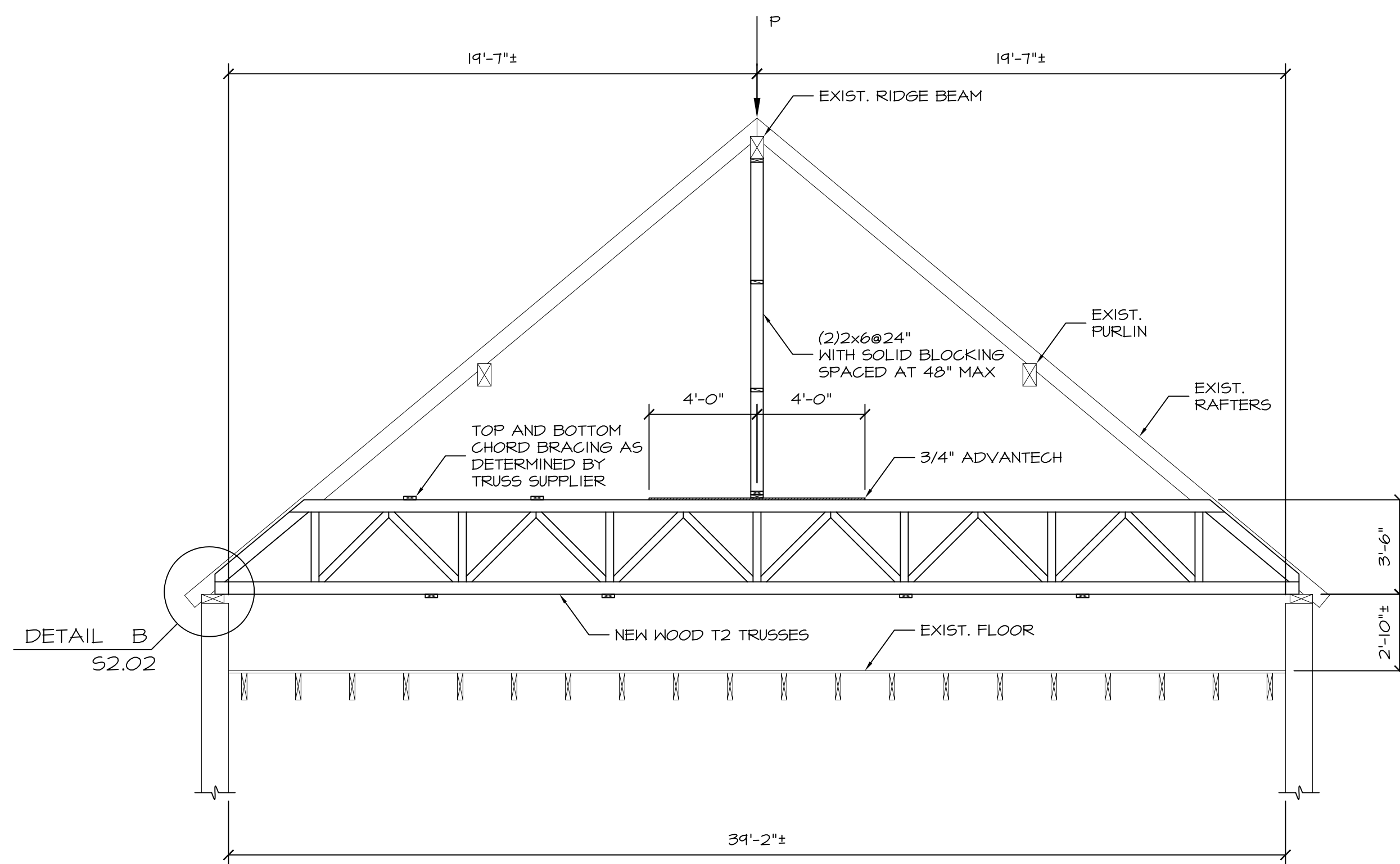
portland, maine 04101

ph. 207-775-3184

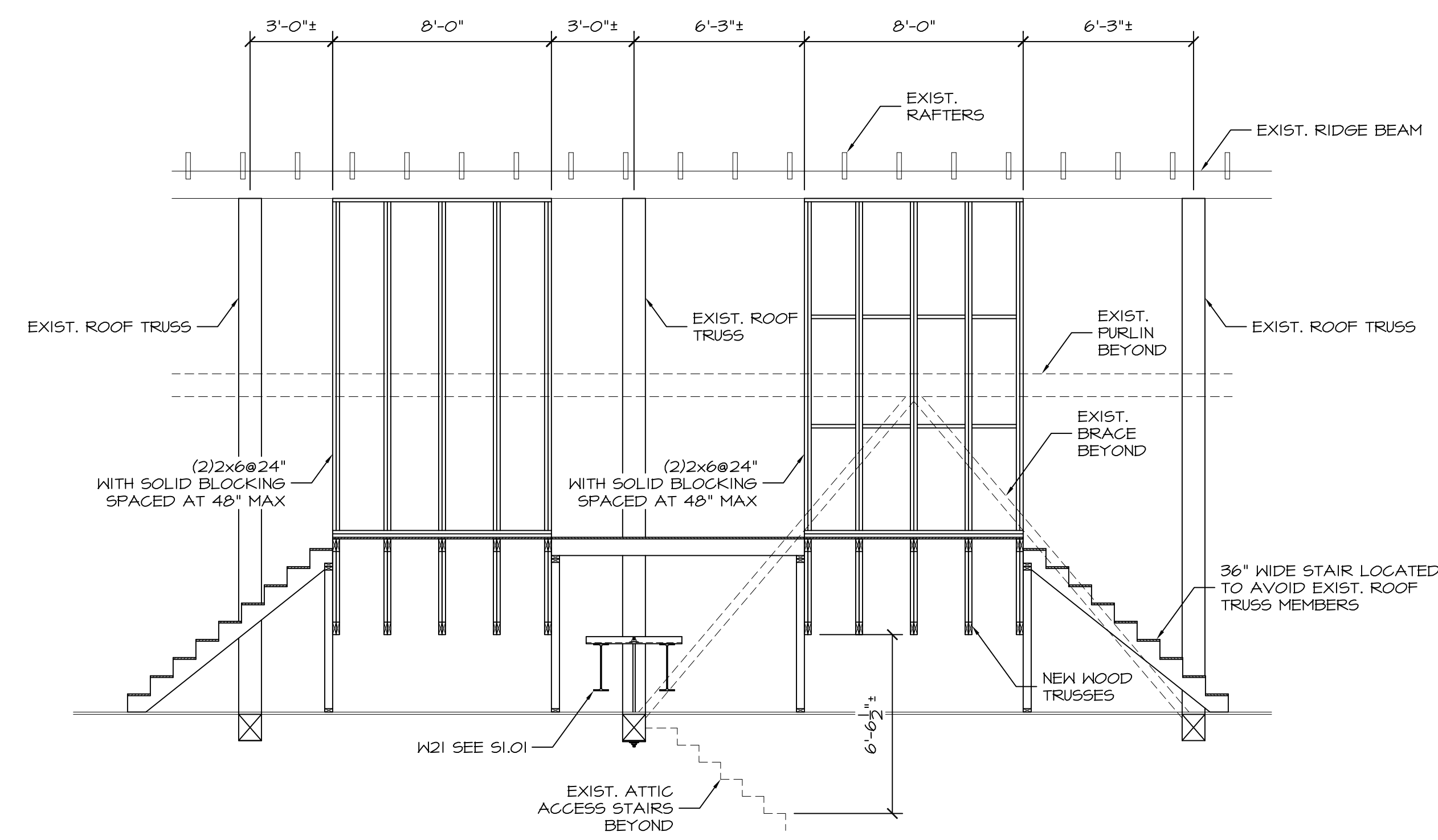
fax 207-774-0846



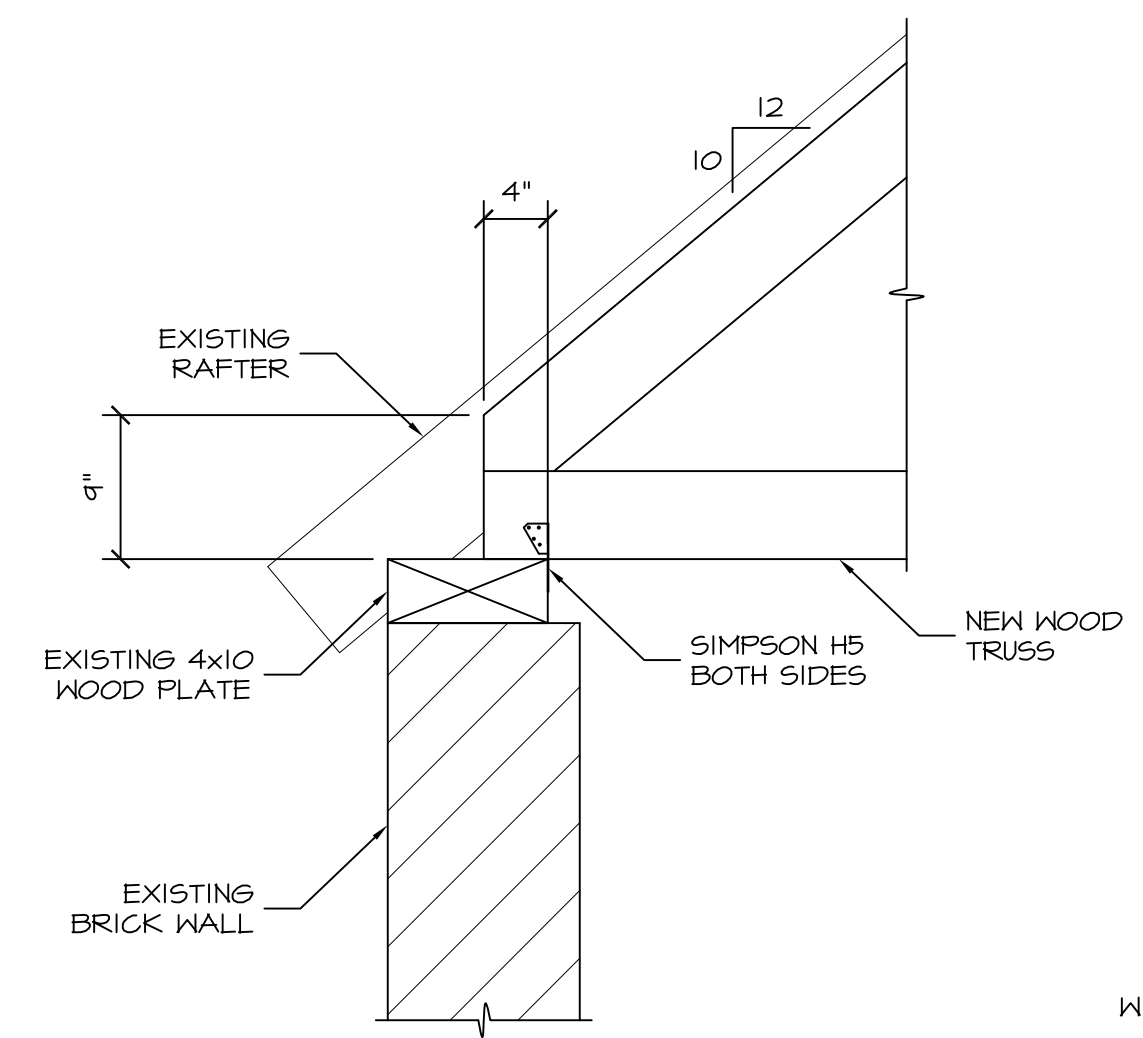
SECTION 1
1/4"=1'-0" S1.02
SECTION AT TRUSS T1.
WEB CONFIGURATION AND NUMBER OF FLIES DETERMINED BY TRUSS SUPPLIER STRUCTURAL ANALYSIS.
TRUSS DESIGN CRITERIA:
DEAD LOAD P=610 PLF ALONG RIDGE BEAM
SNOW LOAD P=160 PLF ALONG RIDGE BEAM



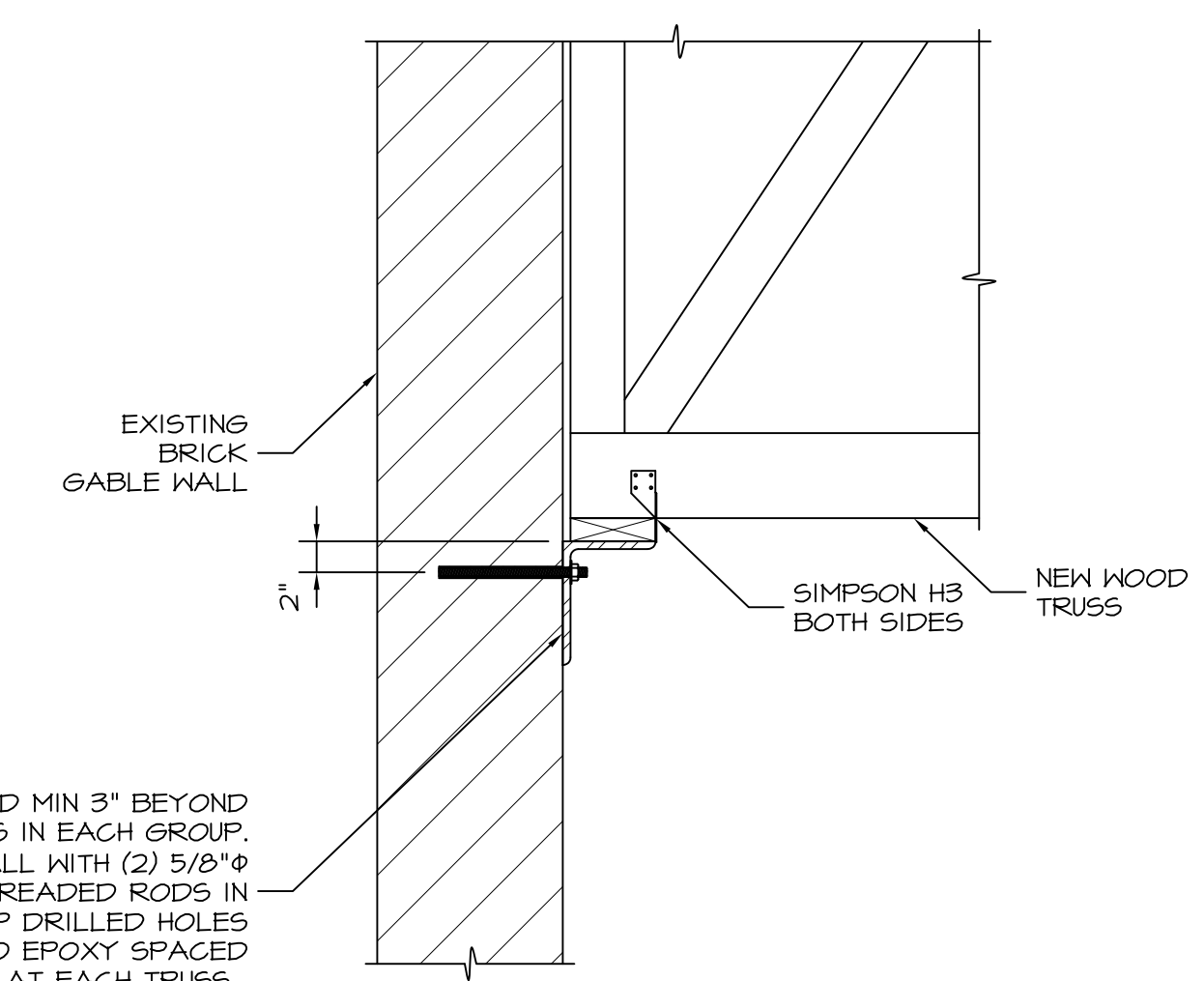
SECTION 1
1/4"=1'-0" S1.02
SECTION AT TRUSS T2.
WEB CONFIGURATION AND NUMBER OF FLIES DETERMINED BY TRUSS SUPPLIER STRUCTURAL ANALYSIS.
TRUSS DESIGN CRITERIA:
DEAD LOAD P=600 PLF ALONG RIDGE BEAM
SNOW LOAD P=130 PLF ALONG RIDGE BEAM



SECTION 2
1/4"=1'-0" S1.02



DETAIL A
1"=1'-0" S2.02



DETAIL B
1"=1'-0" S2.02

revisions Permit Set

date 17 Jan 2015

sheet title

Roof Framing
Structural
Repair Sections
and Details

scale as noted

drawn by DJT

project number 14023

sheet number

S2.02