

project name

**butler payson**  
pine street  
state street  
portland, maine

**Avesta Housing**

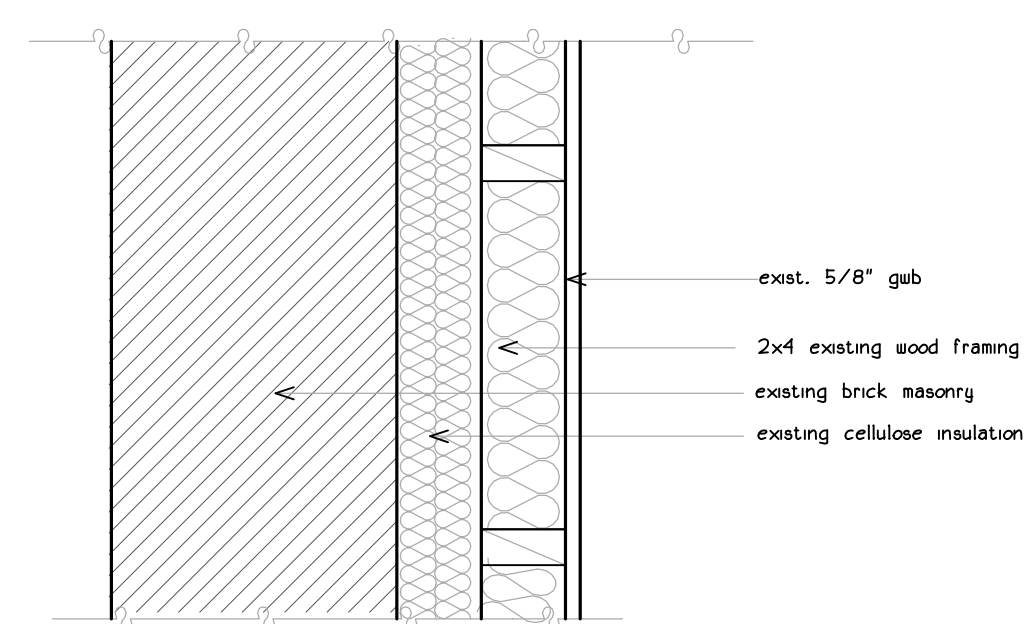
goduti/thomas architects

44 oak st.

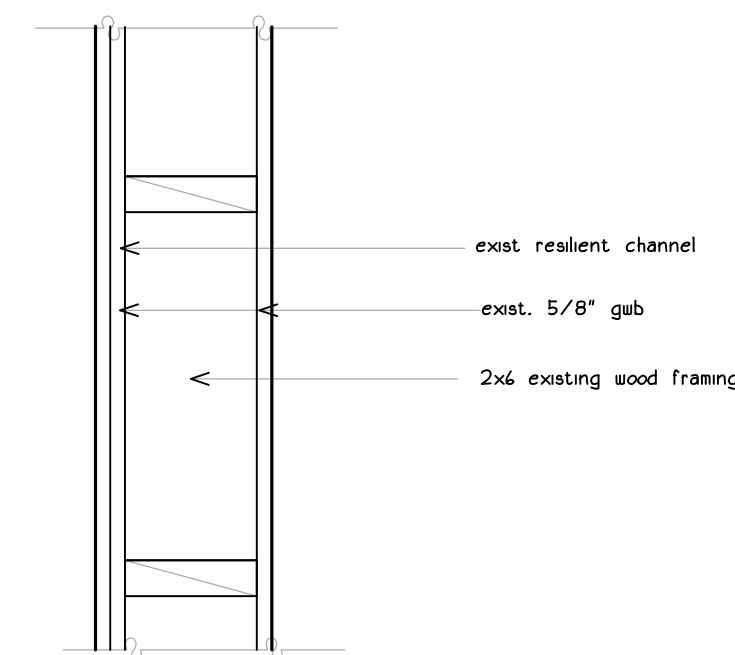
portland, maine 04101

ph. 207-775-3184

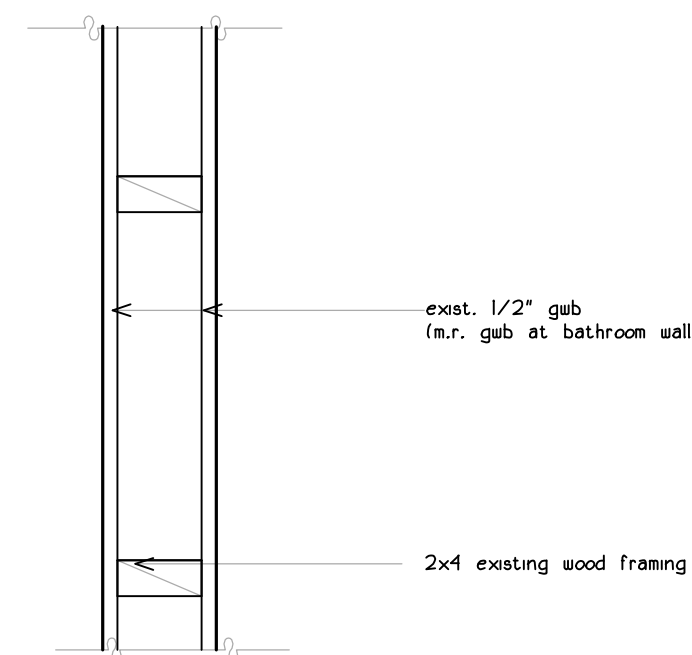
fax 207-774-0846



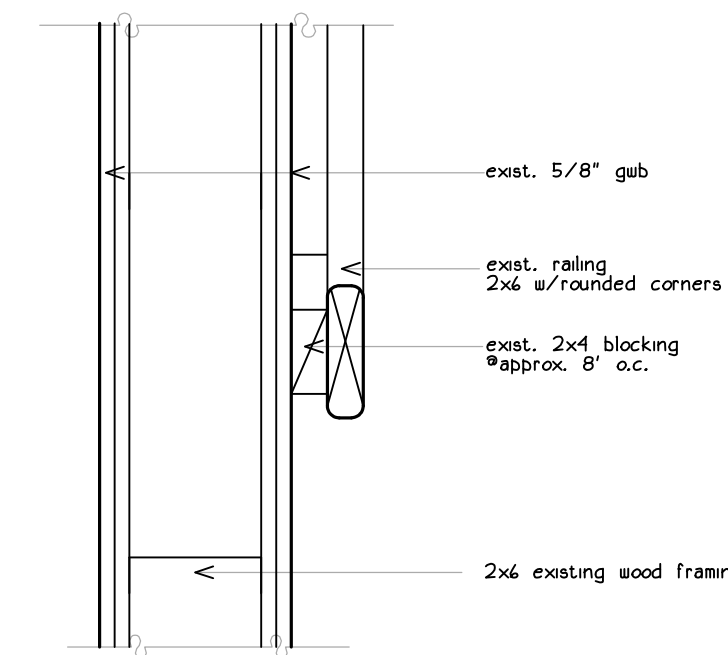
**1** existing exterior wall



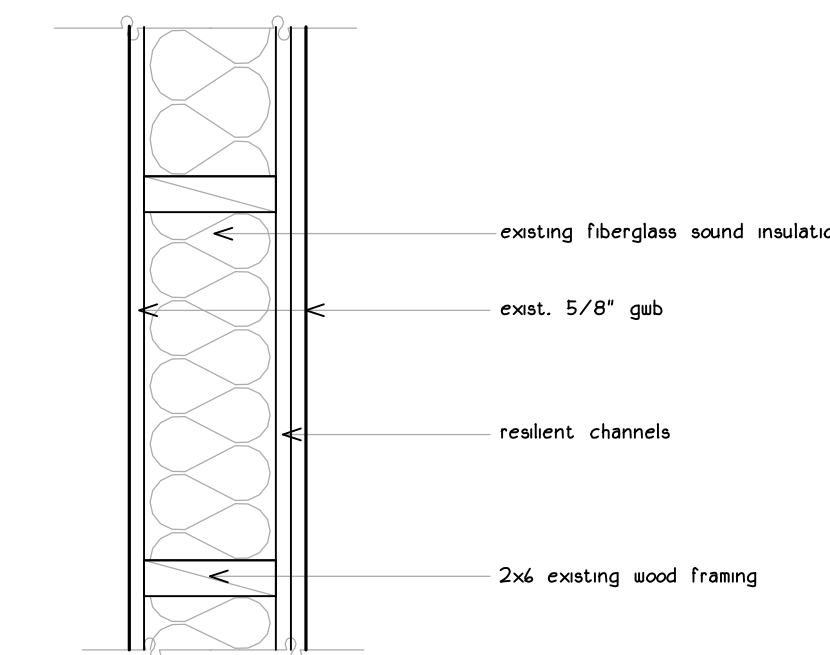
**2** existing corridor wall  
1 hr rated



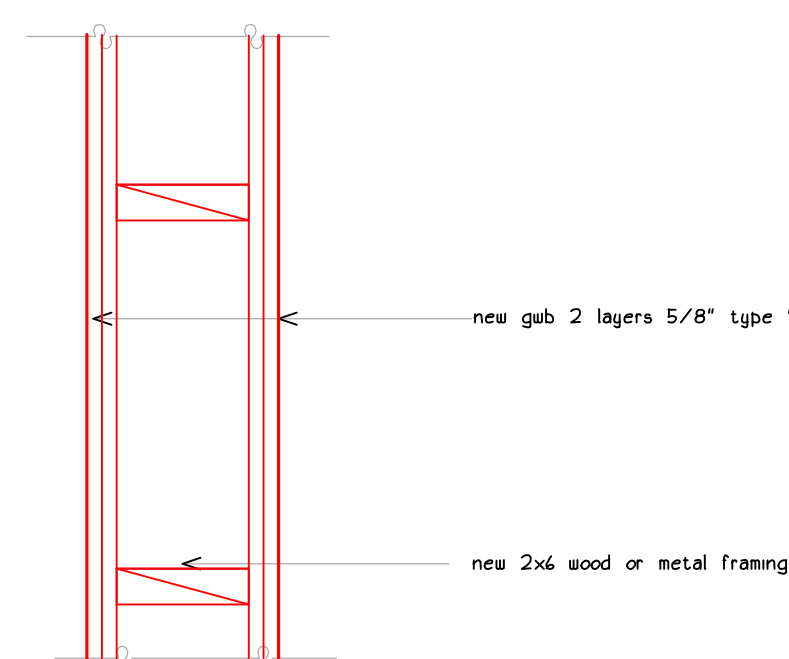
**3** existing interior unit wall



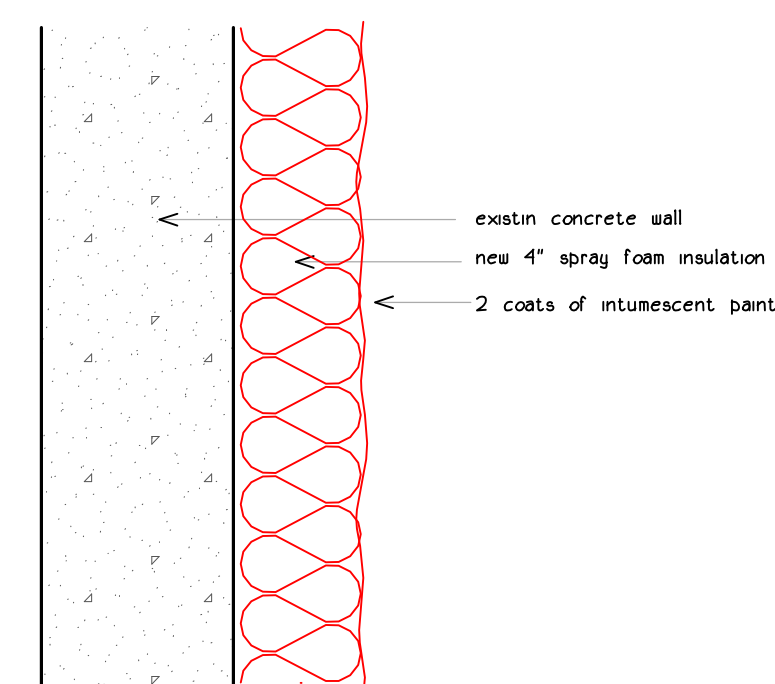
**4** existing stair wall/handrail section  
2 hr rated



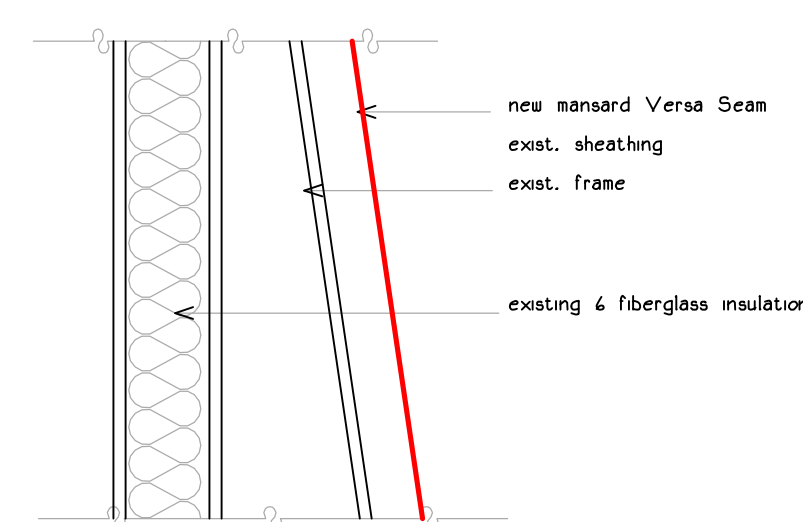
**5** existing unit division partition  
1 hr rated



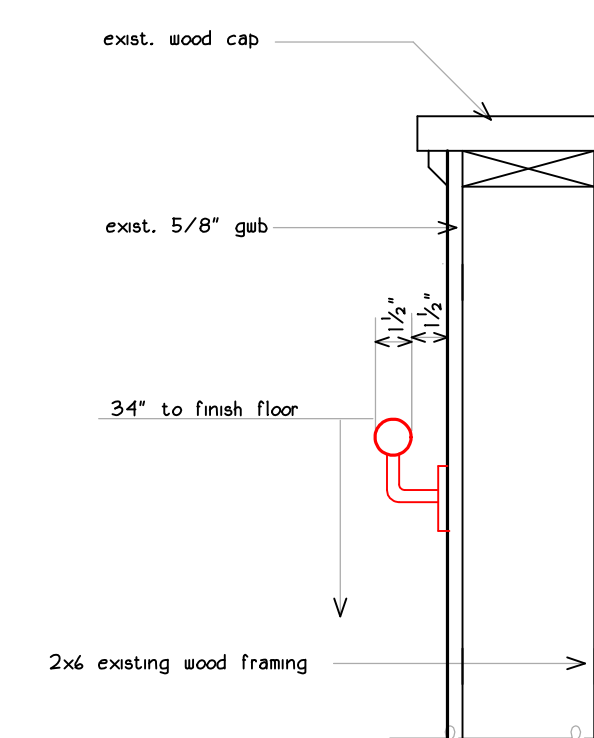
**6** new stair wall  
2 hr rated



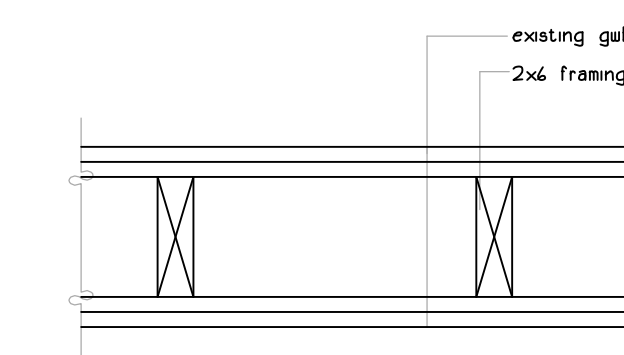
**7** crawl space  
plan



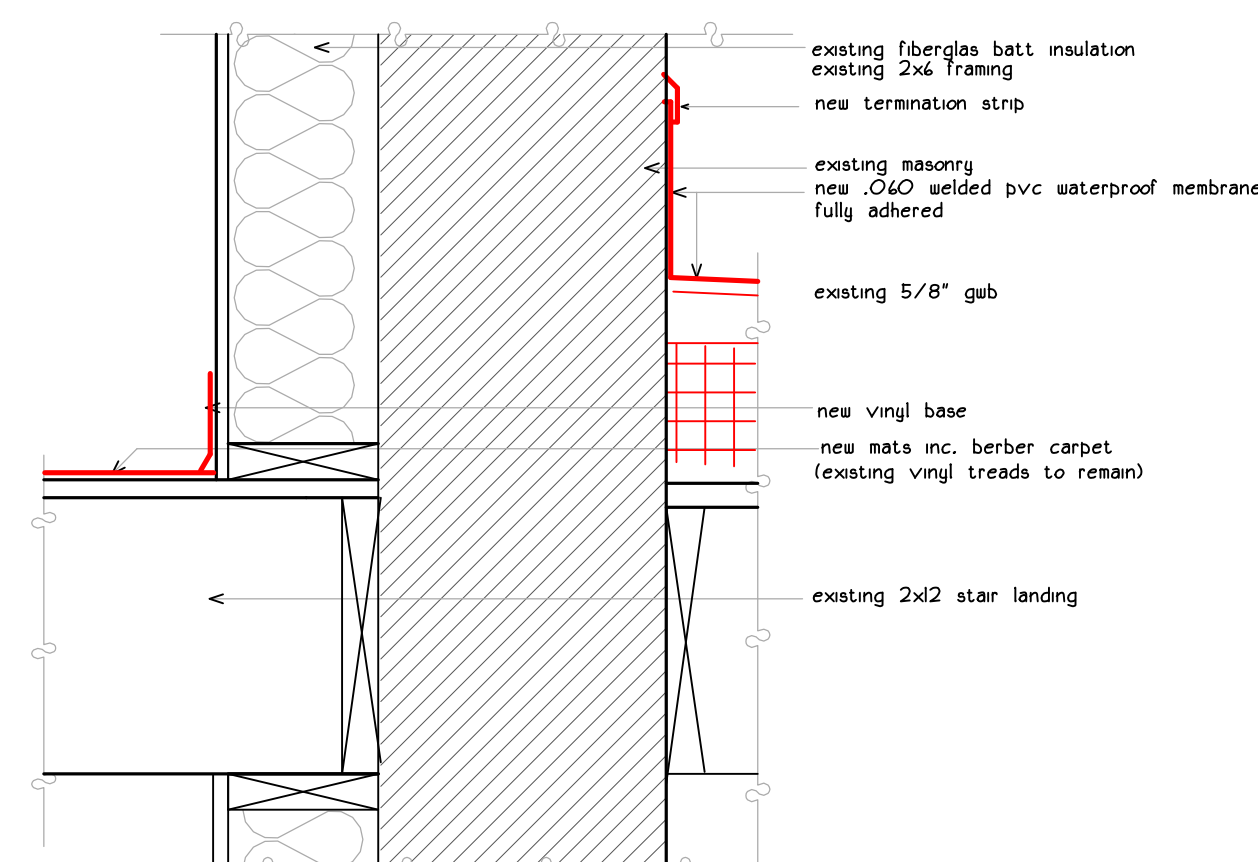
**8** 3rd floor mansard  
section



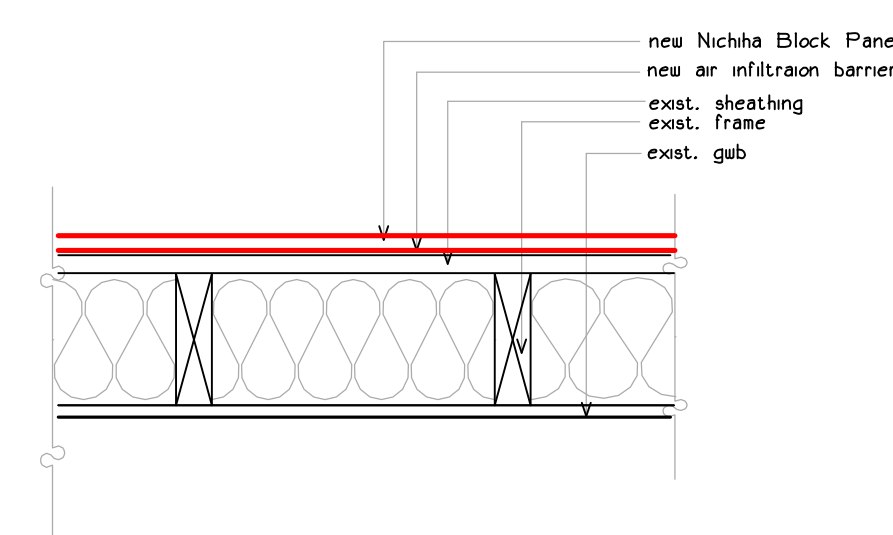
**9** railing at ramp  
section



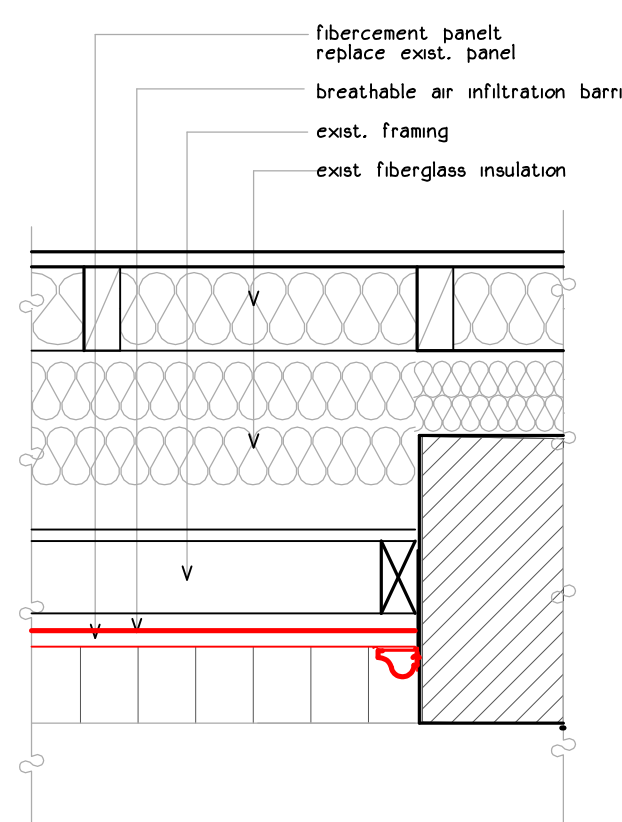
**10** elevator pent house  
(presumed 2hr)



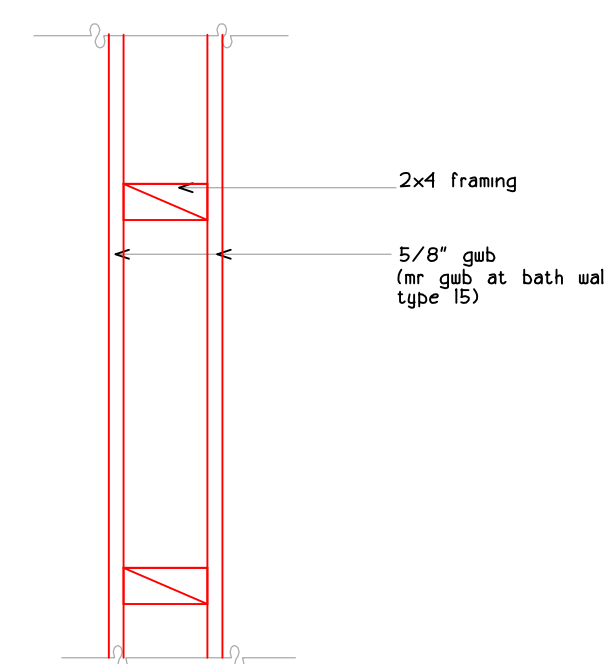
**11** stair at 4th floor exterior  
(presumed 2hr)



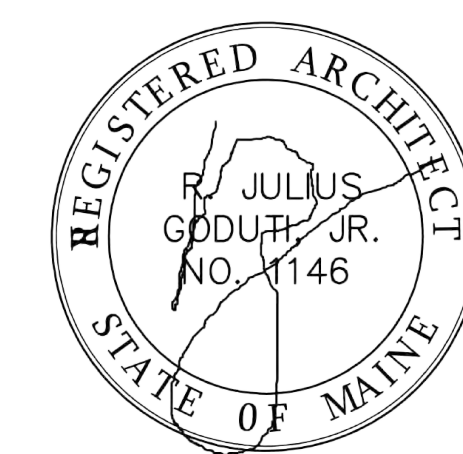
**12** corridor at auditorium units  
plan



**13** fiber cement panels below windows  
plan at jamb exist masonry jamb



**14** new wall at units  
plan  
**15** new wall baths (mr gwb)



revisions

date

january 17th, 2015

sheet title

**wall types**

section views unless noted

scale

1 1/2" = 1'-0"

drawn by

RG

project number

sheet number

**BA5.7**