

project name

Butler Payson
pine st.
state st.
portland, maine

avesta housing

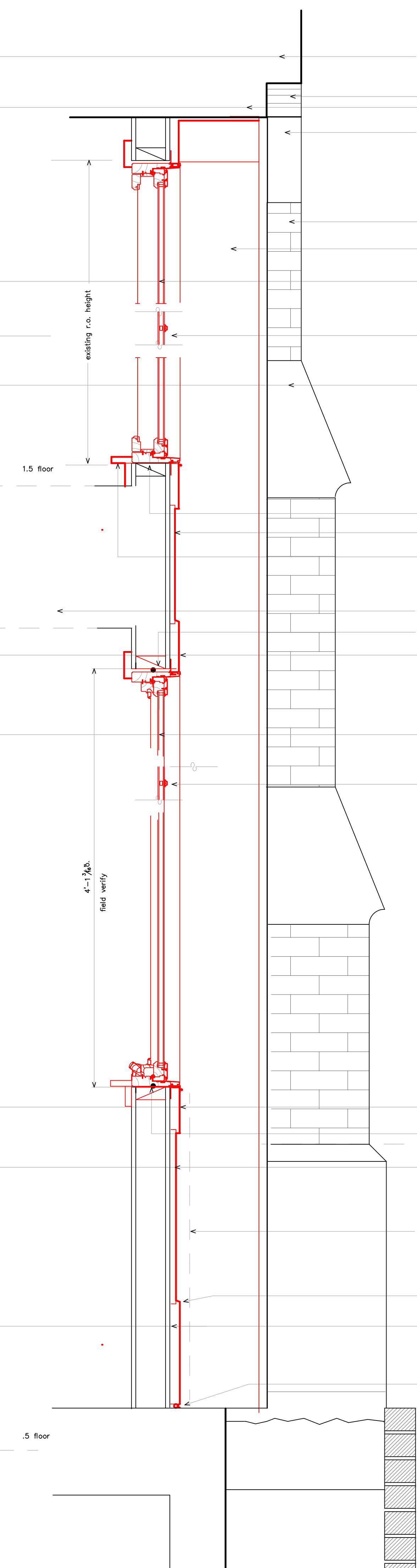
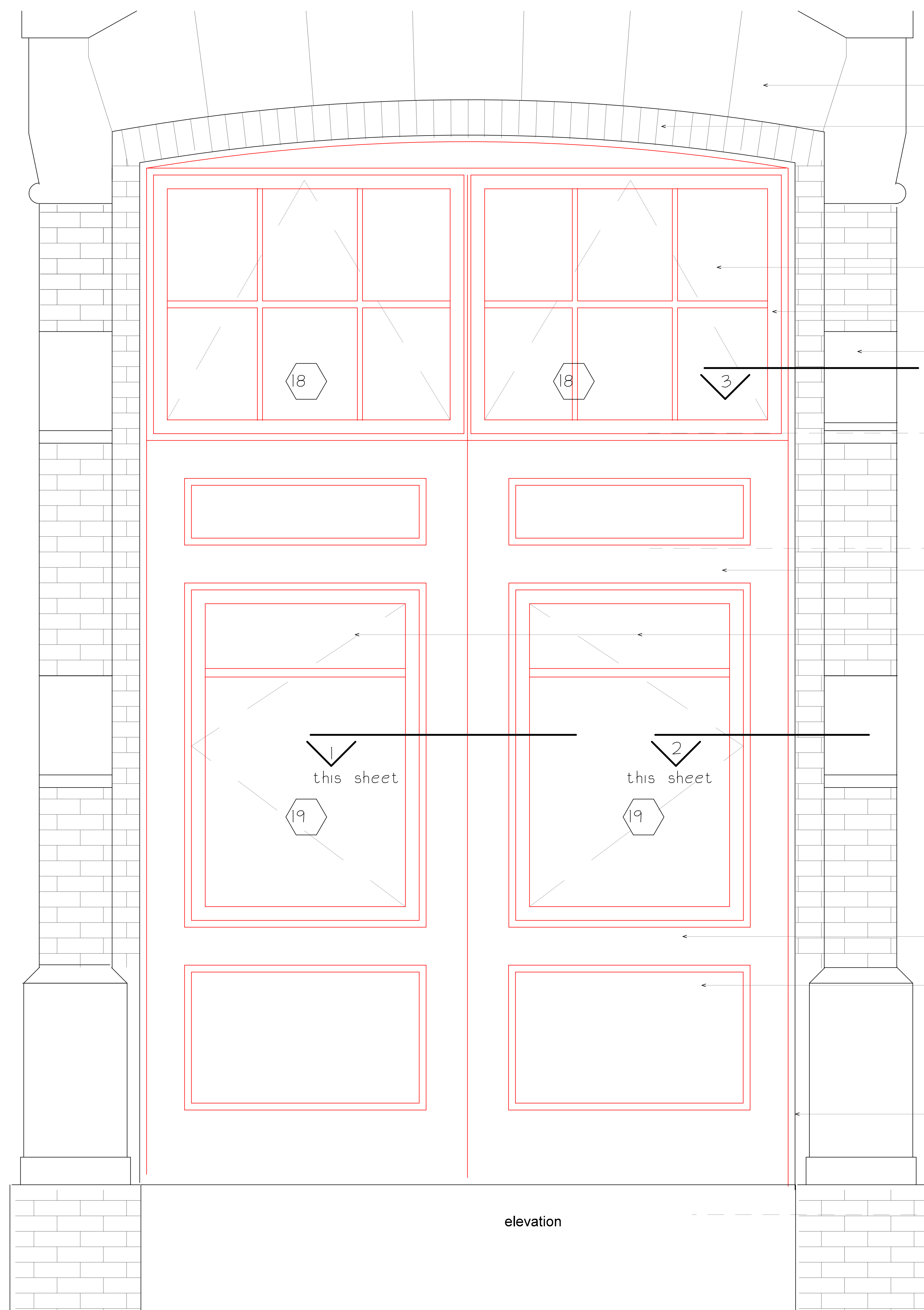
goduti/thomas architects

44 oak st.

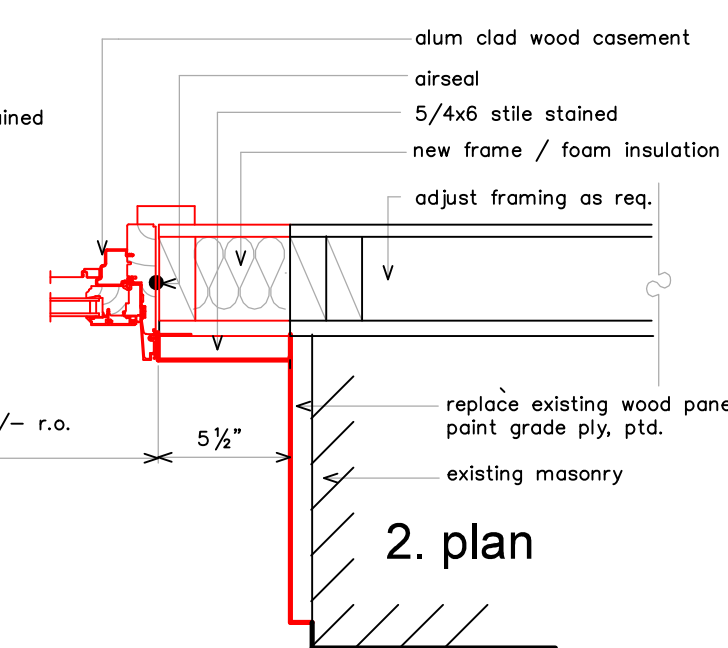
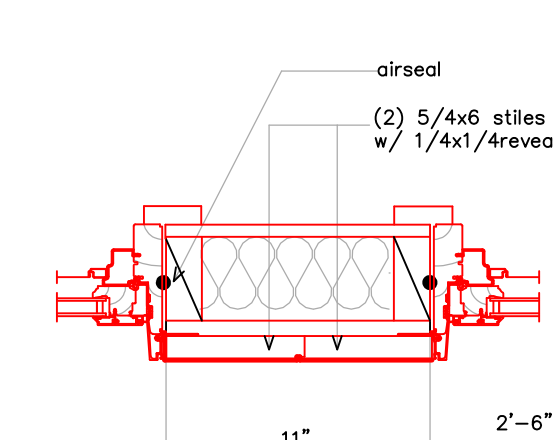
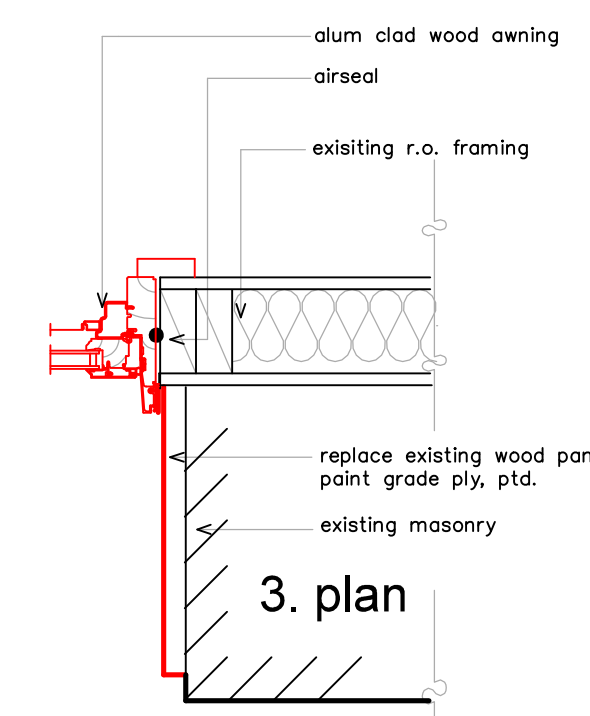
portland, maine 04101

ph. 207-115-3184

fax 207-114-0846



- cast stone
- soffit of cast stone
- rowlock brick
- cast stone beyond
- brick beyond
- replace wood jamb trim
- paint grade ply
- new alum. clad wood awning window
- simulated divided lite
- clad exte. only
- cast stone beyond
- airseal
- paint grade 1/2" plywood panel
- new interior trim
- 1x3 stool/ skirt ptd
- exist. floor frame
- airseal
- 5/4x6 wood rail stained
- new alum. clad wood awning window
- adjust r.o. height
- simulated divided lite
- clad exte. only
- airseal
- (2) 5/4x6 stiles stained
- w/ 1/4x1/4 reveal
- alum clad wood casement
- airseal
- 5/4x6 stile stained
- new frame / foam insulation
- adjust framing as req.
- replace existing wood panel
- paint grade ply, ptd.
- existing masonry
- 5/4x6 wood rail stained
- airseal
- paint grade 1/2" plywood panel
- remove built frame/ finish
- beveled cap
- 5/4x10 wood rail stained
- beveled cap
- backer rod/ caulk joint



revisions

date

january 17th, 2015

sheet title

butler

original gym entry

section/ elevation

scale

1 1/2" = 1'-0"

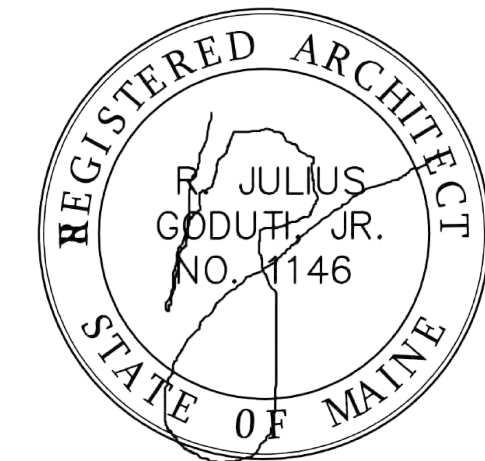
drawn by

RG

project number

butler payson

sheet number



BA3.7