

project name

Butler Payson
pine st.
state st.
portland, me

avesta housing

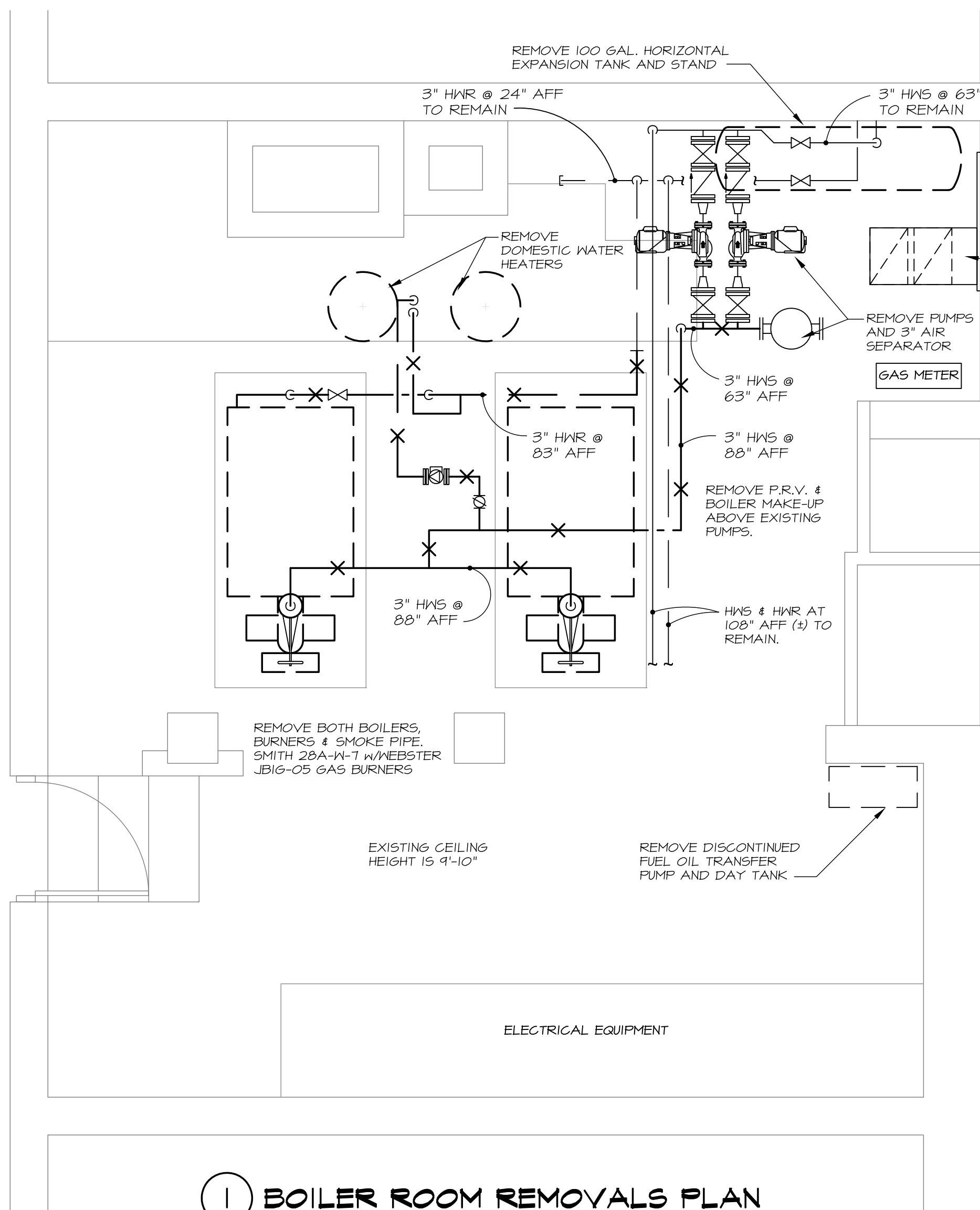
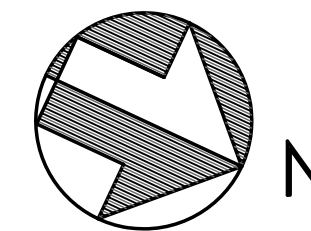
goduti/thomas architects

44 oak st.

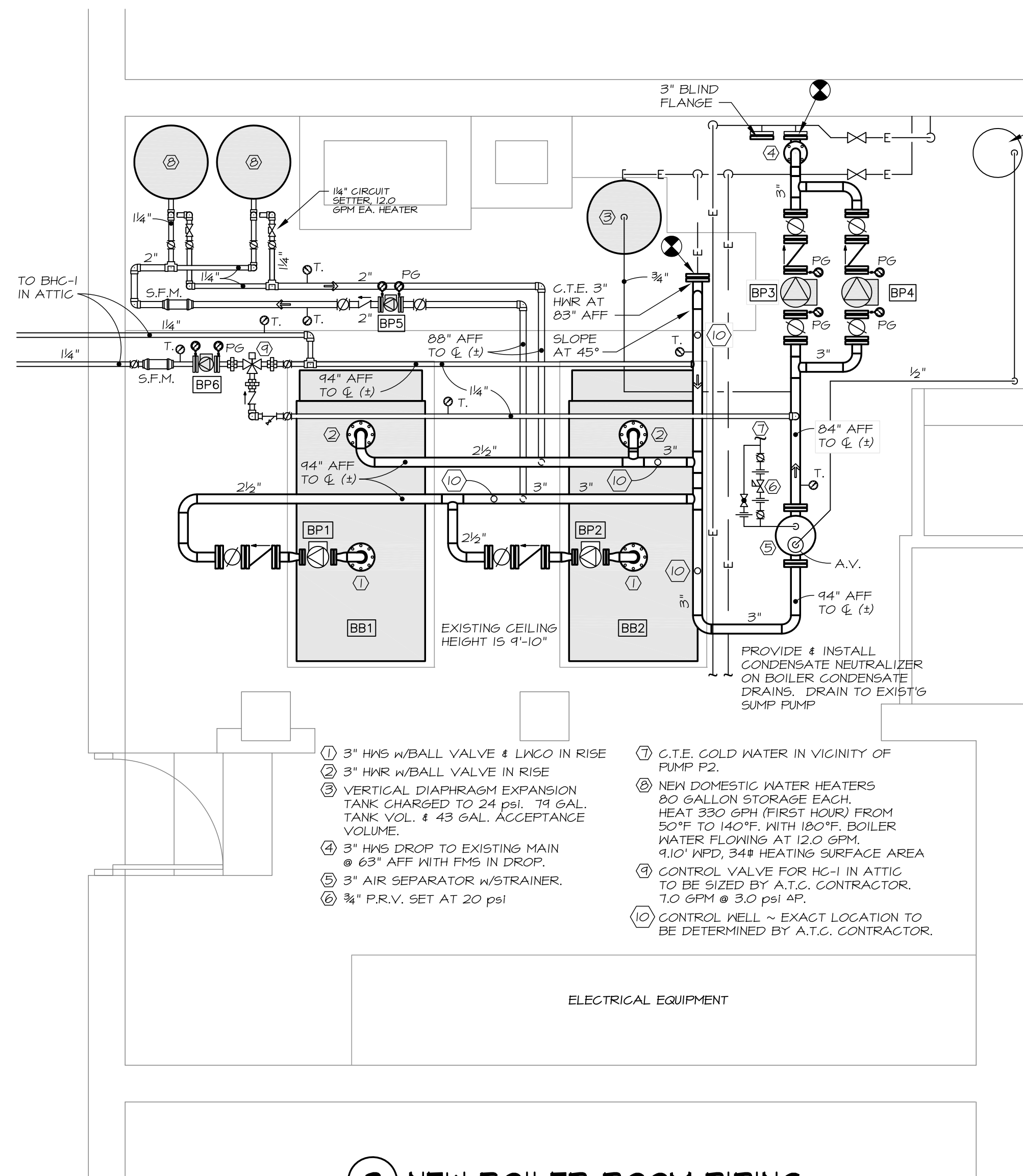
portland, maine 04101

ph. 207-775-3184

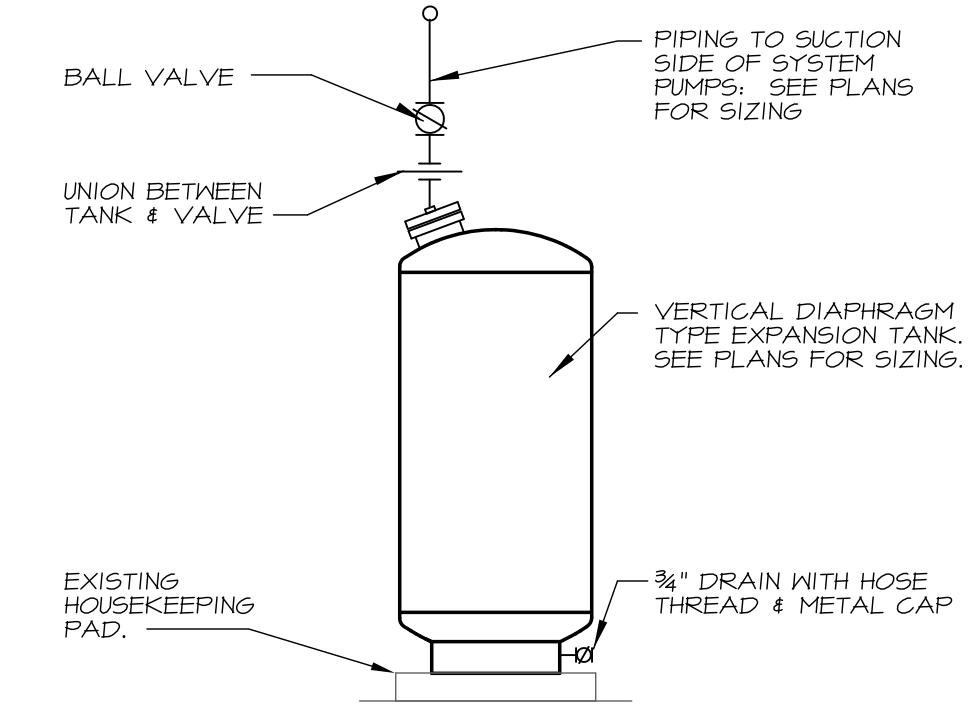
fax 207-774-0486



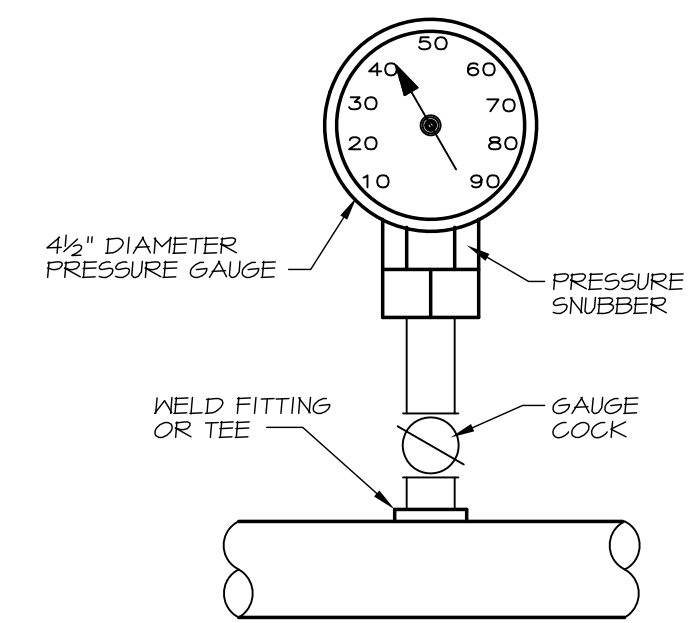
1 BOILER ROOM REMOVALS PLAN
SCALE: 3/8" = 1'-0"



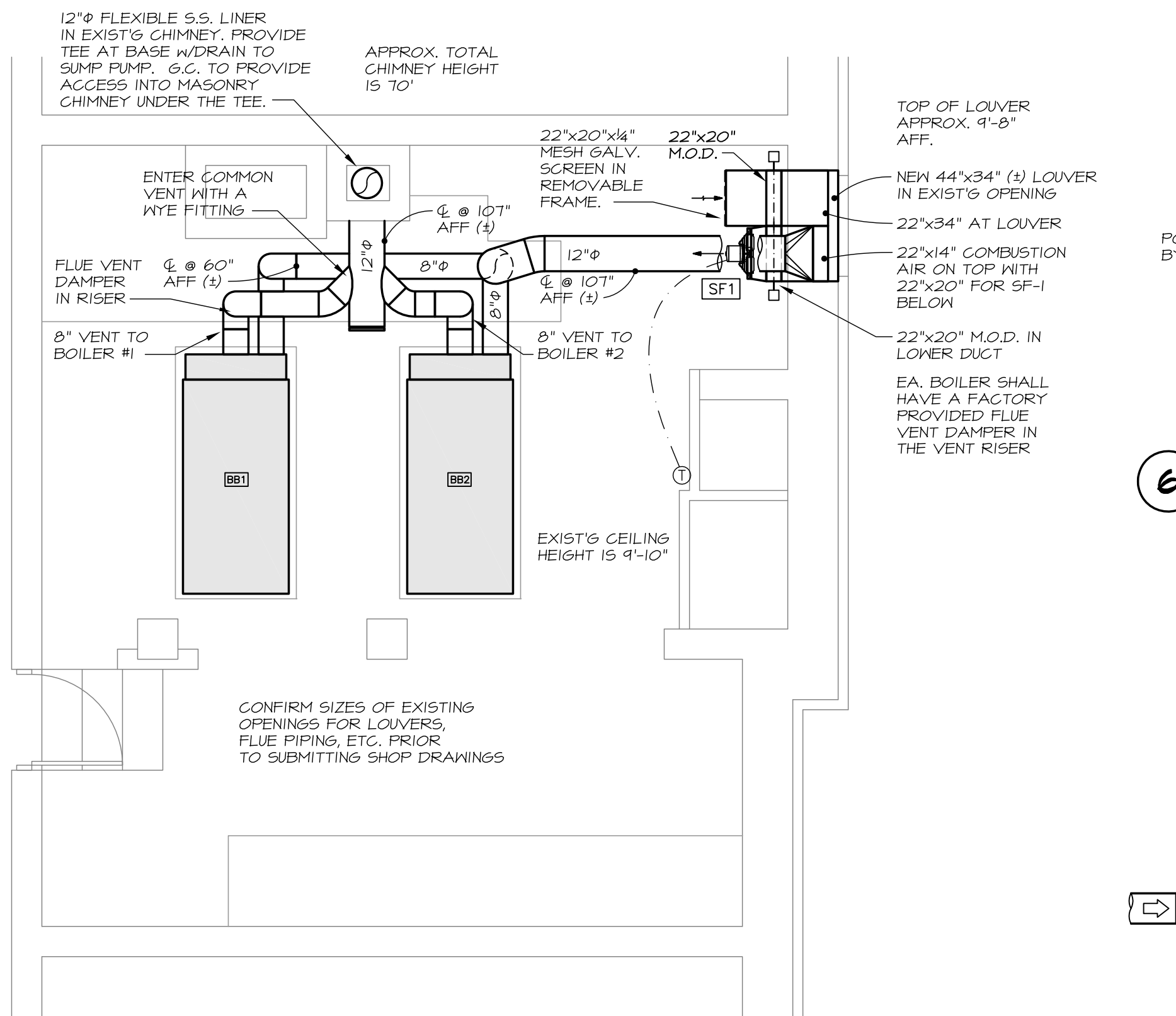
2 NEW BOILER ROOM PIPING
SCALE: 3/8" = 1'-0"



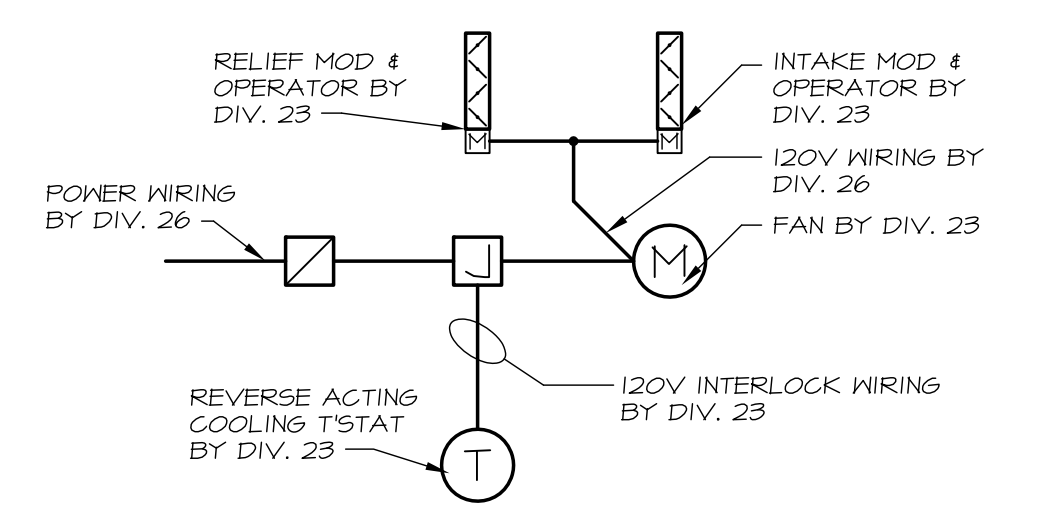
3 DIAPHRAGM TYPE EXPANSION TANK
NO SCALE



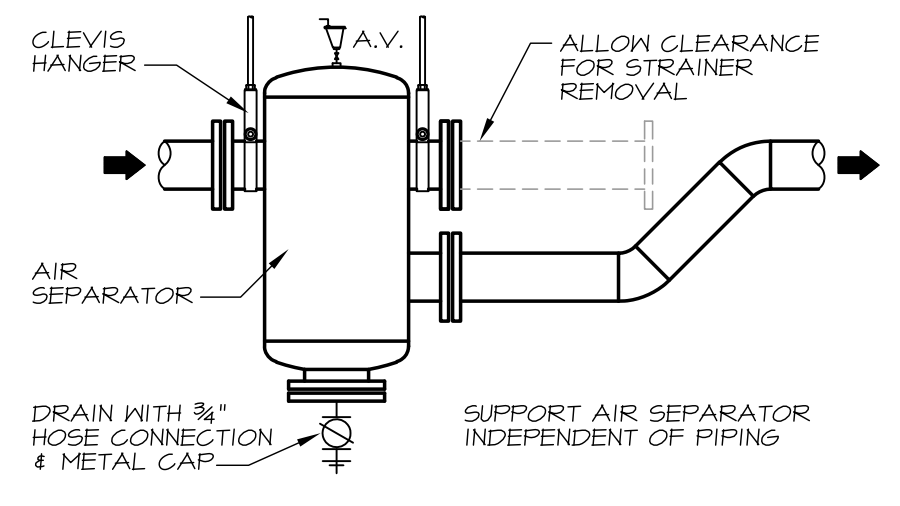
4 WATER PRESSURE GAUGE
NO SCALE



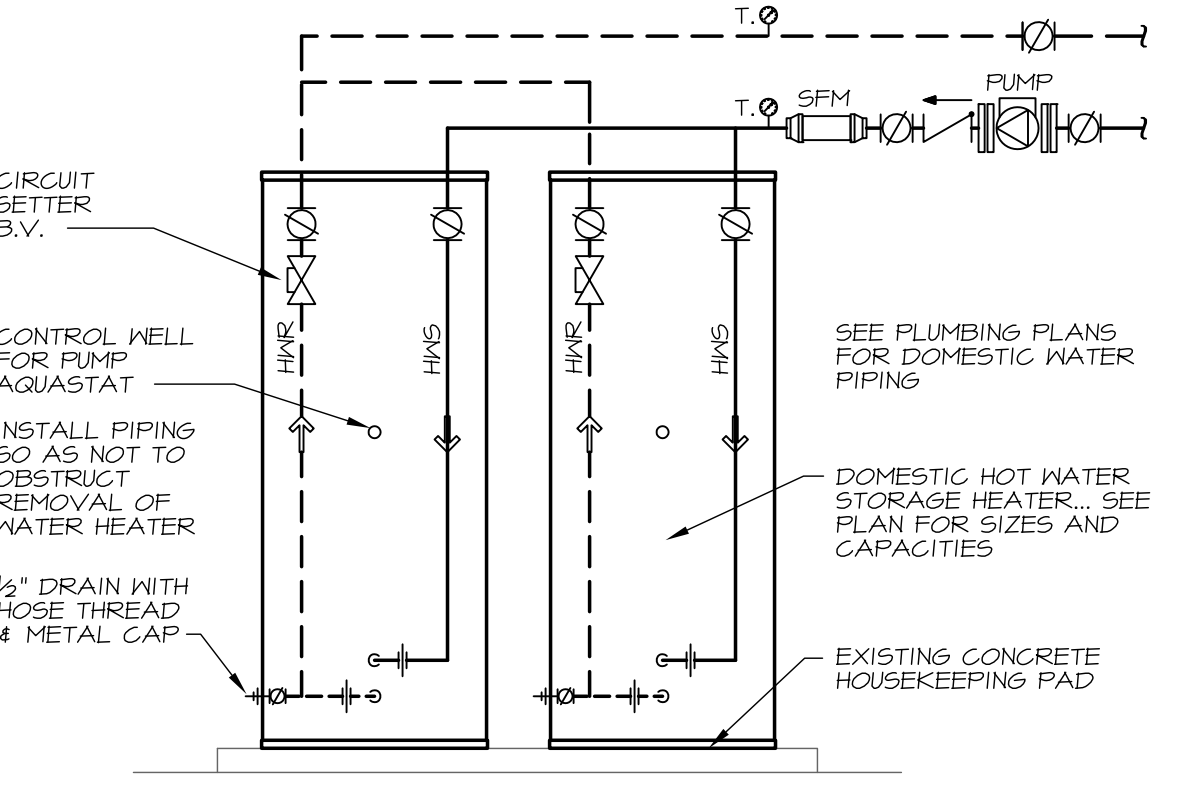
5 BOILER VENTING AND DUCTWORK
SCALE: 1/4" = 1'-0"



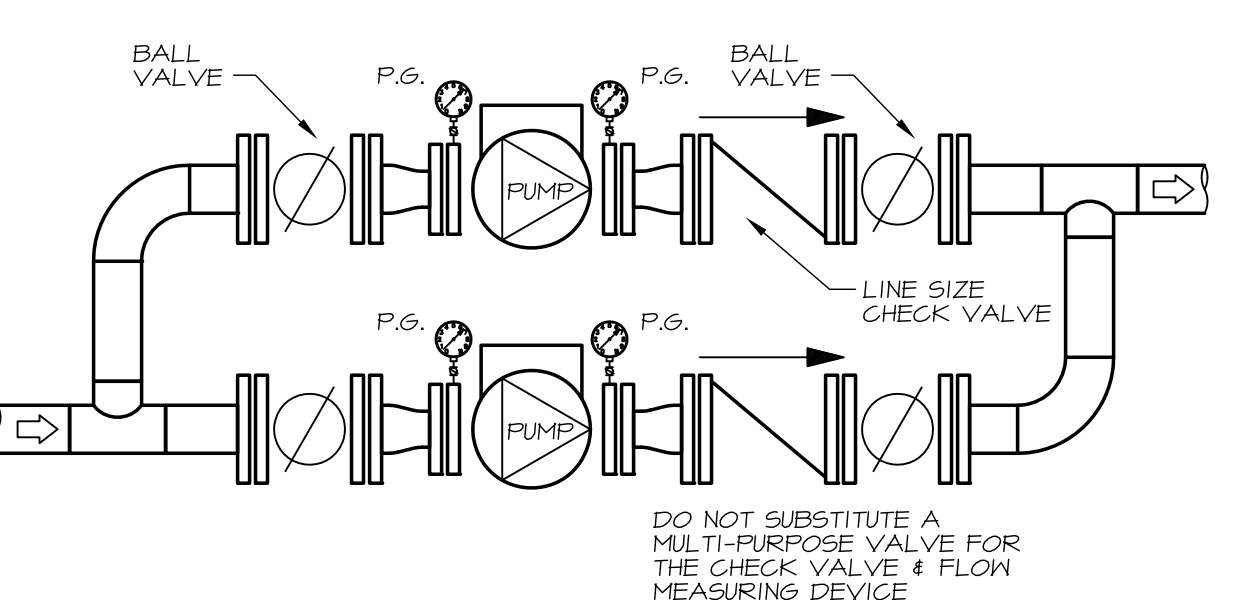
6 BOILER ROOM SUPPLY FAN AND M.O.D. WIRING
NO SCALE



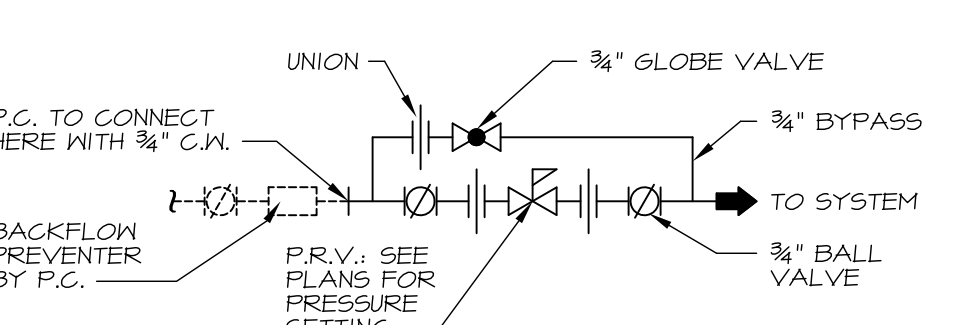
7 AIR SEPARATOR
NO SCALE



8 STORAGE WATER HEATER DETAIL
NO SCALE



9 CIRCULATING PUMPS PIPING
NO SCALE



10 HEATING SYSTEM WATER MAKE-UP DETAIL
NO SCALE

PERMIT SET

revisions

date
January 17, 2015

sheet title

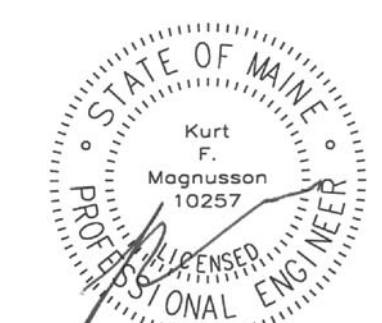
butler
boiler room plans
mechanical plan

scale
1/8" = 1'-0"

drawn by
R.E.M.

project number

butpay



MECHANICAL SYSTEMS ENGINEERS
ROYAL RIVER CENTER, UNIT 108
10 FOREST FALLS DRIVE, YARMOUTH, MAINE 04096
(207) 846-1441
FACEBOOK: MECHANICAL SYSTEMS ENGINEERS
© COPYRIGHT 2015



BM6

February 09, 2015 - 8:56 am
\\MSSEFFS1\shared\Projects\1433 Butler School\Drawings\1433 BM6-BM7.dwg