

project name

**Butler Payson**  
pine st.  
state st.  
portland, me

avesta housing

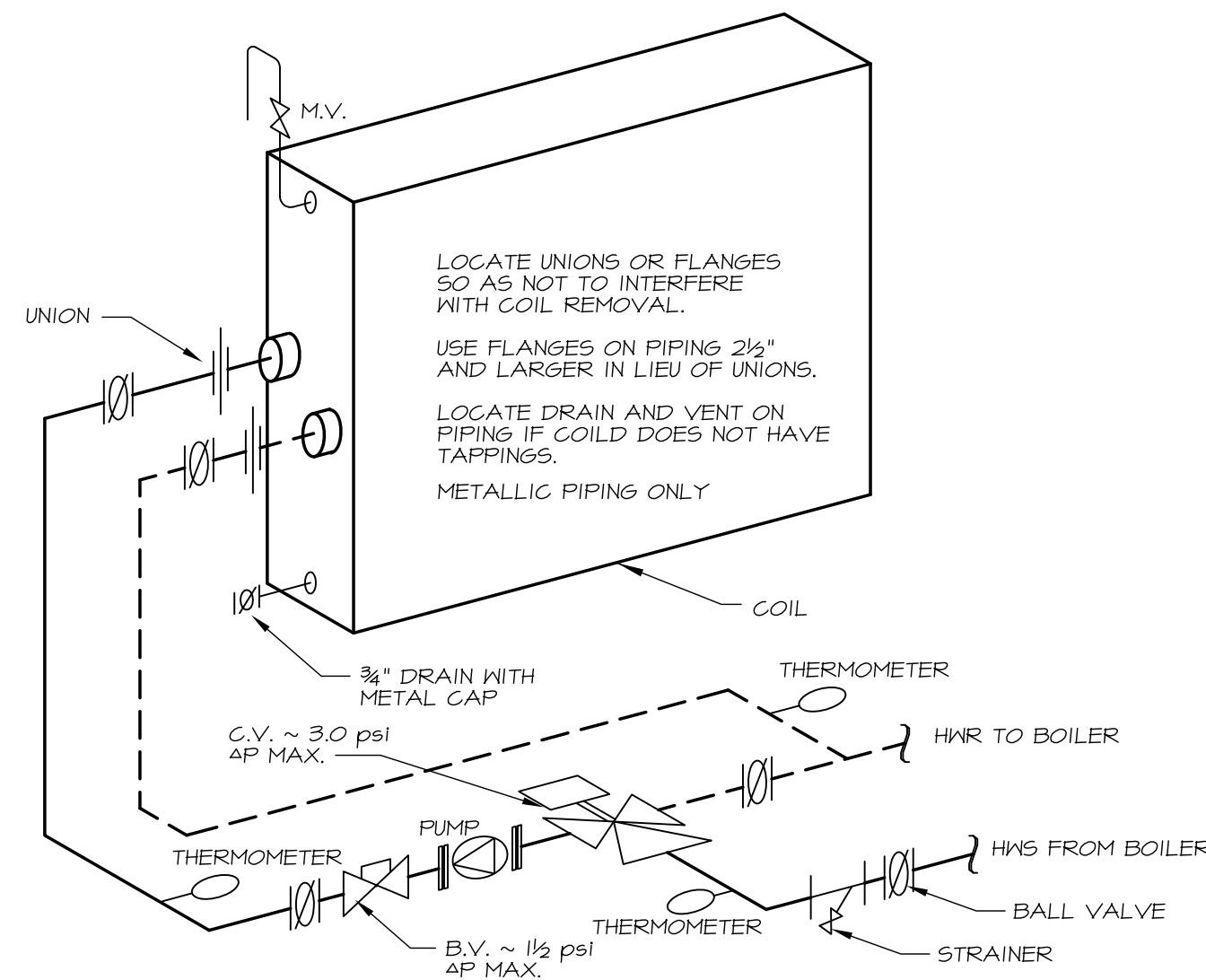
goduti/thomas architects

44 oak st.

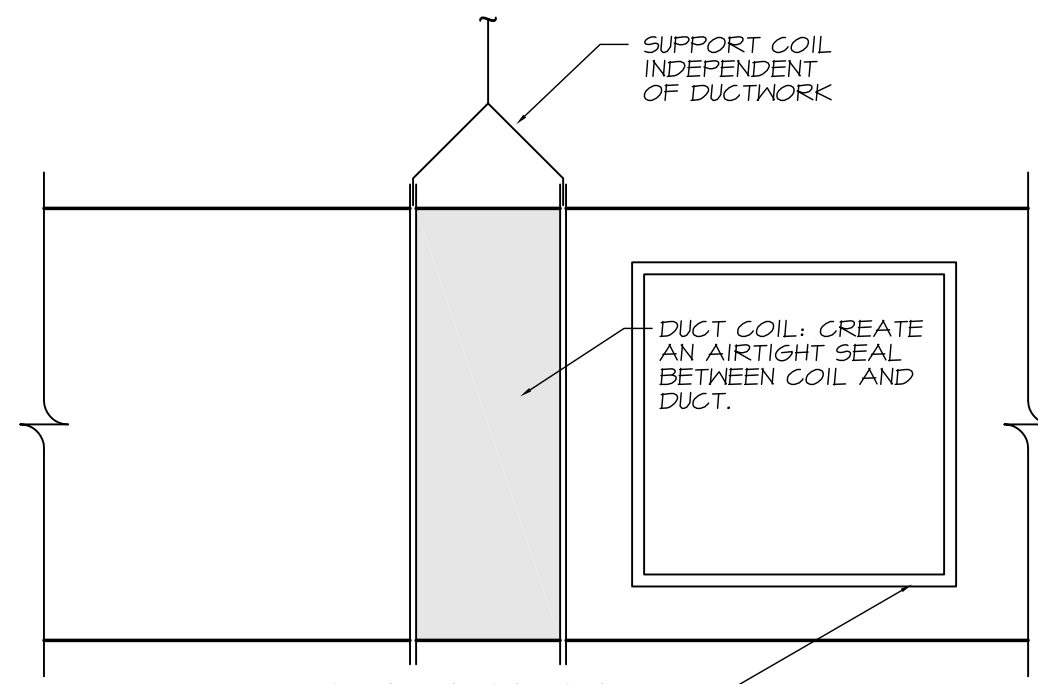
portland, maine 04101

ph. 207-775-3184

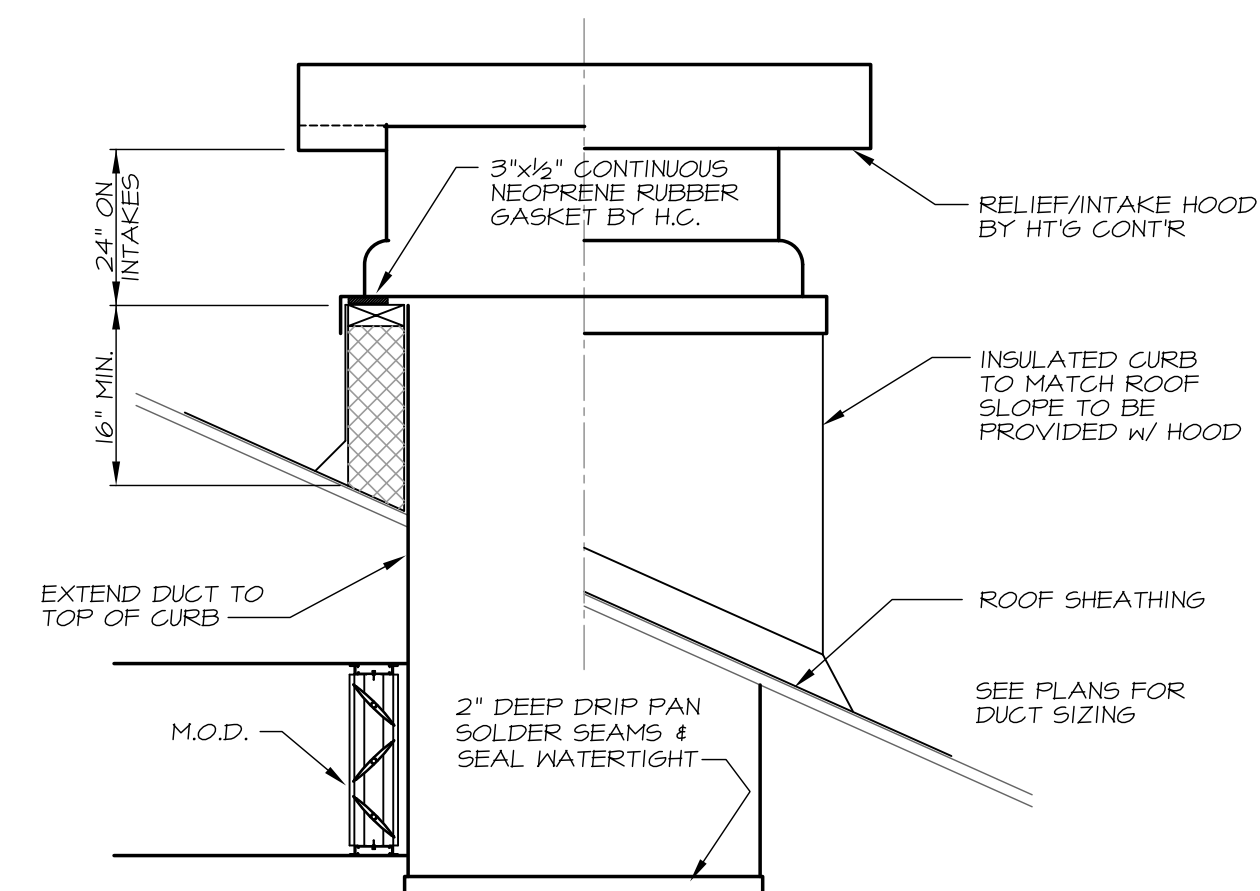
fax 207-774-0486



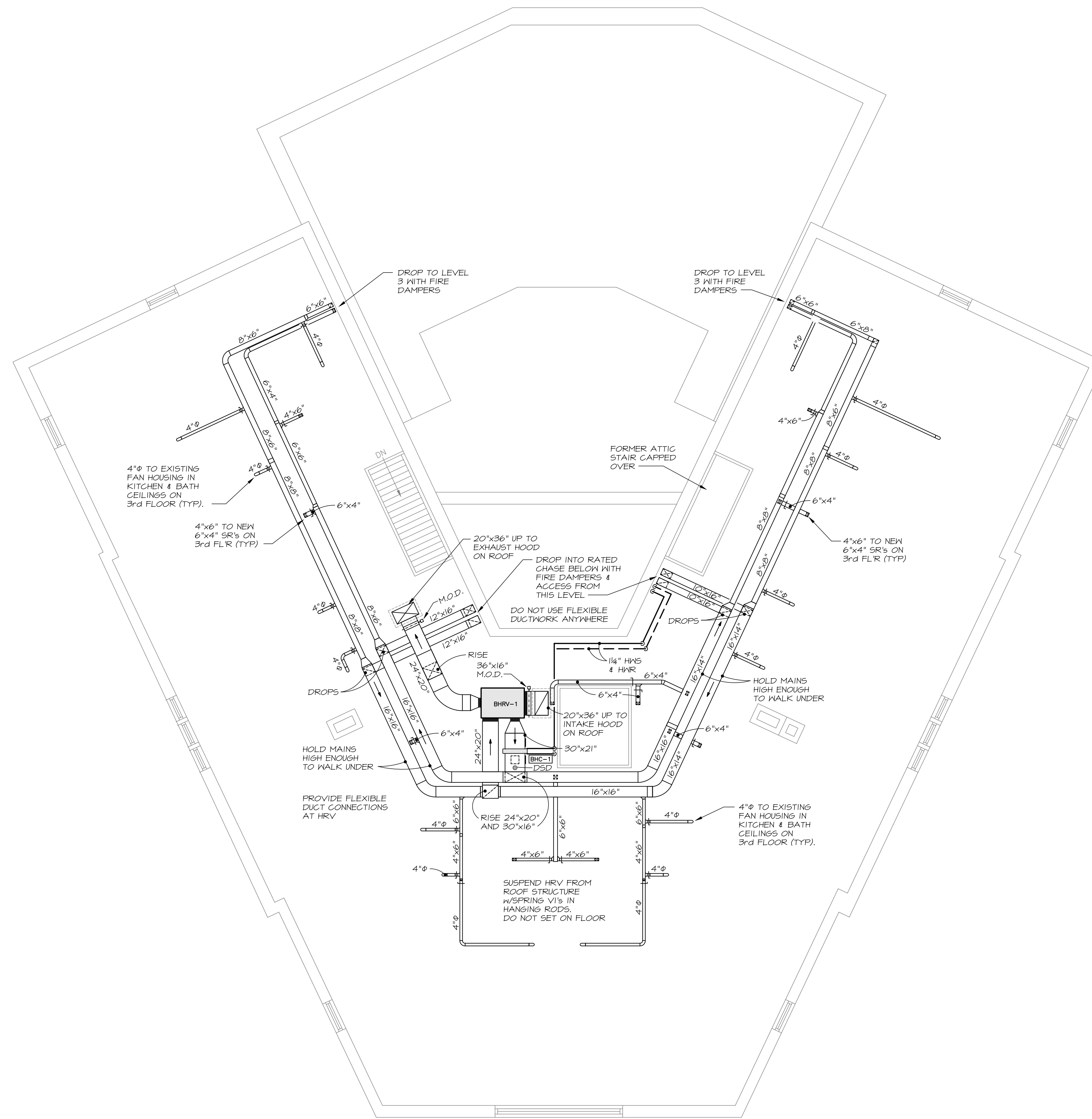
1 **HOT WATER COIL PIPING**  
NO SCALE



2 **DUCT HEATING COIL MOUNTING**  
NO SCALE



3 **RELIEF/INTAKE HOOD**  
NO SCALE



4 **ATTIC MECHANICAL PLAN**  
SCALE: 1/8" = 1'-0"

PERMIT SET

revisions

date

January 17, 2015

sheet title

butler  
attic  
mechanical plan

scale

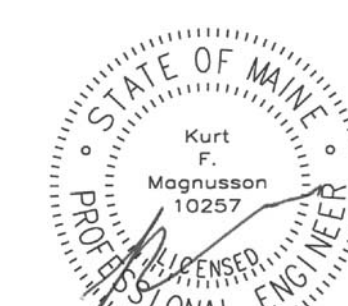
1/8" = 1'-0"

drawn by

R.E.M.

project number

butpay



**MECHANICAL SYSTEMS ENGINEERS**  
ROYAL RIVER CENTER, UNIT 108  
10 FOREST FALLS DRIVE, YARMOUTH, MAINE 04096  
(207) 846-1441  
FACEBOOK: MECHANICAL SYSTEMS ENGINEERS  
© COPYRIGHT 2015



**BM5**

