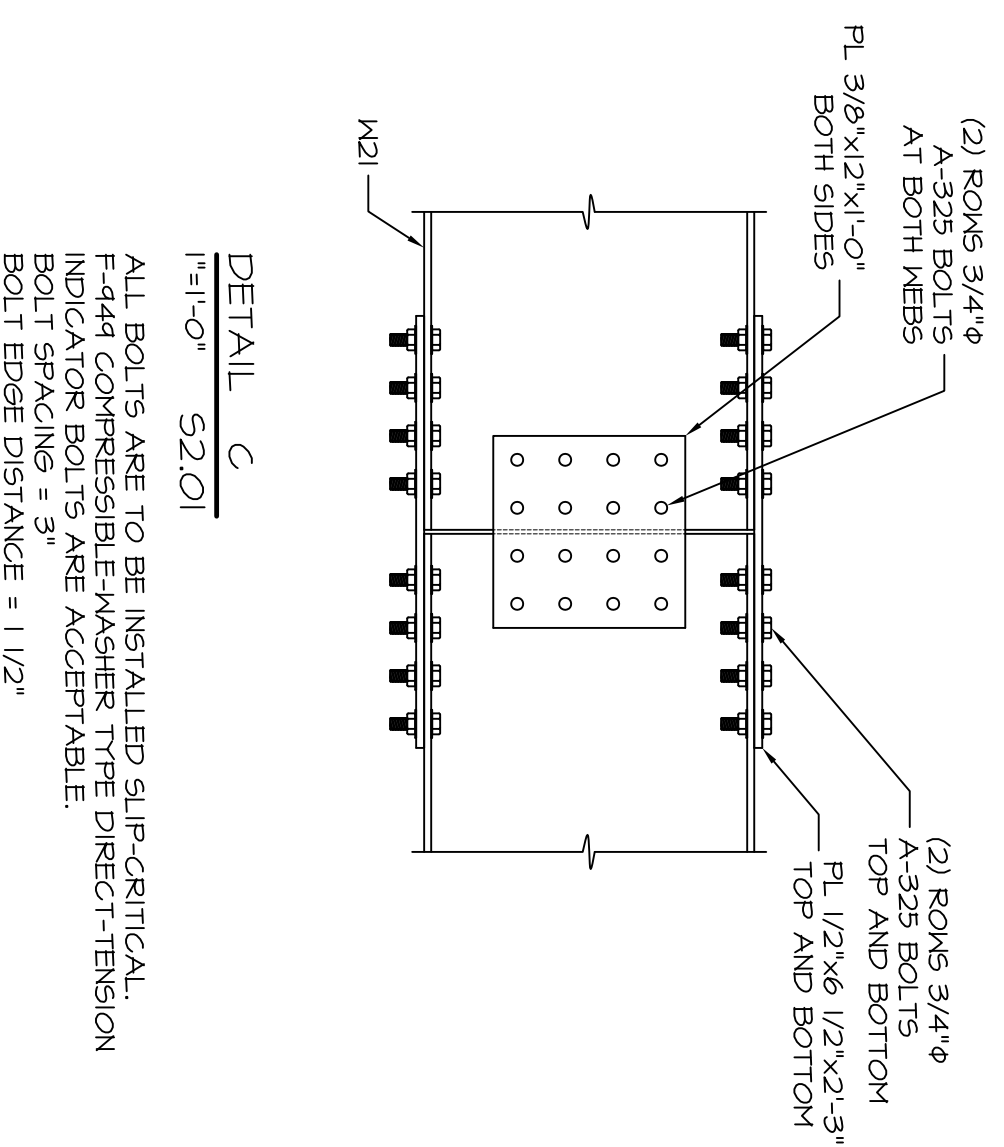
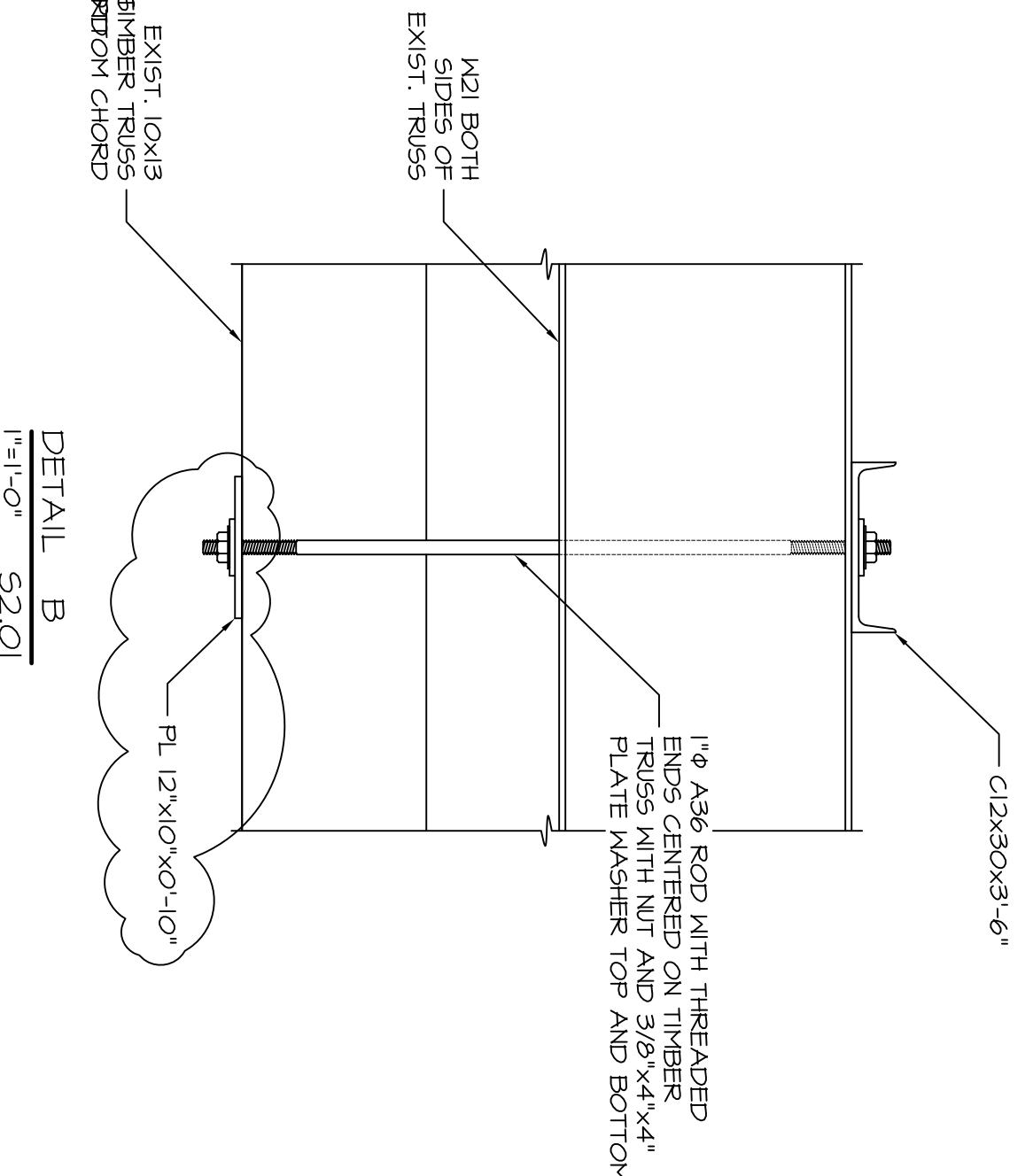
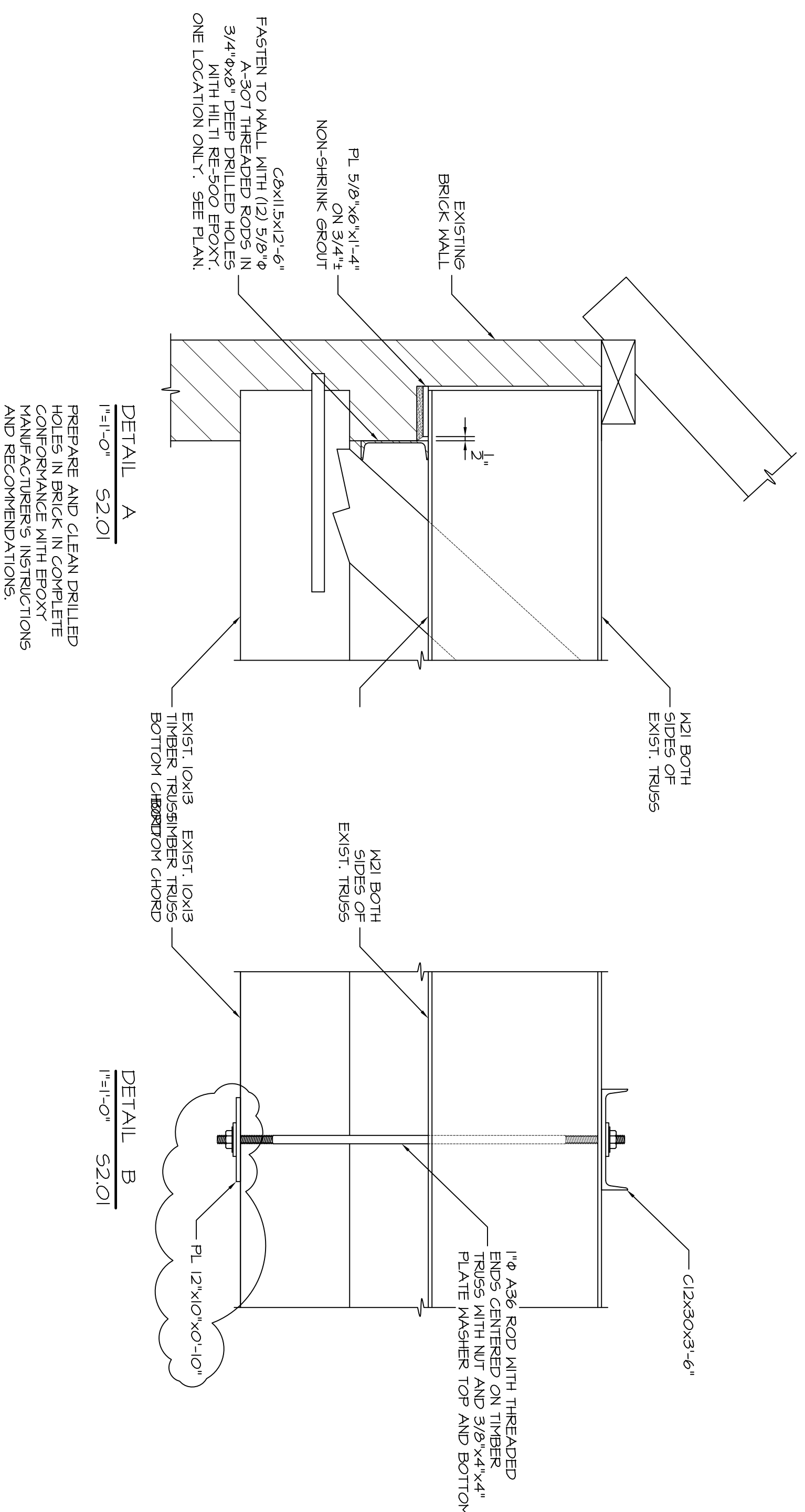
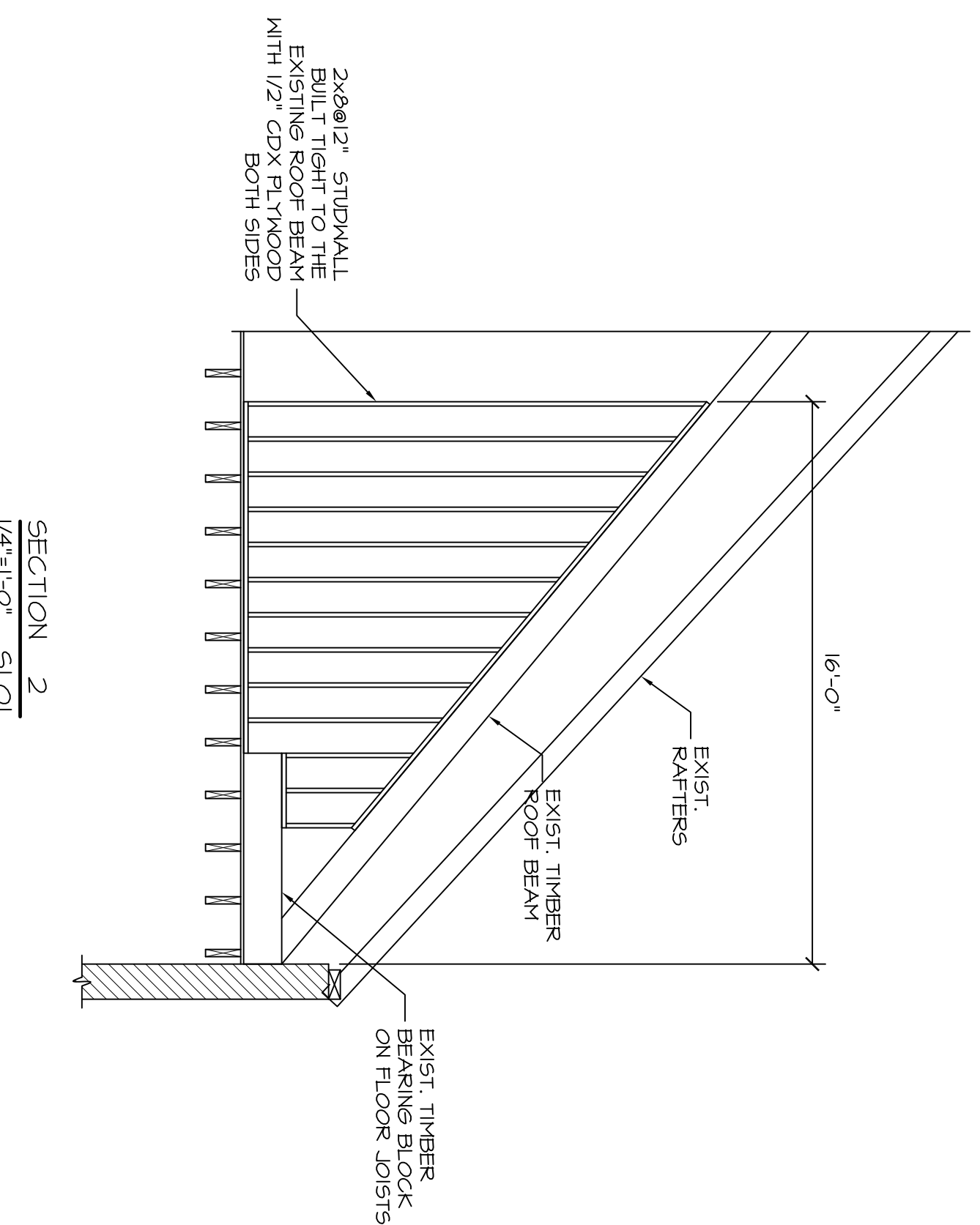
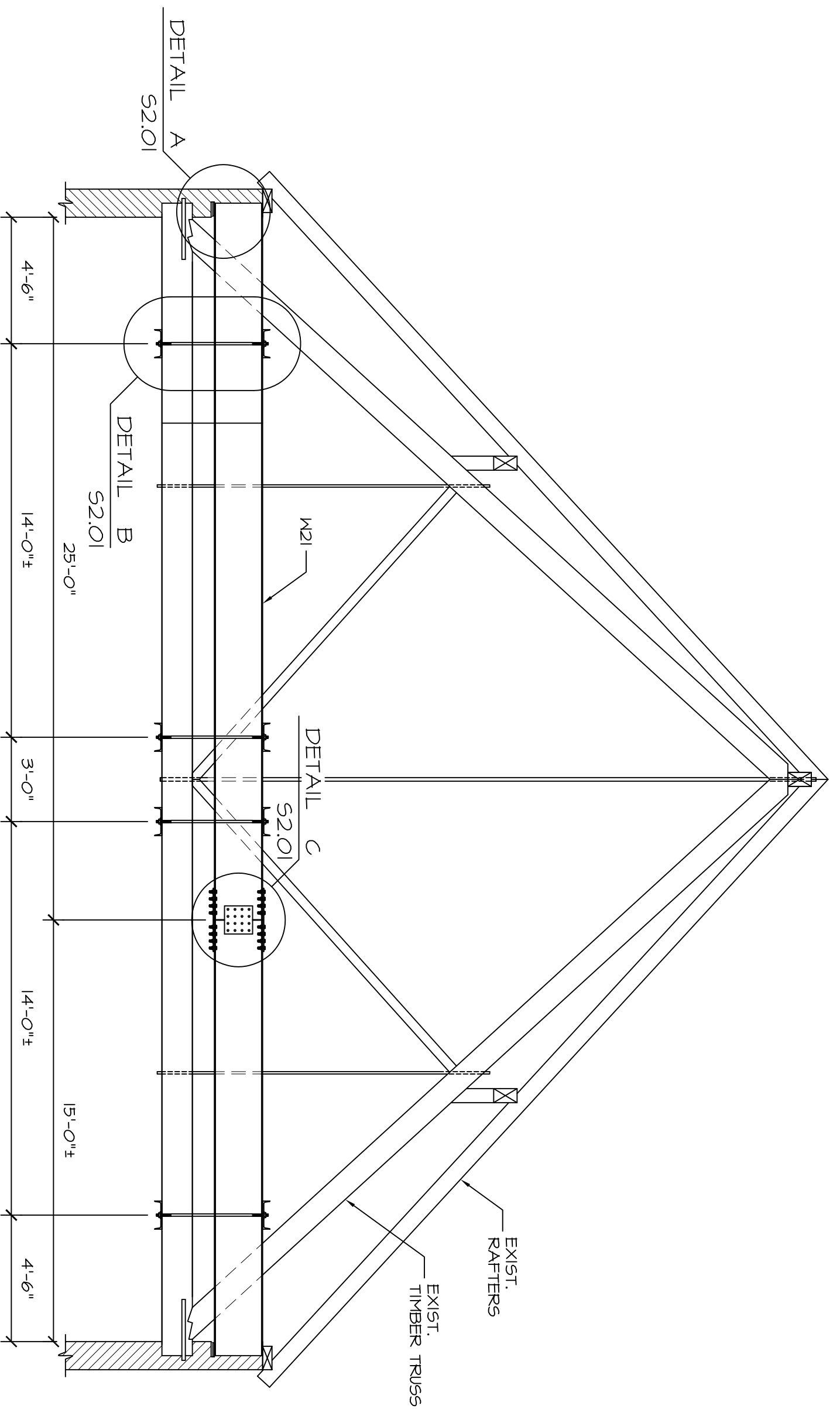
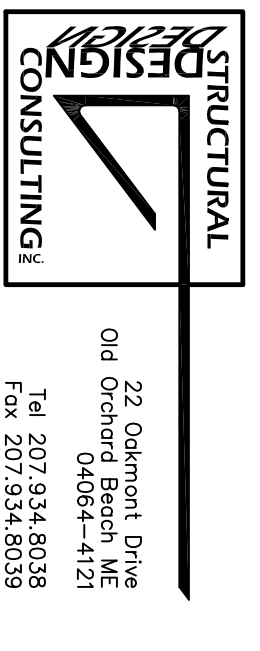


project name _____
Butler Payson
 pine st.
 state st.
 portland, me

avesta housing

goduti/thomas architects
 44 oak st.
 portland, maine 04101
 ph. 207-775-3184
 fax 207-774-0846



revisions 1 18 Nov 2014
 date 17 Nov 2014
 sheet title
**Roof Framing
 Structural
 Repair Sections
 and Details**
 scale as noted
 drawn by DJT
 project number 14023
 sheet number _____

S2.01