

GENERAL NOTES:

- The notes on the drawings are not intended to replace specifications, in addition to general notes. See specifications for requirements.
- Structural drawings shall be used in conjunction with job specifications and architectural, mechanical, electrical, plumbing, and site drawings. Consult, openings, chases, inserts, reglets, sleeves, depressions, and other details not shown on structural drawings.
- All dimensions and conditions must be verified in the field. Any discrepancies shall be brought to the attention of the engineer before proceeding with the affected part of the work.
- Do not scale plans.
- Sections and details shown on any structural drawings shall be considered typical for similar conditions.
- All proprietary products shall be installed in accordance with the manufacturers written instructions.
- The structure is designed to be self supporting and stable after the erection is complete. It is the contractor's sole responsibility to determine erection procedures and sequencing to ensure the safety of the building and its components during erection. This includes the addition of necessary shoring, sheeting temporary bracing, guys or tie-downs. Such material shall remain the property of the contractor after completion of the project.
- All applicable federal, state, and municipal regulations shall be followed, including the federal department of labor occupational safety and health act.

DESIGN LOADS:

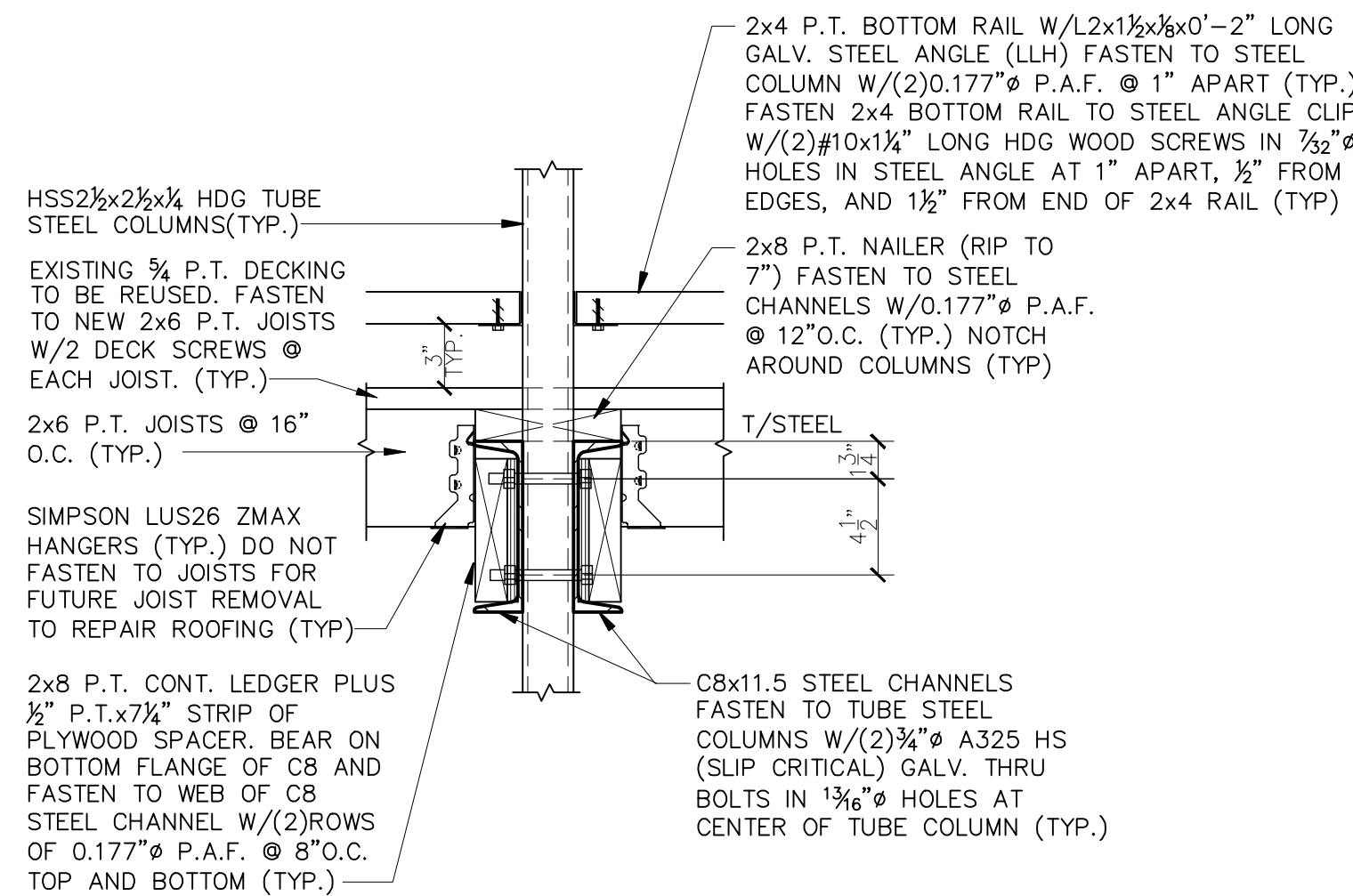
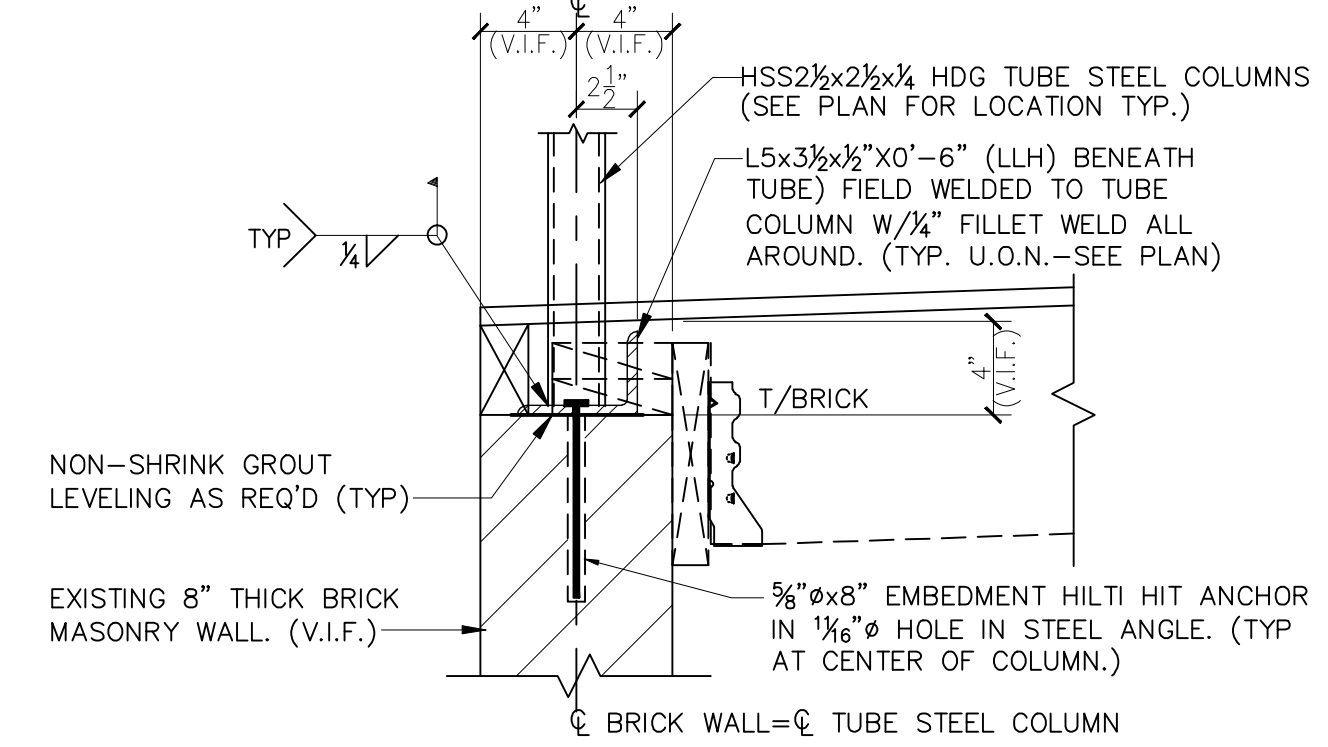
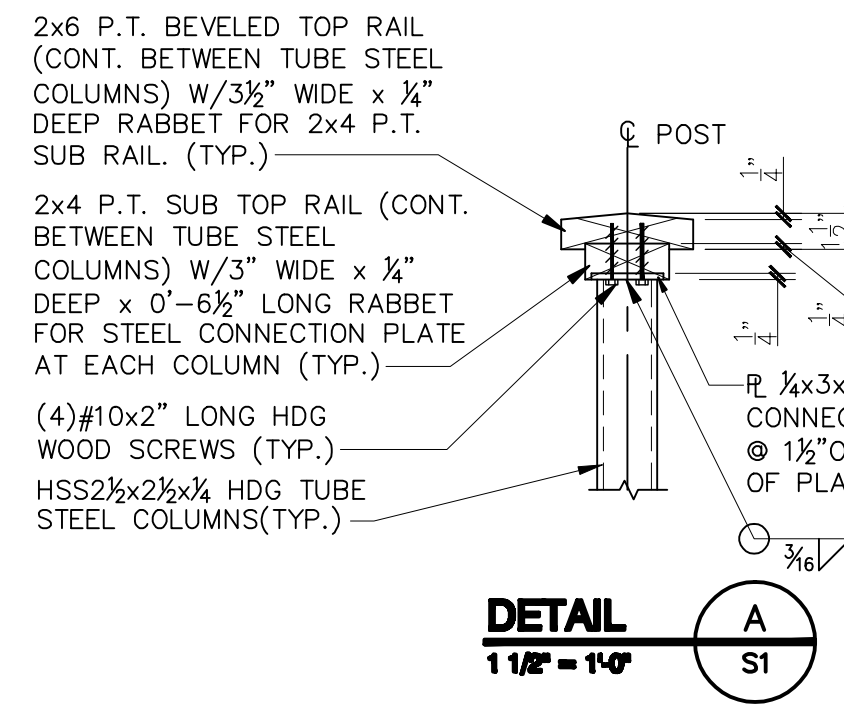
- Building code: IBC (2009) International Building Code.
- Design Live Loads: (Ground Snow load = 50 psf) deck 45 psf + drift as applicable
- Design wind loads are based on exposure B using 100 mph basic wind speed.

TIMBER FRAMING:

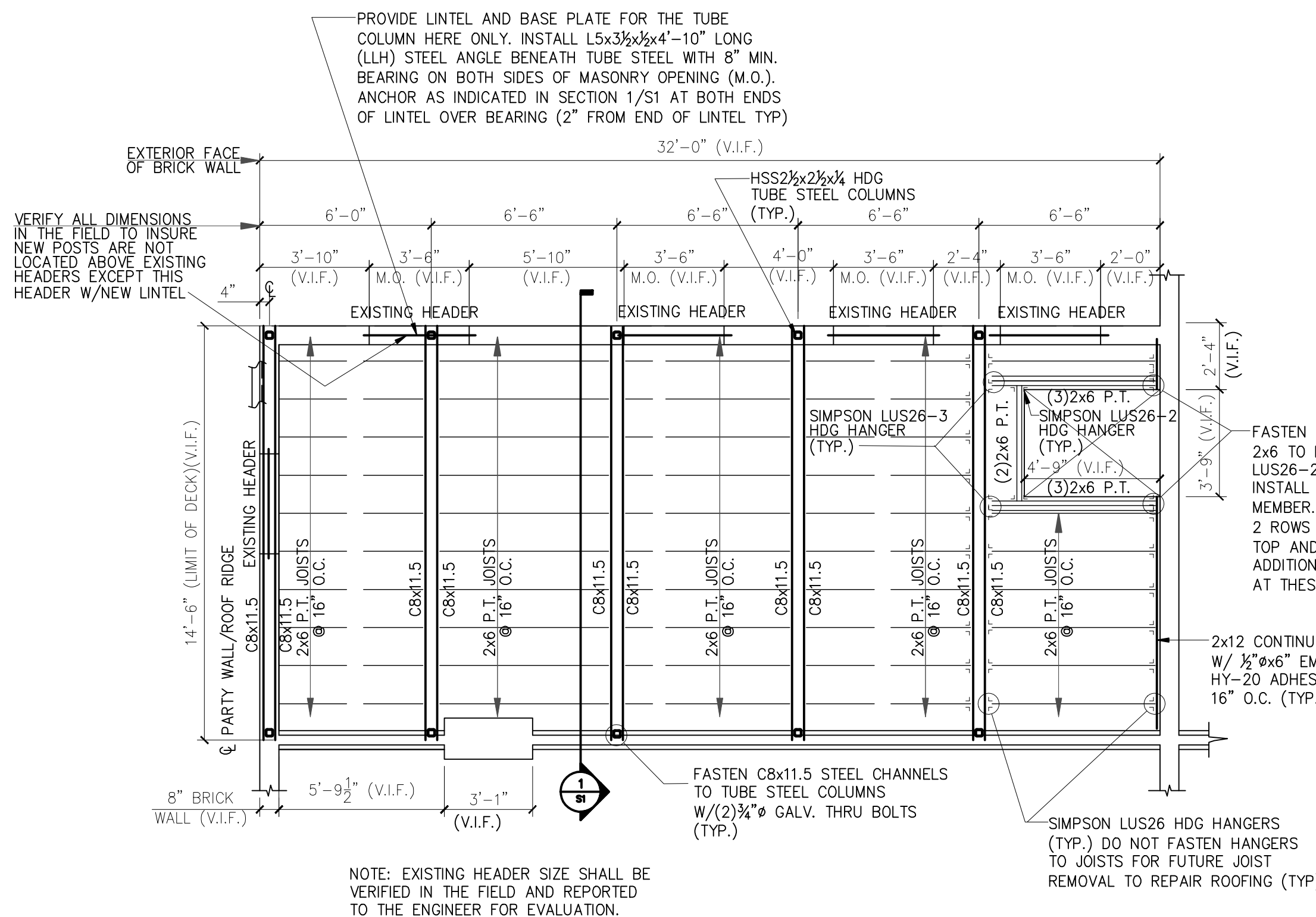
- All Timber framing shall be in accordance with the AITC timber construction manual or the national design specification (NDS) - latest edition.
- Individual timber framing members shall be visually graded, minimum grade #2 Spruce-Pine-Fir (SPF), kiln dried to 19% maximum moisture content.
- Timber shall be southern yellow pine treated with ACQ water borne preservative in accordance with AWPAC treatment C1 with 0.40 PCF retainage for items in contact with roofing, masonry or concrete with 0.60 PCF retainage for items in contact with earth.
- Metal connectors shall be used at all timber to timber connections or as noted on the design drawings.
- Nailing not specified shall conform with IBC 2009.

STRUCTURAL STEEL NOTES:

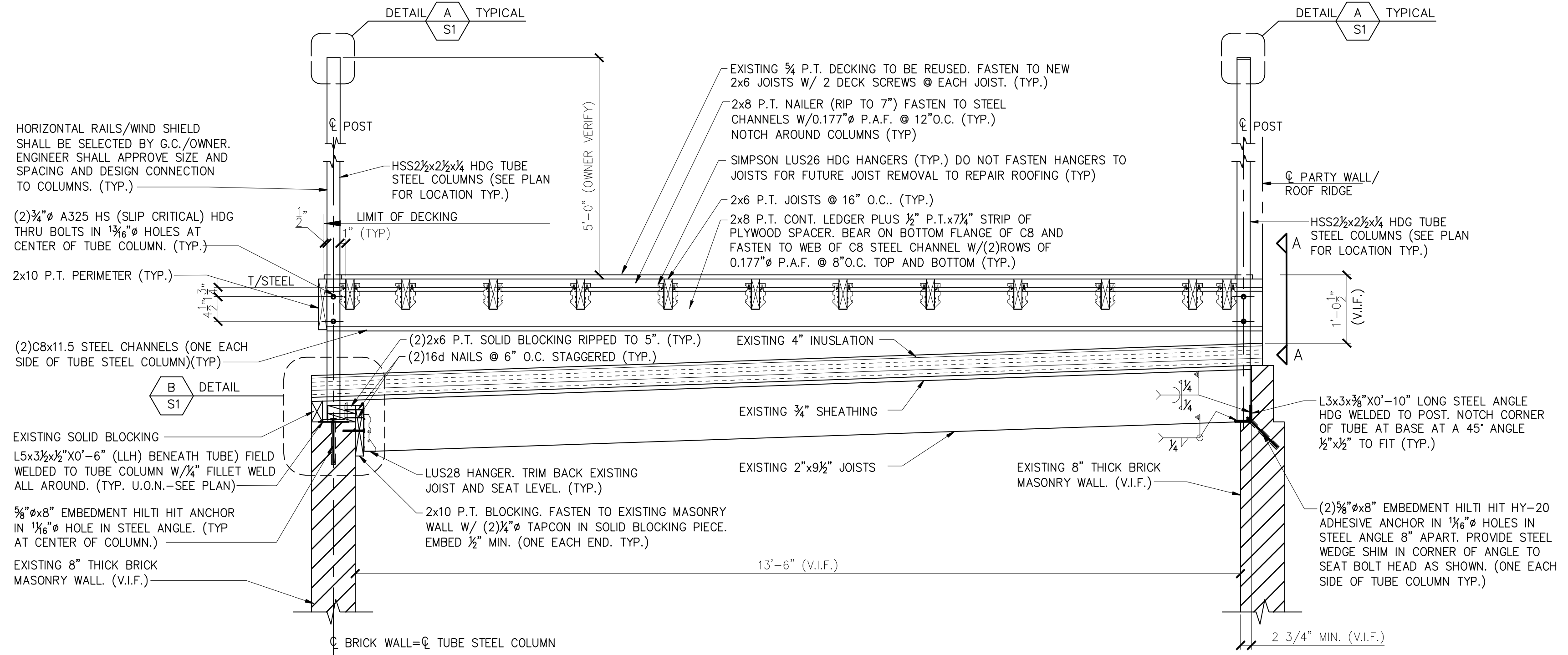
- Structural steel fabrication, erection, and connection design shall conform to AISC "Specification for the design, fabrication, and erection of structural steel"-Ninth edition.
- Structural steel:
 - Structural steel shall conform to ASTM A-36.
 - Structural tubing shall conform to ASTM A-500 GR-B
 - Structural pipe shall conform to ASTM A-53, TYPE E OR S
- Design connections for the reactions shown on the drawings or the maximum end reaction that can be produced by a laterally supported uniformly loaded beam for each given beam size and span.
- Field connections shall be bolted using 3/4" diameter ASTM A325 high strength bolts except where field welding is indicated on the drawings.
- All welding shall conform to AWS D1.1-Latest edition. Welding electrodes shall be E70XX.
- Structural Steel Primer Paint, TNEPEC 10-99 Alkyd rust inhibitive primer, 2.0 to 3.5 mils dry thickness, or approved alternate.
- Structural Steel Top Coat for steel permanently exposed to view. TNEPEC series 2 TNEPEC-GLOSS Enamel, 3.0 to 5.0 mils dry thickness, or approved alternate.



SECTION A-A
11/8" = 1'-0"

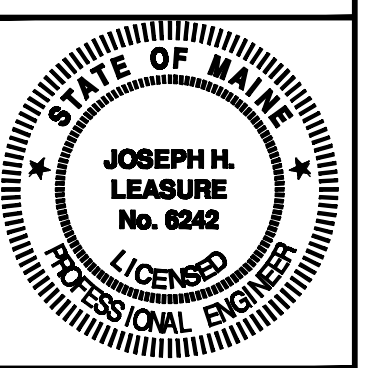


DECK FRAMING PLAN
1/4" = 1'-0"



SECTION 1
3/4" = 1'-0"

L & L STRUCTURAL ENGINEERING SERVICES, INC.
SIX Q. STREET
SOUTH PORTLAND, MAINE 04106
PHONE: (207) 767-4830
FAX: (207) 799-5432



rev.	date	description	designed by	checked by
0	3-23-11	FOR CONSTRUCTION	KSP, AKB	JHL
1	02/28/11	scale AS NOTED	KSP, AKB	JHL
2	3-23-11	plot date: 3-23-11	KSP, AKB	JHL

EXTERIOR DECK DESIGN/REPAIR
91 PINE STREET
PORTLAND, MAINE 04101
GENERAL NOTES, FRAMING PLAN AND DETAILS

S1

THESE DRAWINGS HAVE BEEN DEVELOPED BY L&L STRUCTURAL ENGINEERING SERVICES, INC. FOR THE TITLED SET ONLY. THE DRAWINGS ARE THE SOLE PROPERTY OF L&L ENGINEERING SERVICES, INC. AND THEY SHALL NOT BE USED, LEANT, COPIED OR ALTERED WITHOUT THE WRITTEN CONSENT OF L&L STRUCTURAL ENGINEERING SERVICES, INC.