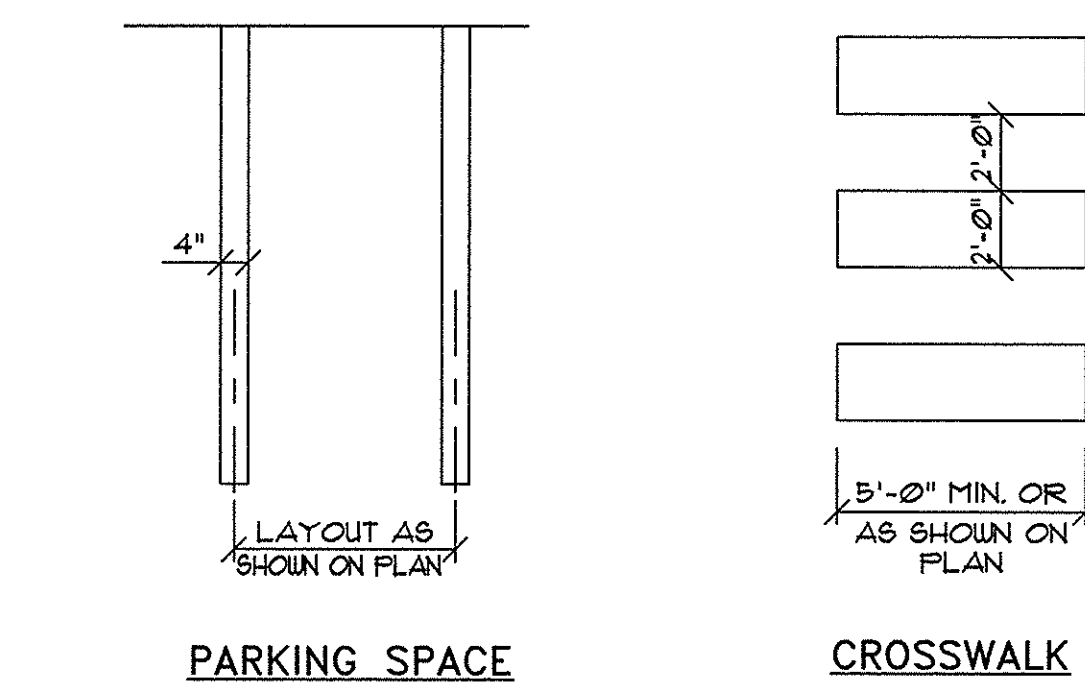
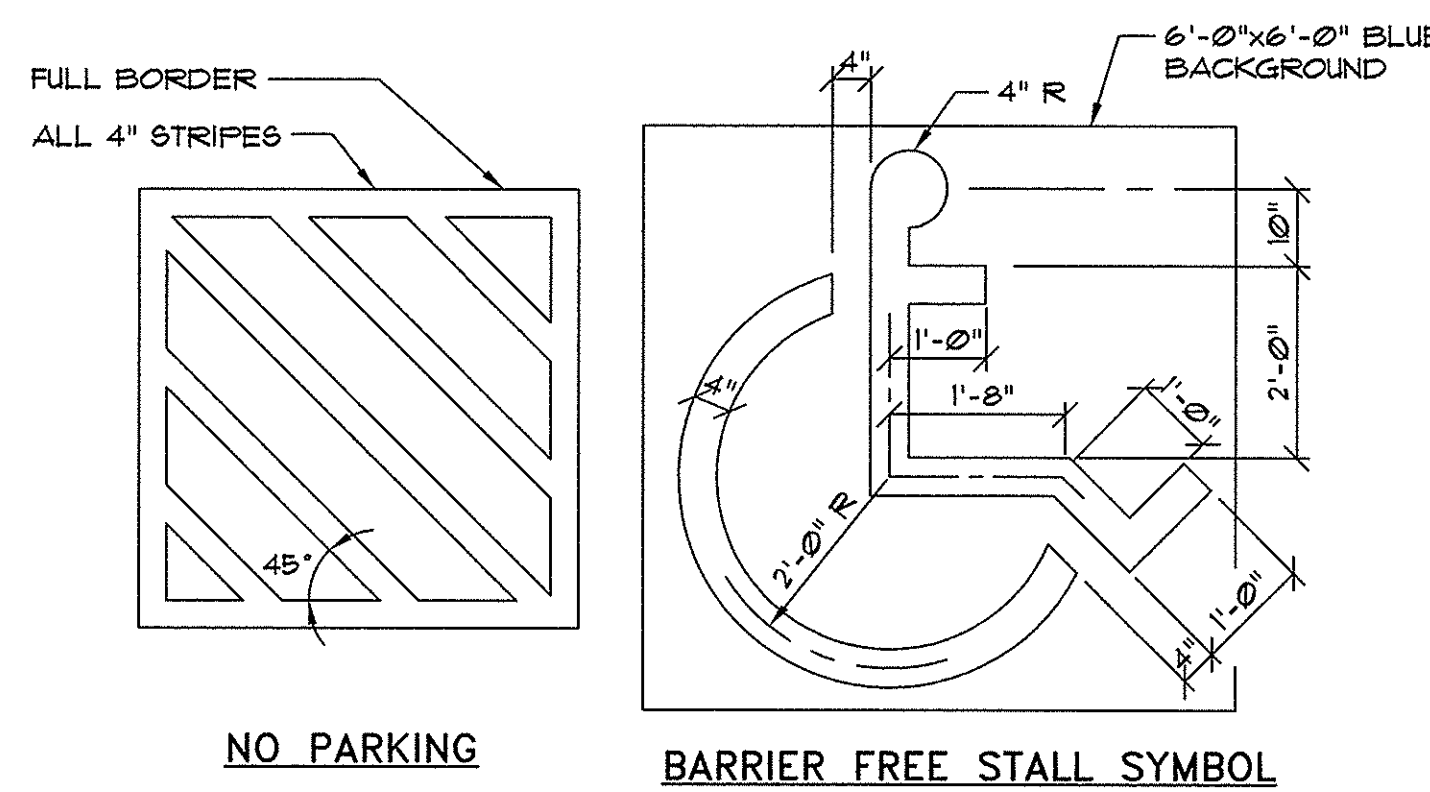


NOTES:

1. SIGNS SHALL BE FABRICATED AND INSTALLED IN ACCORDANCE WITH MAINE DEPARTMENT OF TRANSPORTATION STANDARD SPECIFICATIONS, HIGHWAYS AND BRIDGES REVISION OF DECEMBER 2002, SECTION 645.
2. ALL PERMANENT SIGNS ON THIS PROJECT ARE CLASSIFIED UNDER SECTION 645.03(b) TYPE I REGULATORY WARNING AND ROUTE MARKER ASSEMBLY SIGNS.
3. SIGN MATERIAL SHALL BE AS SPECIFIED IN SECTION 119 OF THE MDOT STANDARD SPECIFICATIONS.
4. POSTS SHALL BE METAL CHANNELS AS SPECIFIED IN SECTION 120.00. ALTERNATE POSTS MAY BE 4"x6" WOOD AS SPECIFIED IN SECTION 120.12, AS APPROVED BY ENGINEER.
5. POSTS IN THE PUBLIC RIGHT-OF-WAY TO BE ON BREAKAWAY POSTS AS SPECIFIED IN SECTION 120 OF THE MDOT STANDARD SPECIFICATIONS.

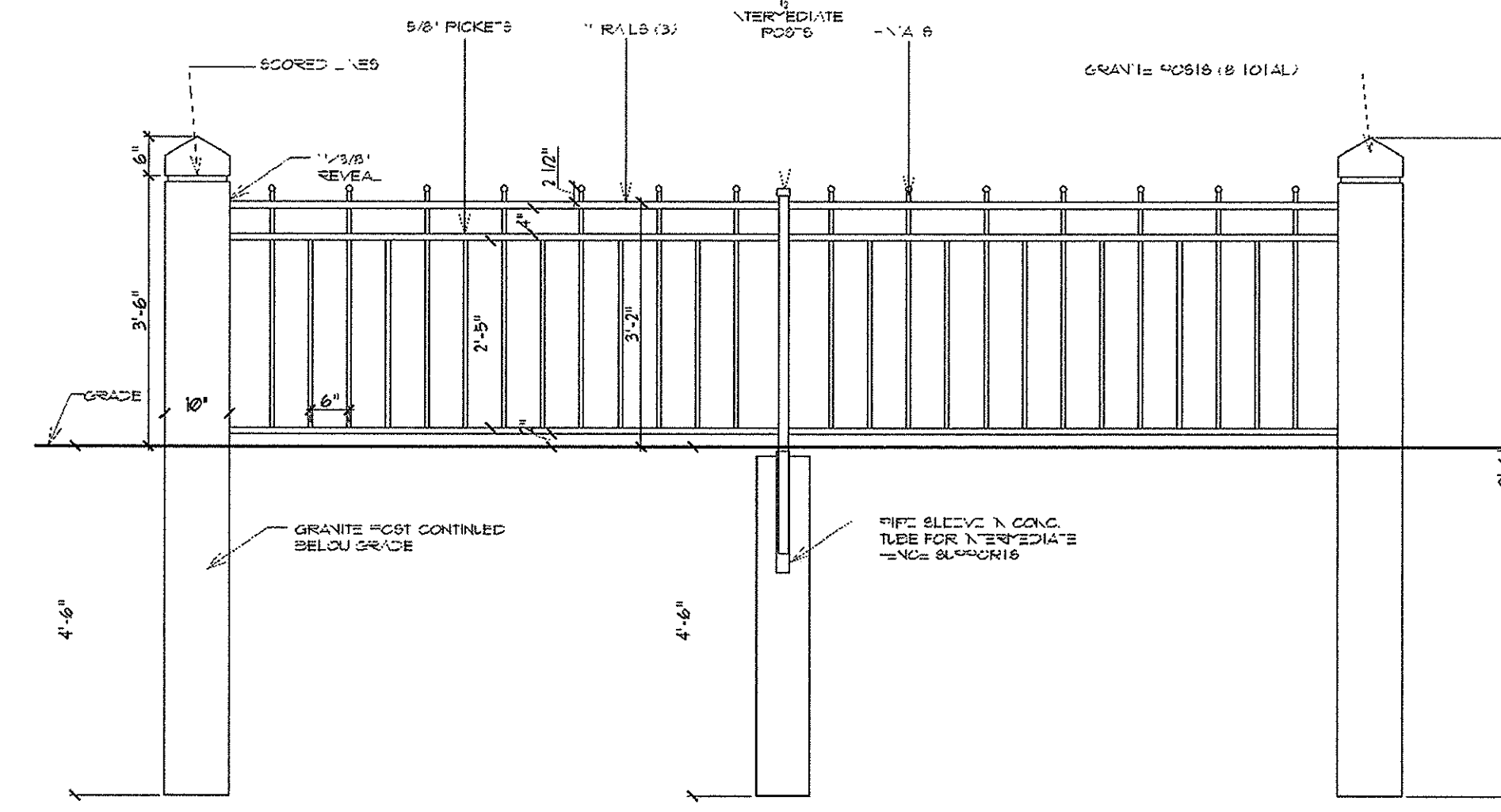
7 ROAD SIGN LEGEND

NOT TO SCALE



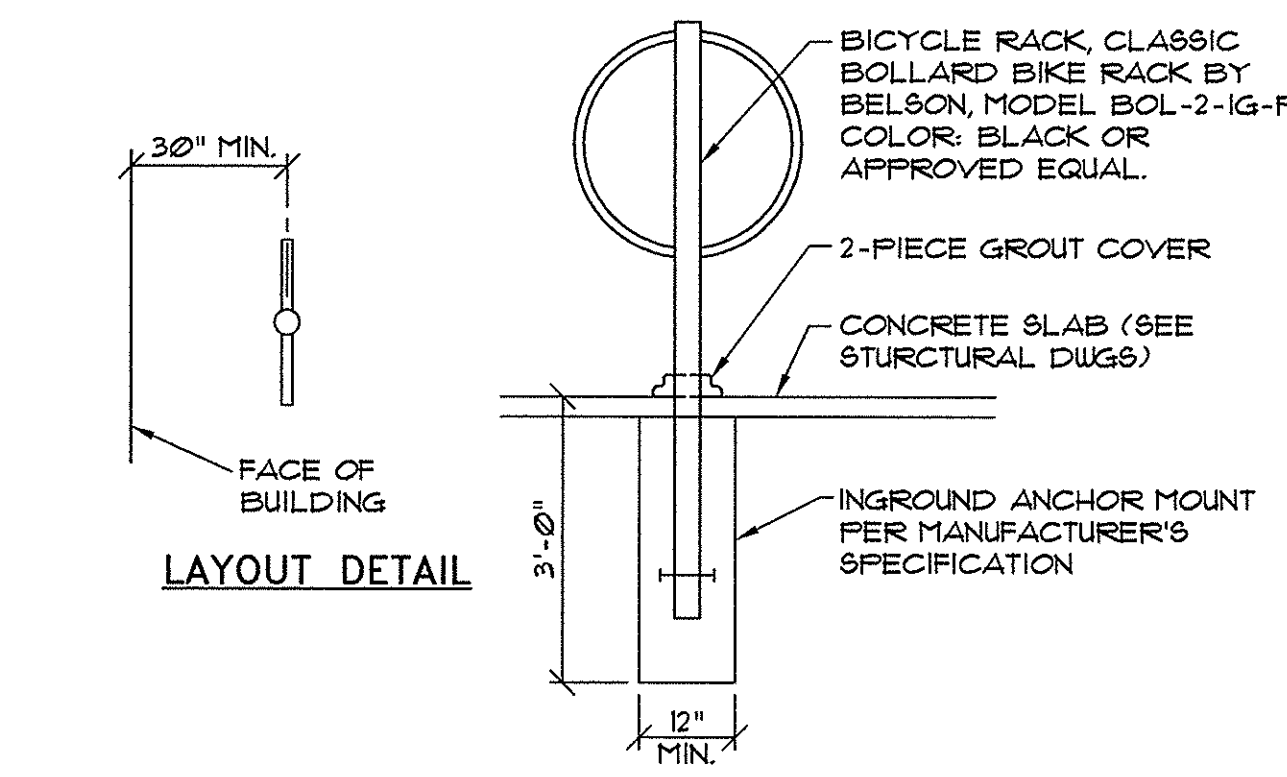
8 STRIPING DETAILS

NOT TO SCALE



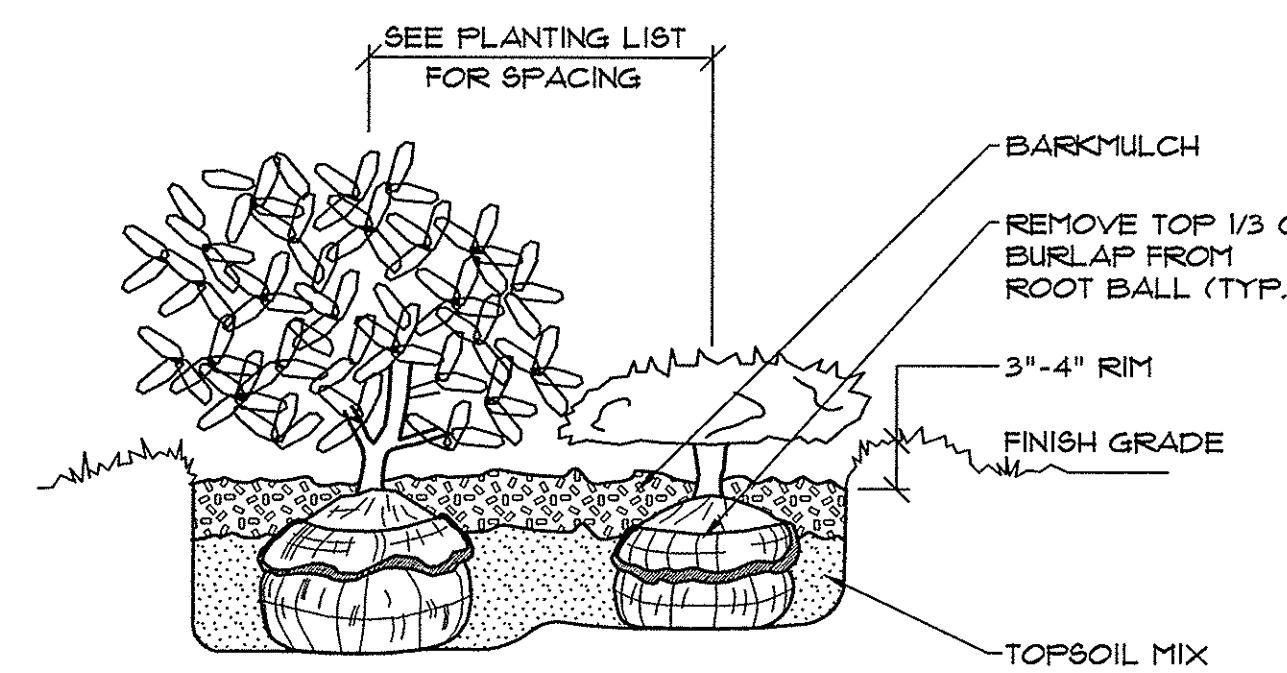
1 DECORATIVE FENCE SECTION

NOT TO SCALE



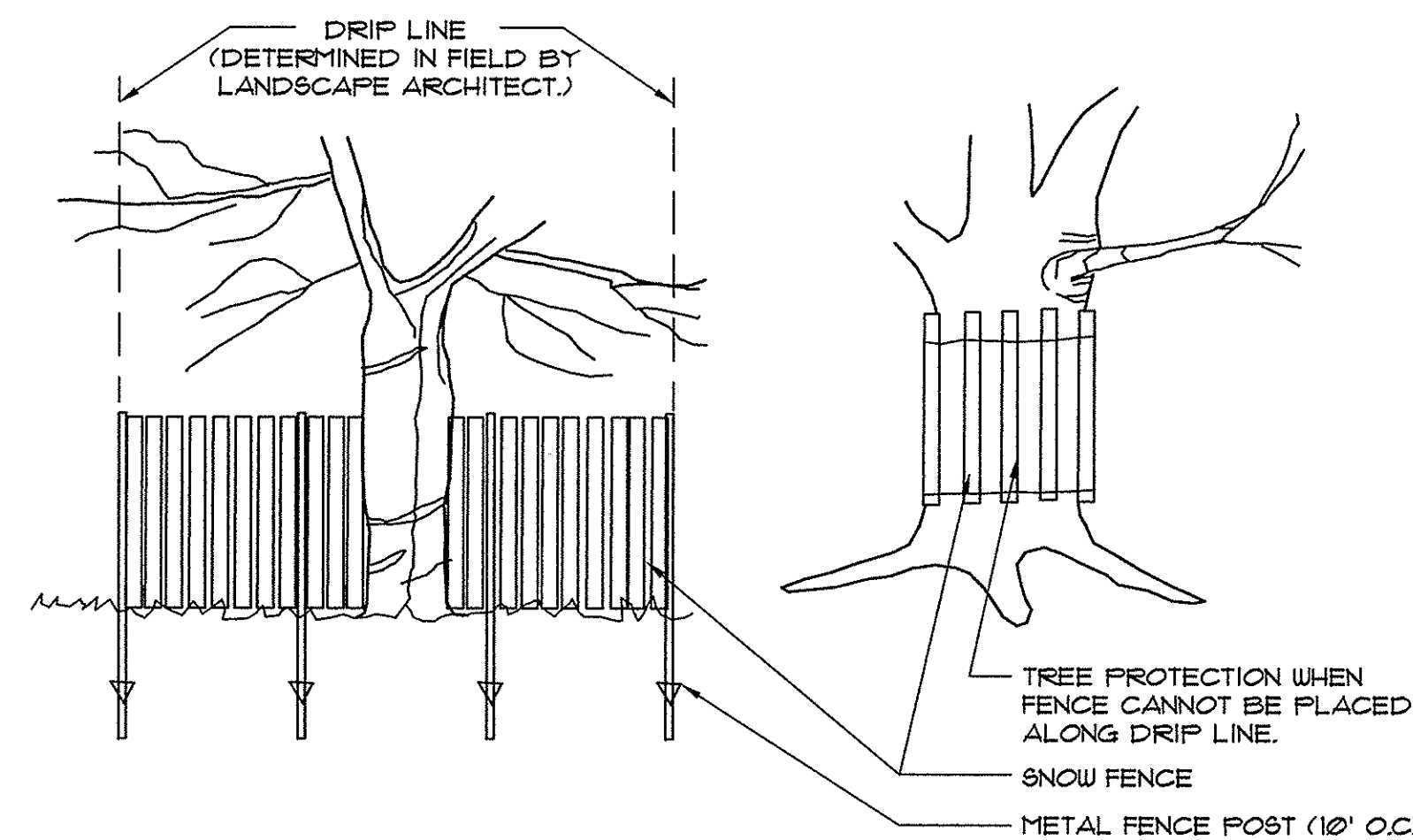
4 BIKE RACK DETAIL

NOT TO SCALE



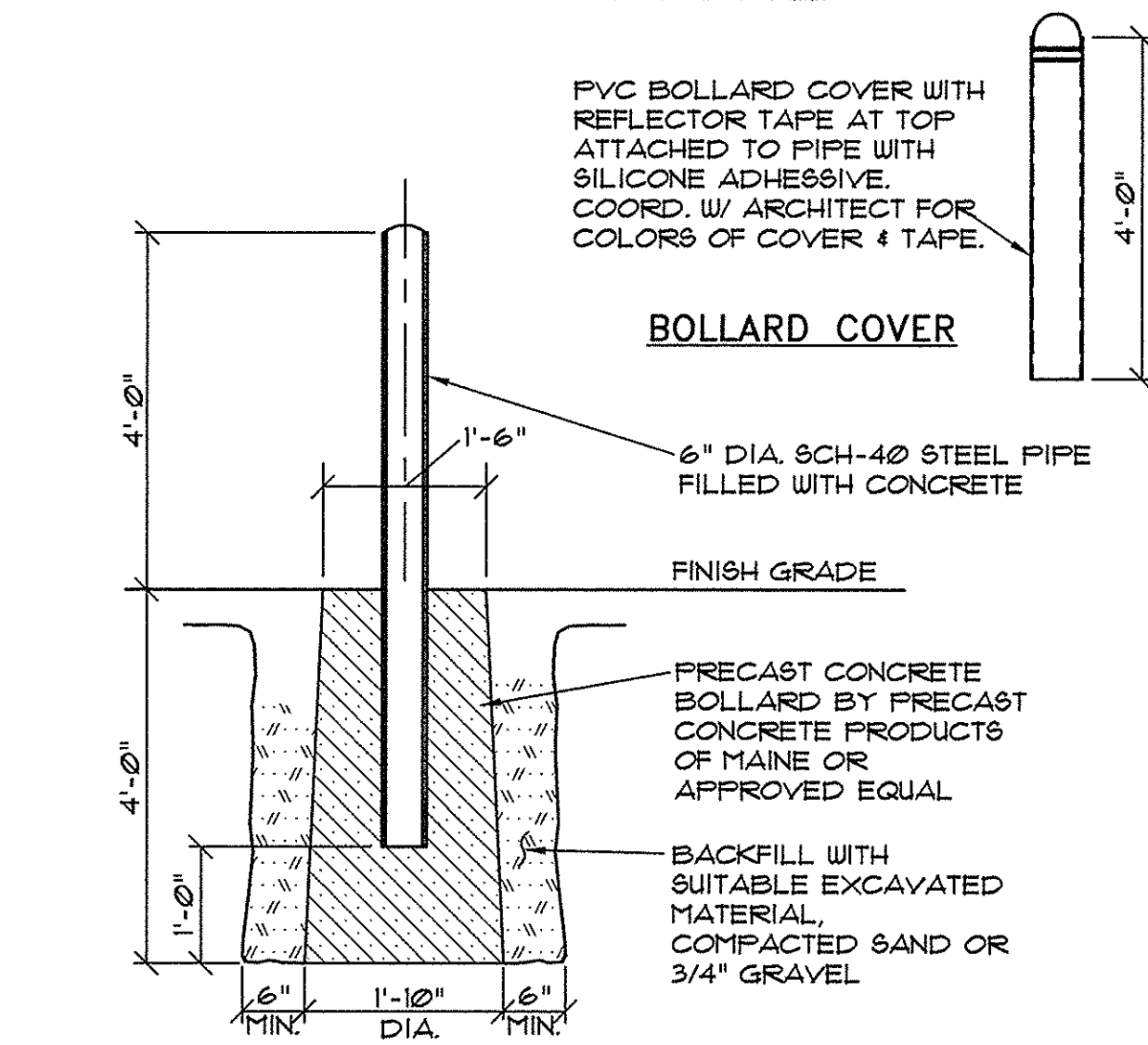
5 SHRUB PLANTING DETAIL

NOT TO SCALE



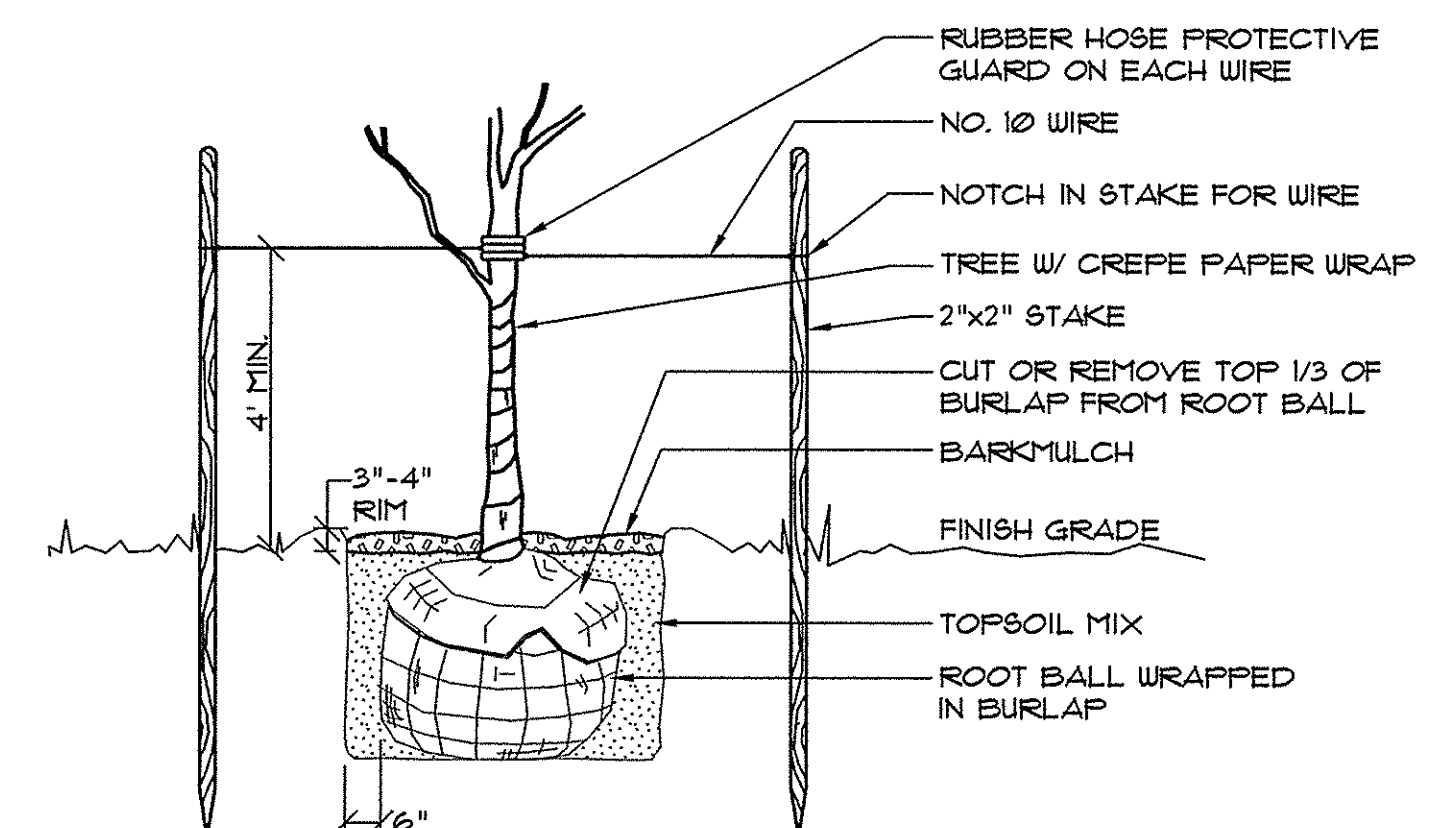
6 TREE PROTECTION FENCE

NOT TO SCALE

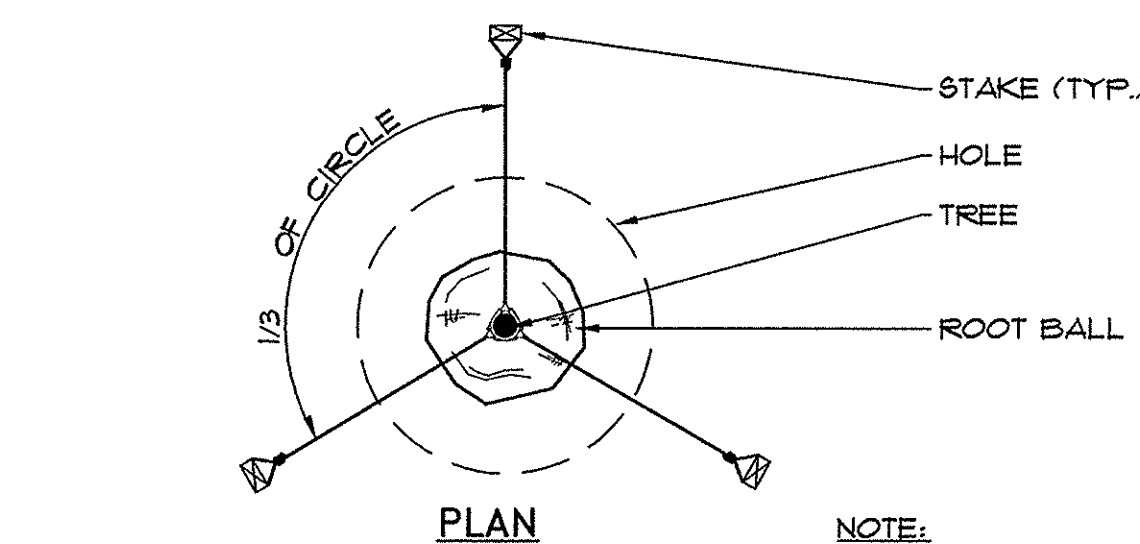


2 STEEL BOLLARD DETAIL

NOT TO SCALE



SECTION



PLAN

NOTE: TREES UNDER 8' DO NOT REQUIRE STAKING.

3 TREE PLANTING DETAIL

NOT TO SCALE

PINKHAM & GREER CIVIL ENGINEERS
 28 WANNAMOE AVENUE, PORTLAND, ME 04103
 TEL: 207.781.5249 FAX: 207.781.4545

THOMAS GREER
 LICENSED PROFESSIONAL ENGINEER
 STATE OF MAINE
 LICENSE NO. 4230

REV.	DATE	DESCRIPTION
1	5/7/15	ISSUED FOR SUBDIVISION & SITE PLAN APPROVAL

AVESTA BUTLER PAYSON PL
 307 CUMBERLAND AVENUE
 PORTLAND, ME. 04101

SCALE: AS SHOWN
 DATE: APRIL 23, 2015
 PROJECT: 15108

DRN BY: RJS/JDC
 DESG BY: TSG
 CHK BY:

17 CARLETON STREET
 CARLETON STREET, PORTLAND, MAINE

DETAILS

C2.4

MAP/LOT 55/A/4