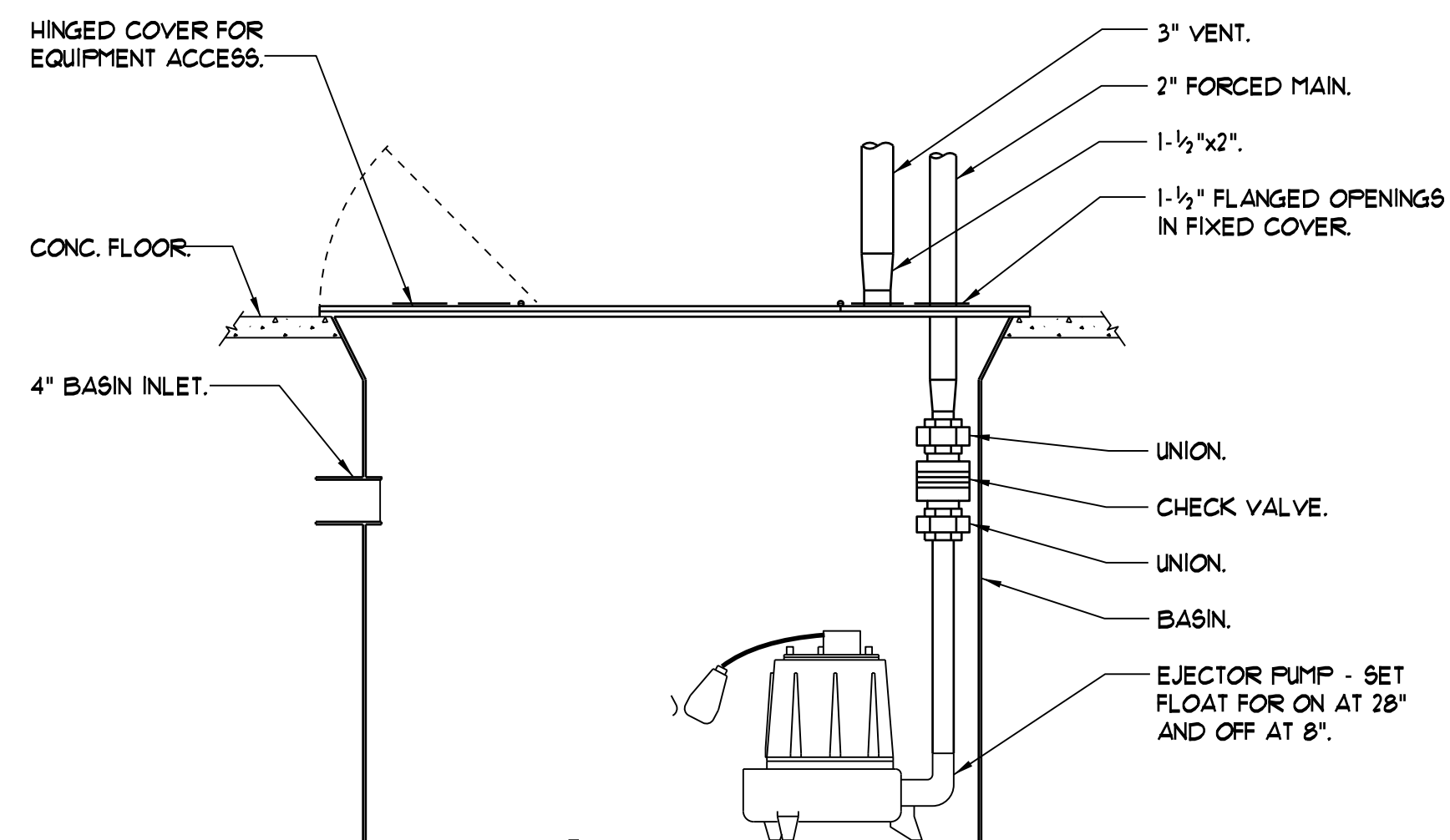


**CABINET UNIT HEATER PIPING DETAIL**

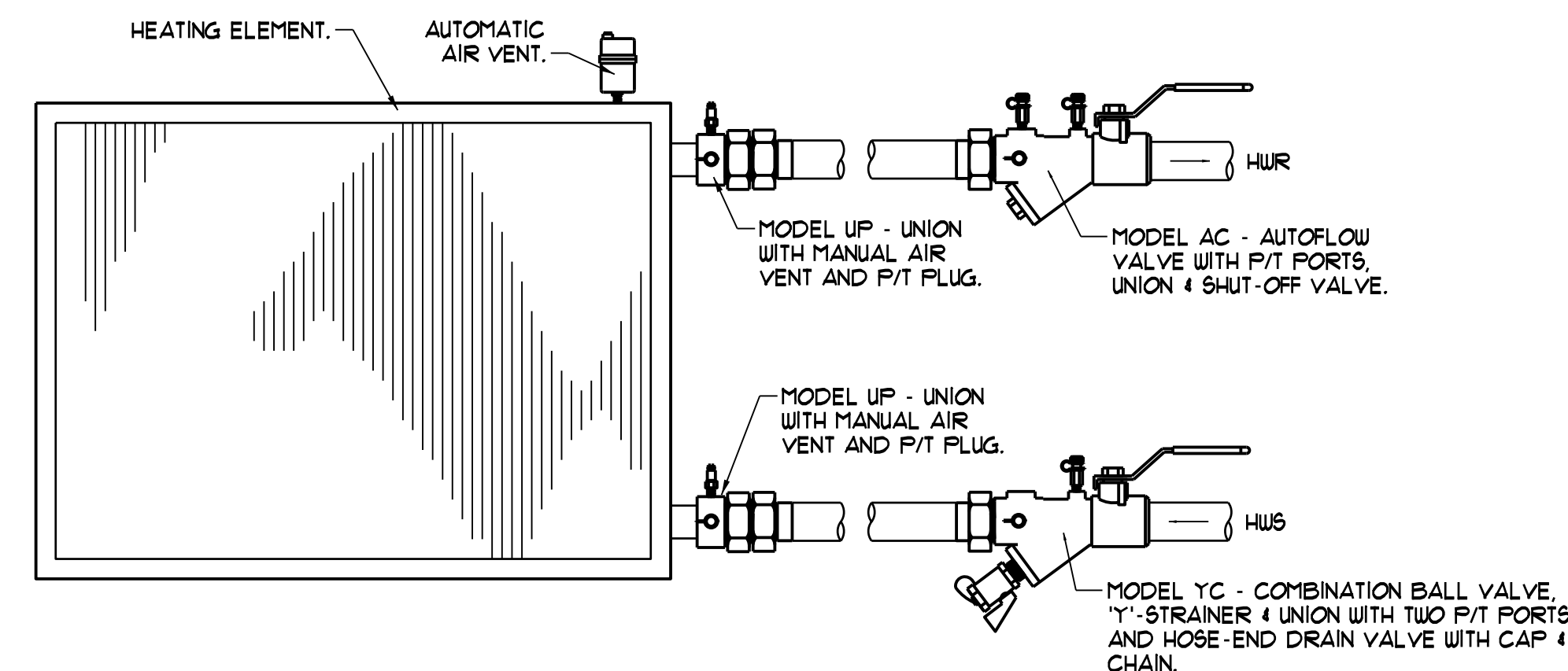
NTS



PROVIDE WITH RAILS TO FACILITATE PUMP SERVICE AND REMOVAL.

**SUMP PUMP DETAIL**

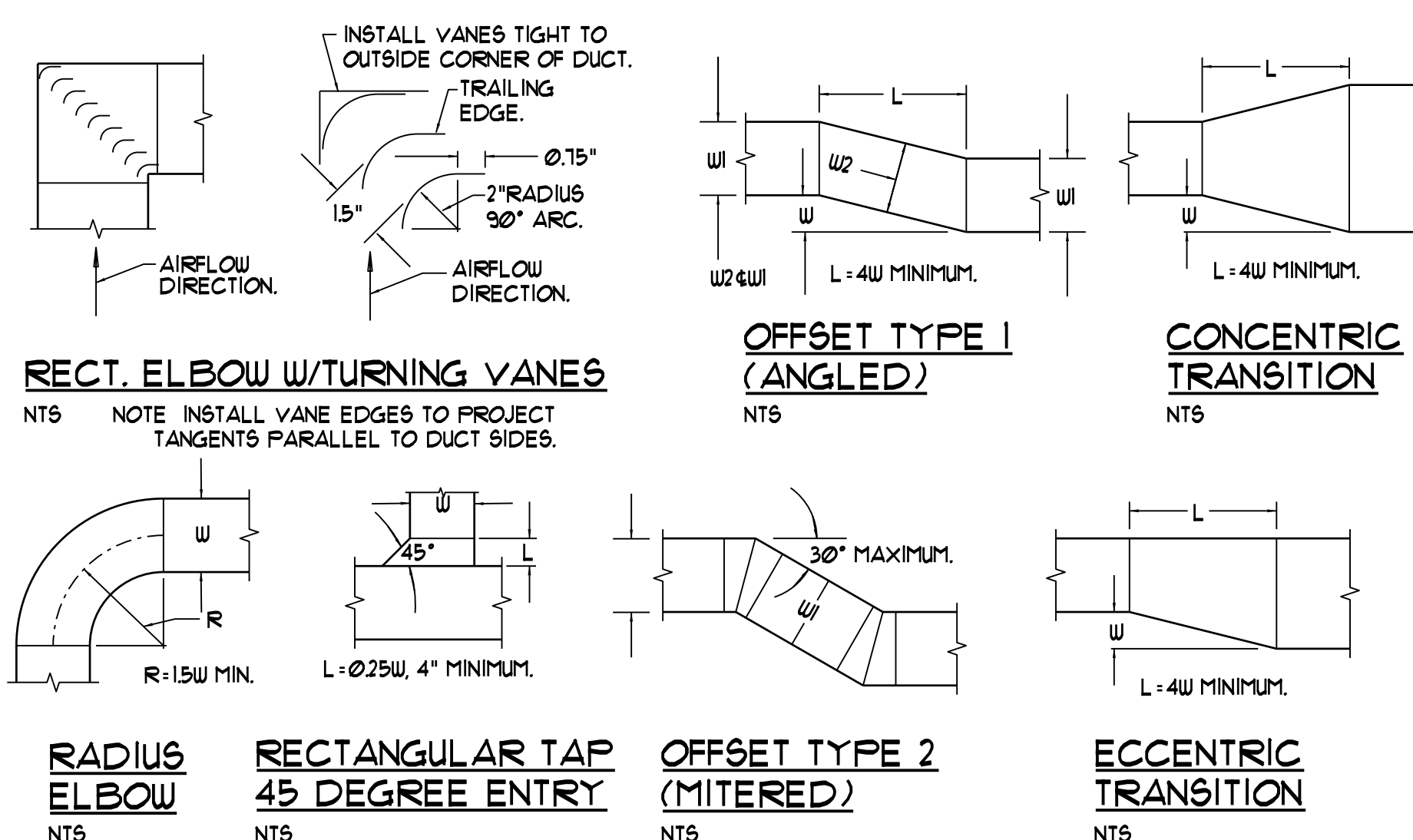
NTS



**AUTOFLOW VALVE PIPING SCHEMATIC W/ NO VALVE CONTROL**

NTS

NOTE - MODEL NUMBERS BASED ON FLOW DESIGN INC. FOR PIPE SIZES 2" AND SMALLER.  
NOTE - DETAIL APPLIES TO UNIT HEATERS, CABINET UNIT HEATERS AND WALL HEATERS (WHERE INDICATED).



**RECT. ELBOW W/TURNING VANES**

NTS NOTE INSTALL VANE EDGES TO PROJECT TANGENTS PARALLEL TO DUCT SIDES.

**OFFSET TYPE 1 (ANGLED)**

NTS

**CONCENTRIC TRANSITION**

NTS

**RADIUS ELBOW**

NTS

**RECTANGULAR TAP 45 DEGREE ENTRY**

NTS

**OFFSET TYPE 2 (MITERED)**

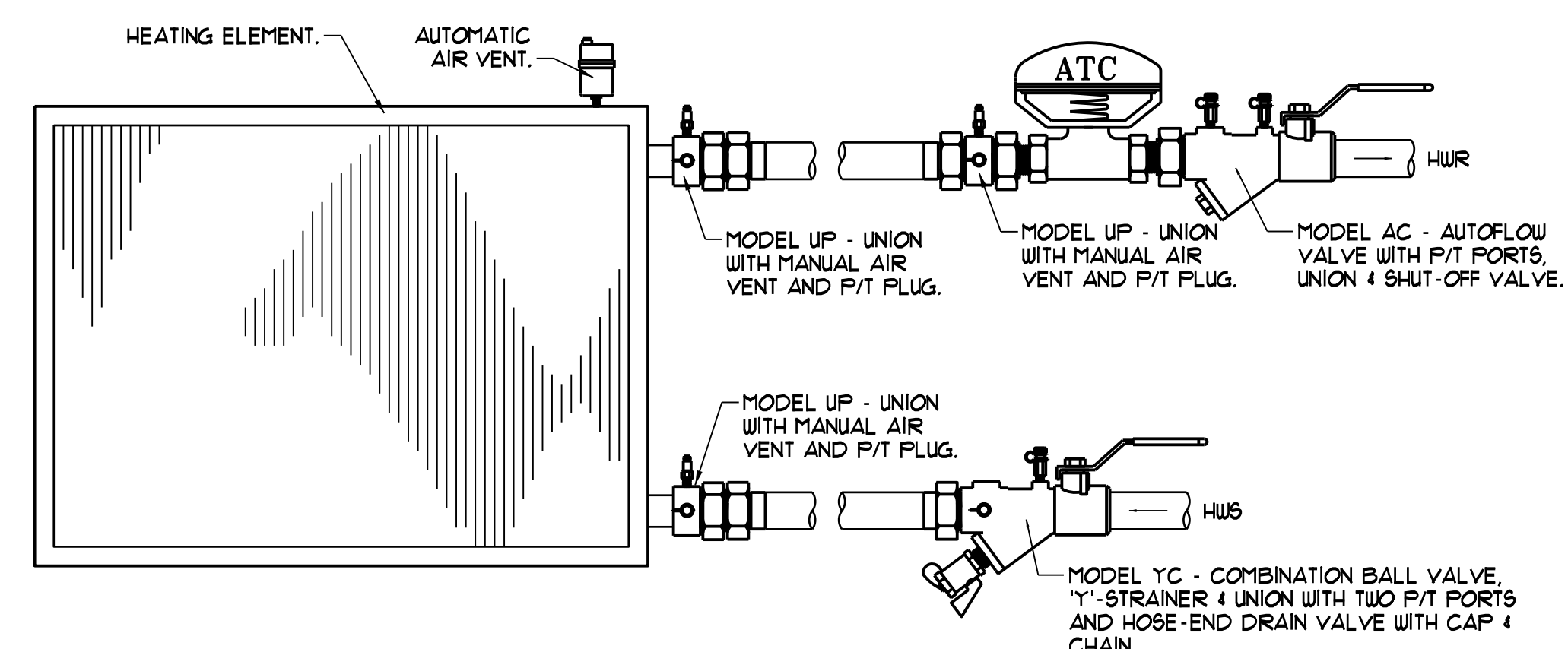
NTS

**ECCENTRIC TRANSITION**

NTS

**LOW PRESSURE DUCT CONSTRUCTION DETAILS - TYPICAL**

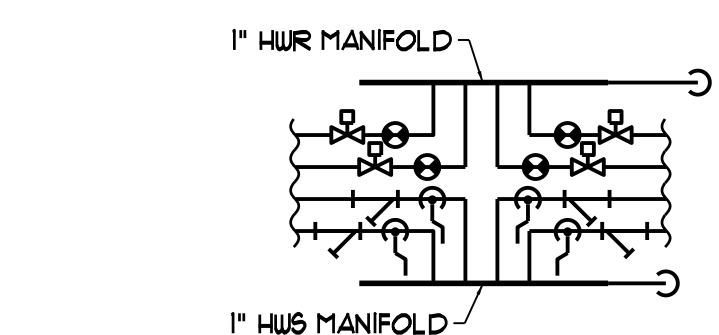
NTS



**AUTOFLOW VALVE PIPING SCHEMATIC W/ 2-WAY VALVE**

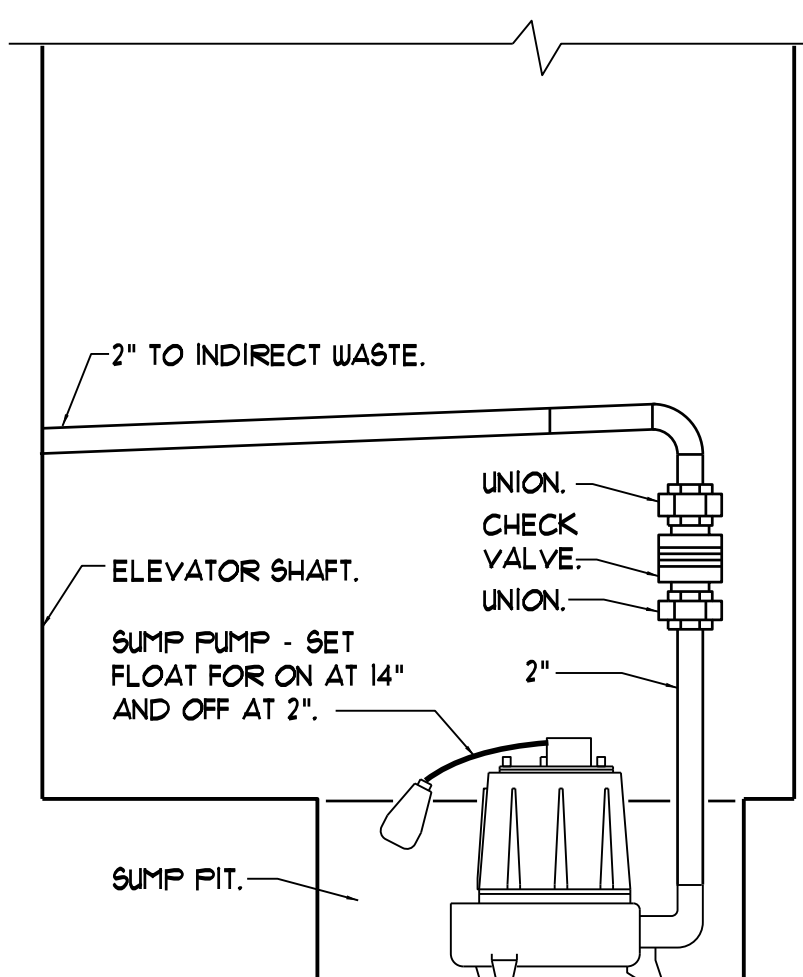
NTS

NOTE - MODEL NUMBERS BASED ON FLOW DESIGN INC. FOR PIPE SIZES 2" AND SMALLER.  
NOTE - DETAIL APPLIES TO FIN TUBE RADIATION AND WALL HEATERS (WHERE INDICATED).



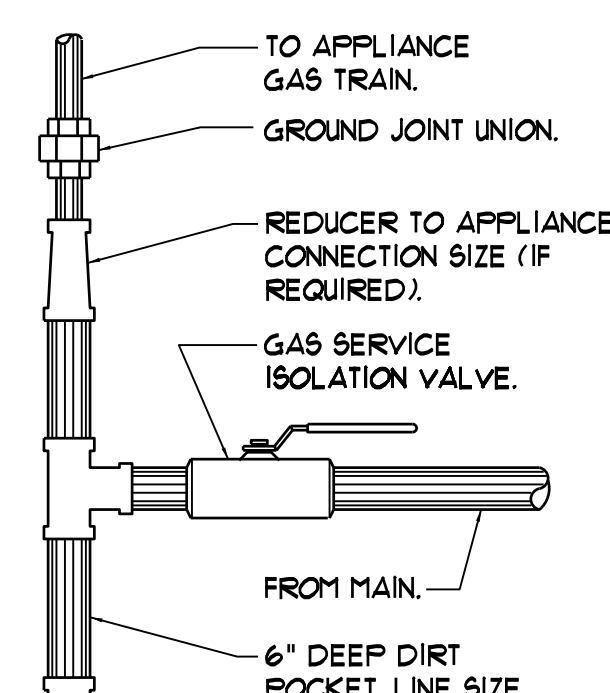
**TYPICAL HWS/R MANIFOLD PIPING DETAIL**

NTS



**ELEVATOR SUMP PUMP PIPING DETAIL**

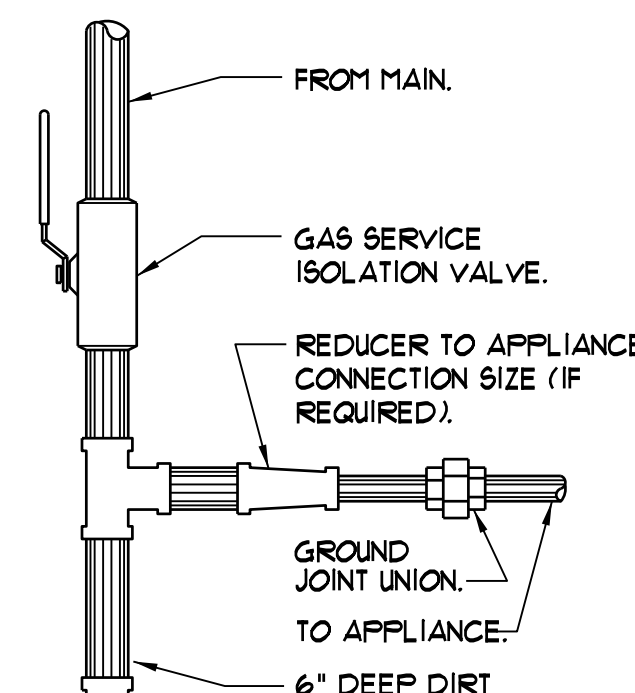
NTS



**UPFEED GAS PIPING CONNECTION DETAIL**

NTS

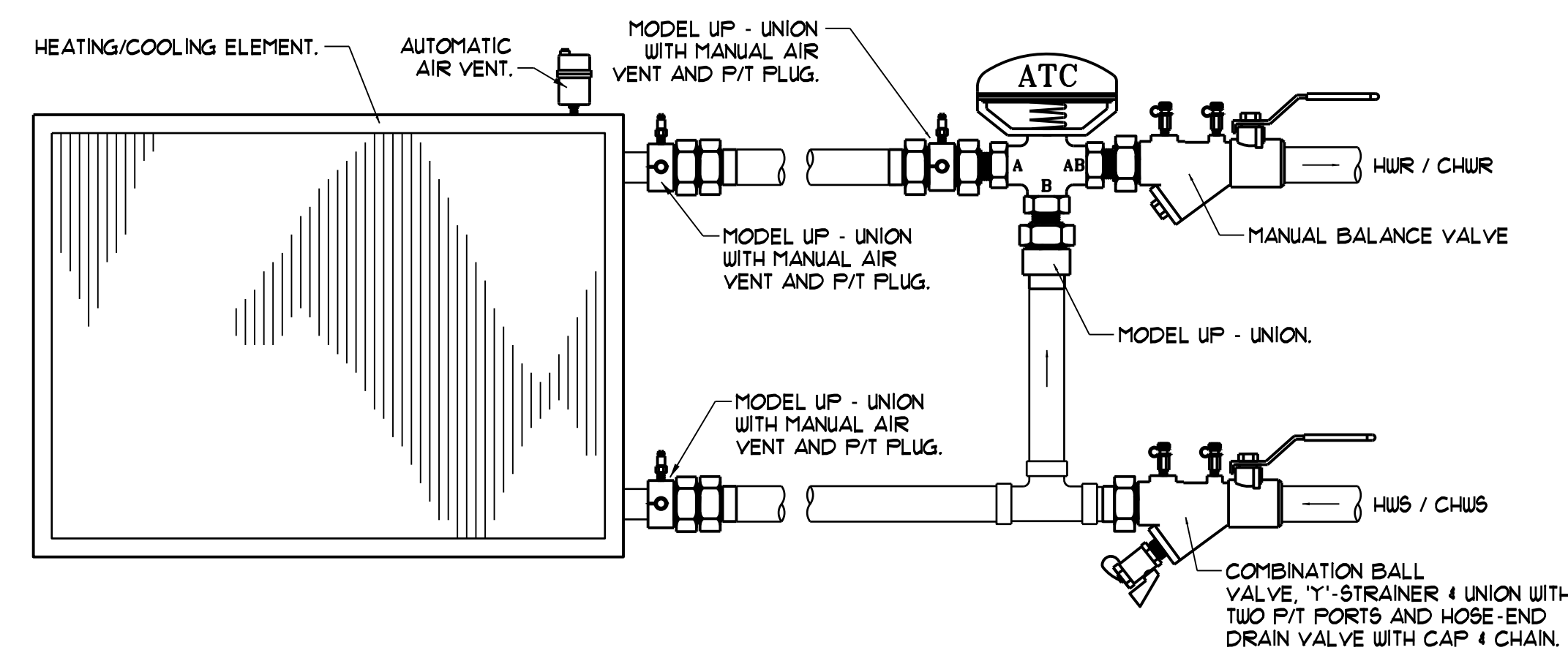
NOTE APPLIANCES WITH REGULATORS LOCATE PIPING SHOWN HEREIN UPSTREAM OF THE APPLIANCE REGULATOR. PROVIDE A TEST PLUG DOWNSREAM OF THE APPLIANCE REGULATOR.



**DOWNFEED GAS PIPING CONNECTION DETAIL**

NTS

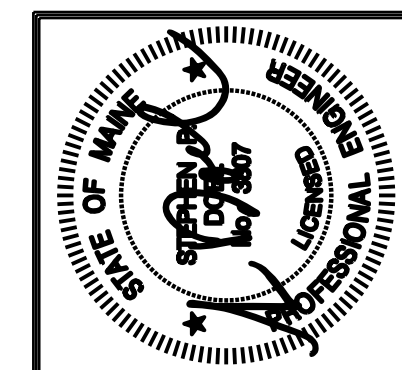
NOTE APPLIANCES WITH REGULATORS LOCATE PIPING SHOWN HEREIN UPSTREAM OF THE APPLIANCE REGULATOR. PROVIDE A TEST PLUG DOWNSREAM OF THE APPLIANCE REGULATOR.



**AUTOFLOW VALVE PIPING SCHEMATIC W/ 3-WAY VALVE**

NTS

NOTE - MODEL NUMBERS BASED ON FLOW DESIGN INC. FOR PIPE SIZES 2" AND SMALLER.  
NOTE - DETAIL APPLIES TO THE LAST HTG ZONES ON EACH BRANCH (END OF MAINS).



Prepared For:  
**AVESTA BUTLER  
PAYSON PL.**

307 CUMBERLAND AVE  
PORTLAND, ME. 04101



Consulting Engineer:  
**BENNETT  
ENGINEERING**  
MECHANICAL, ELECTRICAL  
0071869495



Project:  
**CARLETON STREET  
SENIOR HOUSING**

17 CARLETON ST.  
PORTLAND, MAINE

Revisions:

Scale: As Noted

Date: 08/08/2016

**MECHANICAL DETAILS**

**M3.05**