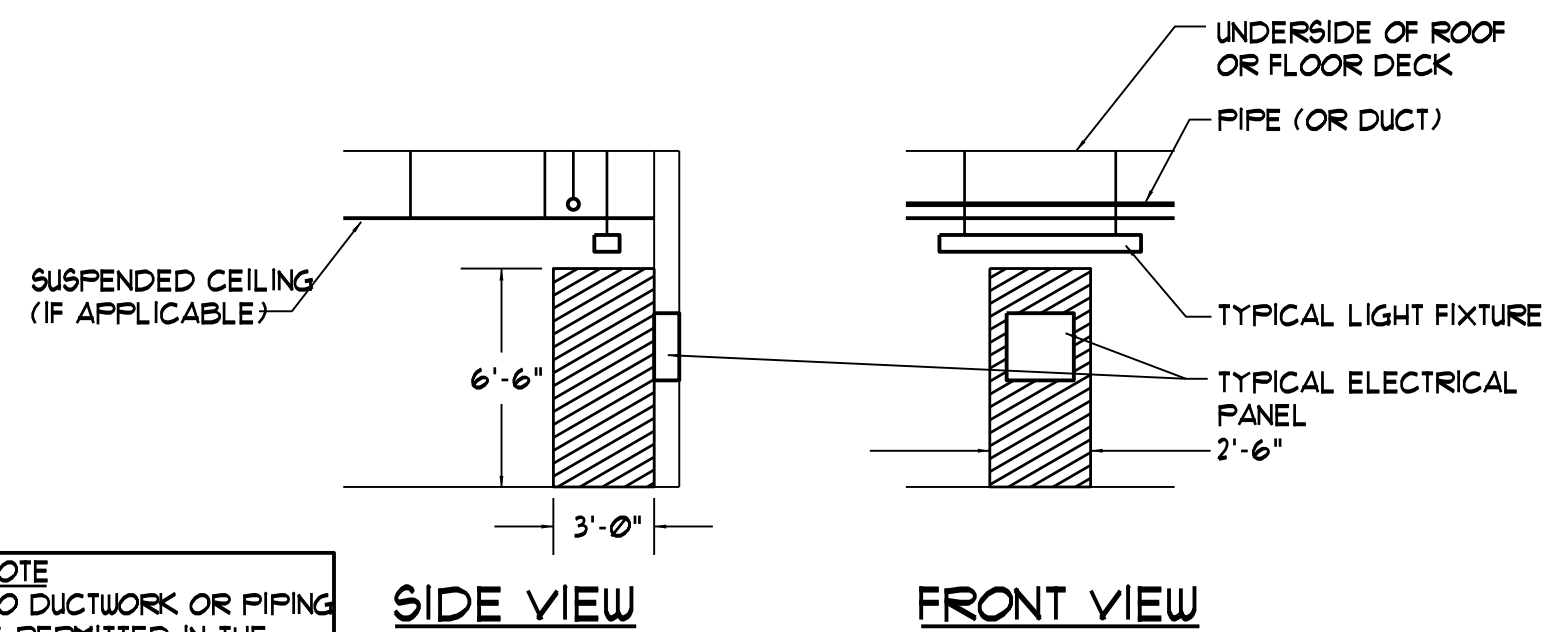


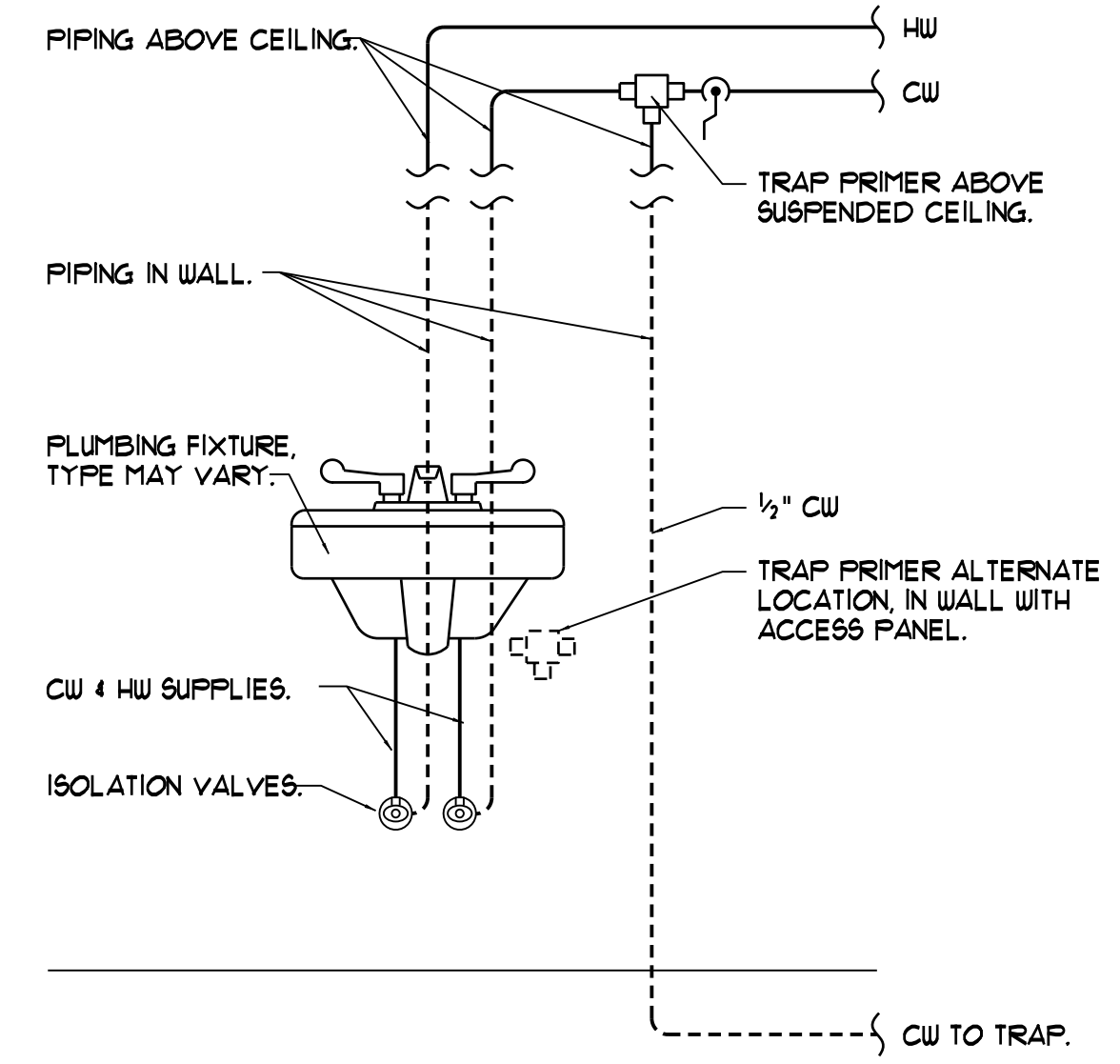
**ISLAND VENTING DETAIL**

NTS



**CLEARANCES AT ELECTRICAL PANELS**

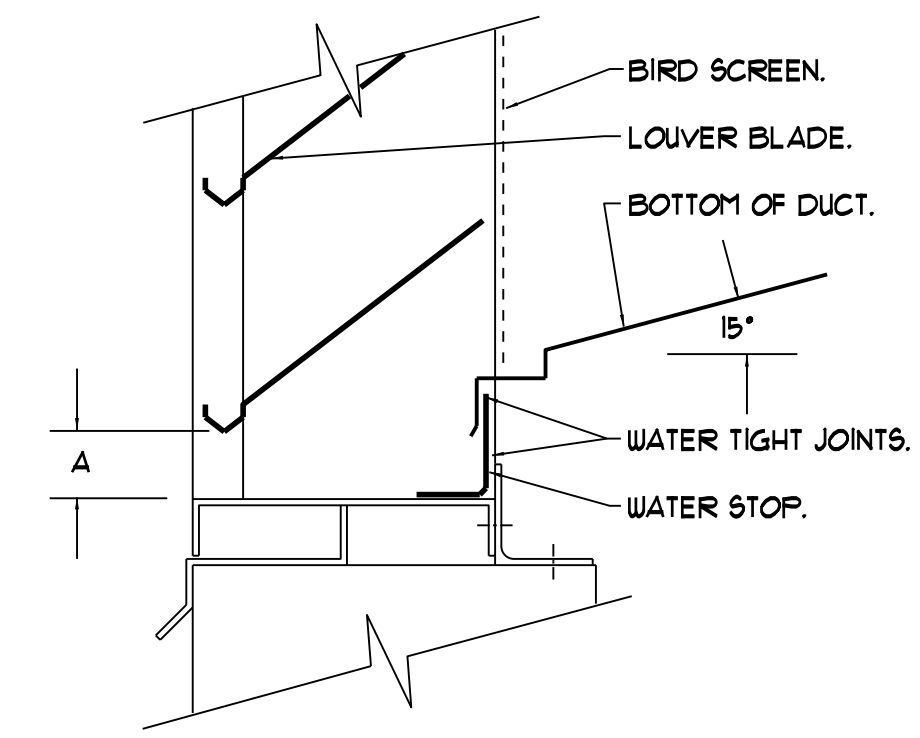
NTS



**TRAP PRIMER CONNECTION DETAIL**

NTS

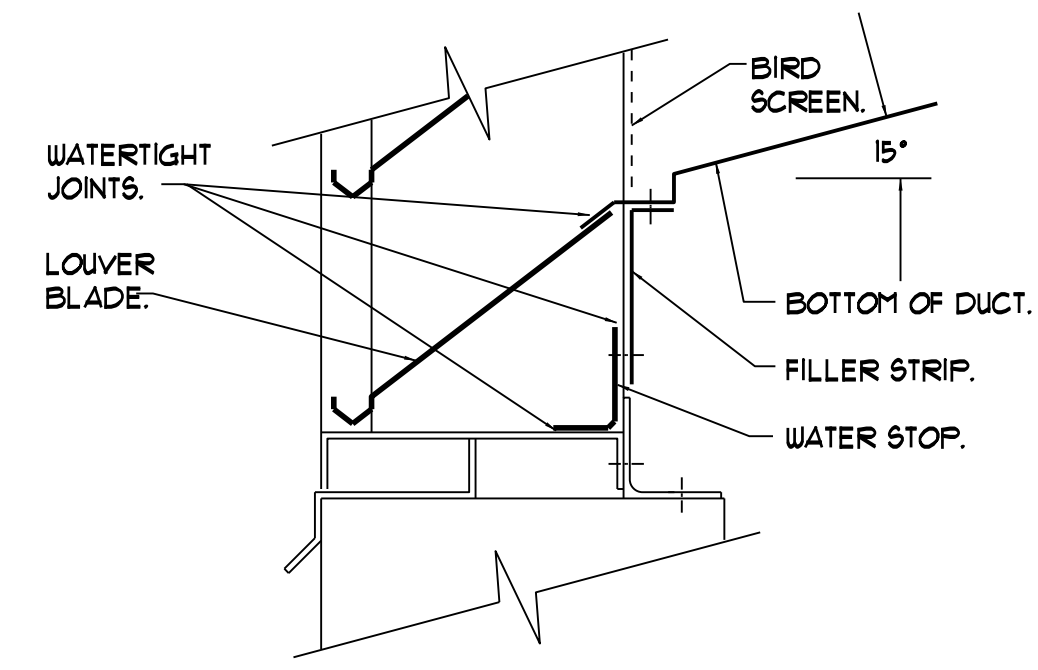
NOTE - ALL FLOOR DRAINS SHALL HAVE TRAP PRIMERS, CONNECT TO NEAREST FIXTURE.



**LOUVER CONNECTION DETAIL**

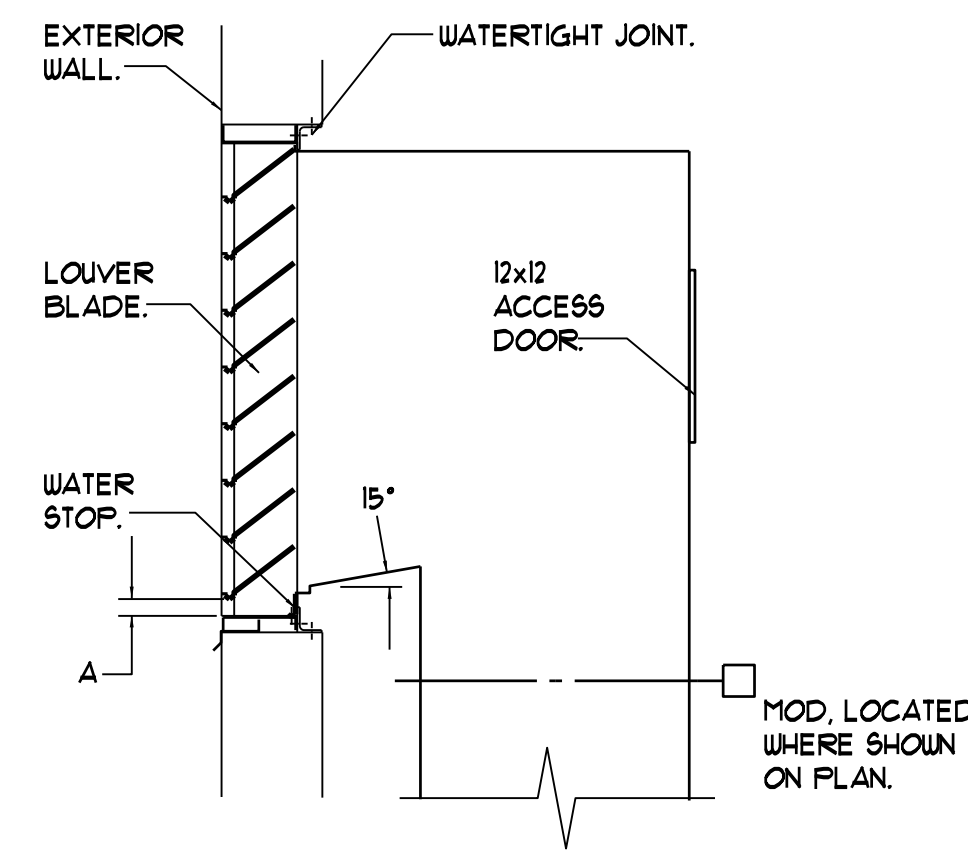
NTS

NOTE: TYPICAL FOR LOUVERS AND BLOCK VENTS. IF DIMENSION "A" IS LESS THAN 1 INCH SEE MODIFIED LOUVER DETAIL AT RIGHT (LOUVERS ONLY).



**MODIFIED LOUVER DETAIL**

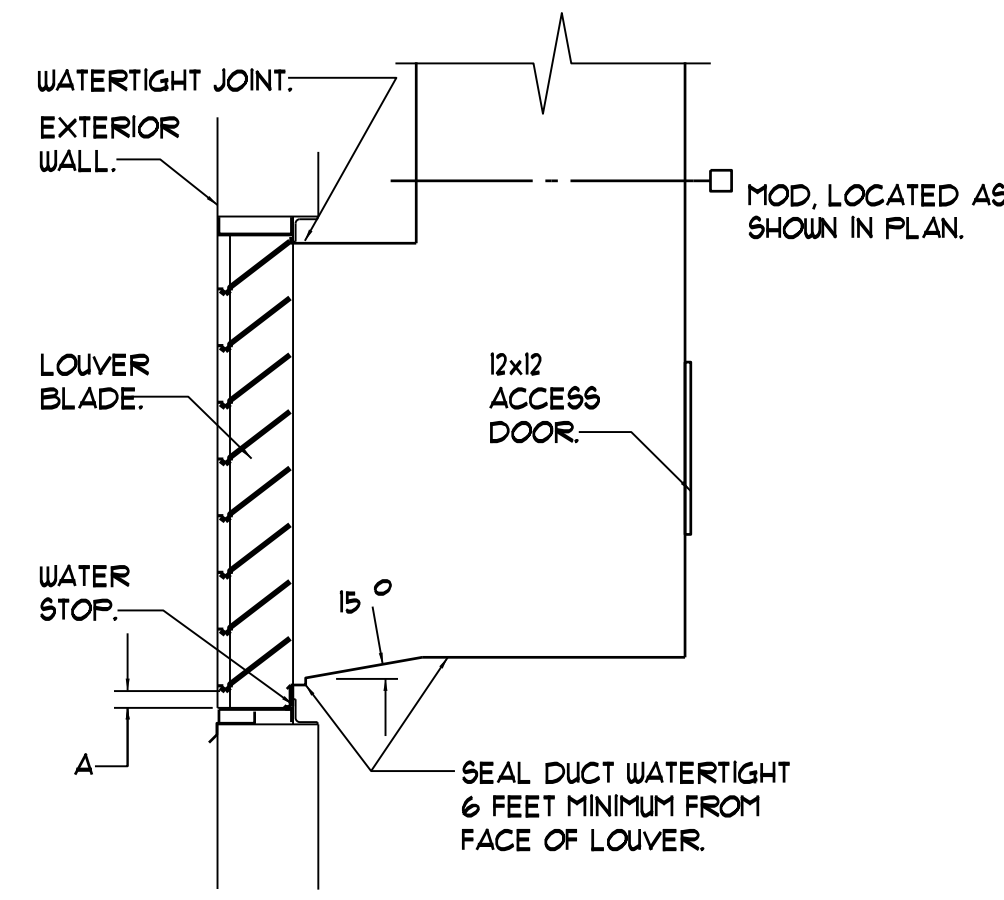
NTS



**LOUVER DETAIL WITH DUCT FROM BELOW**

NTS

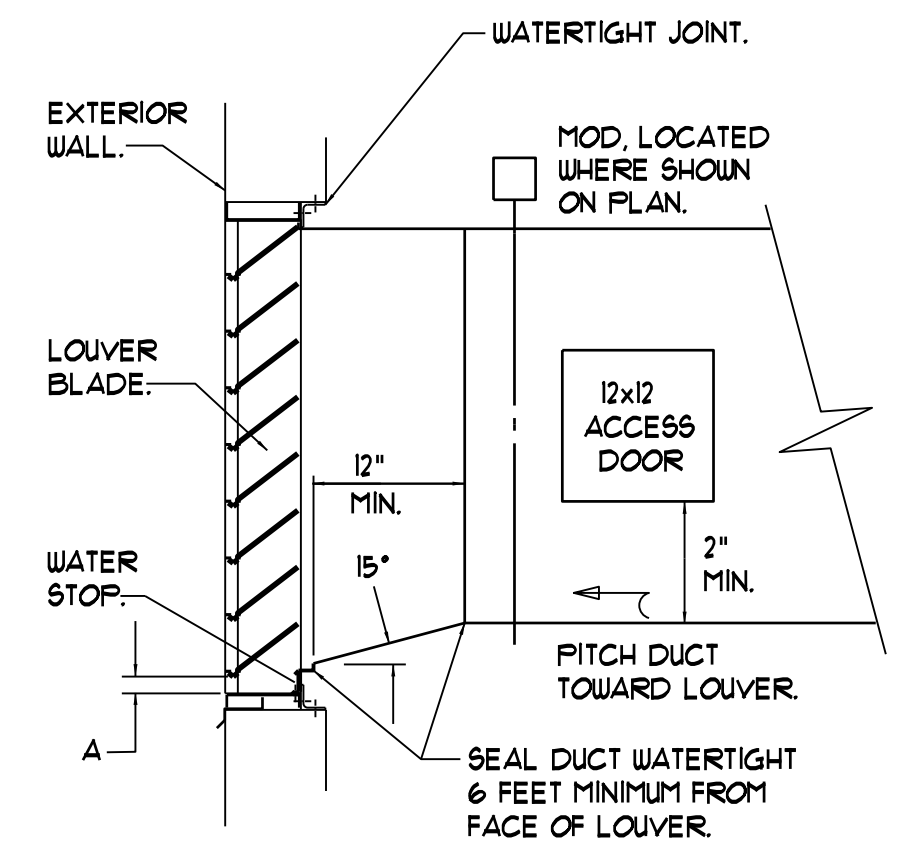
NOTE: IF DIMENSION "A" IS LESS THAN 1 INCH SEE MODIFIED LOUVER DETAIL THIS SHEET.



**LOUVER DETAIL WITH DUCT FROM ABOVE**

NTS

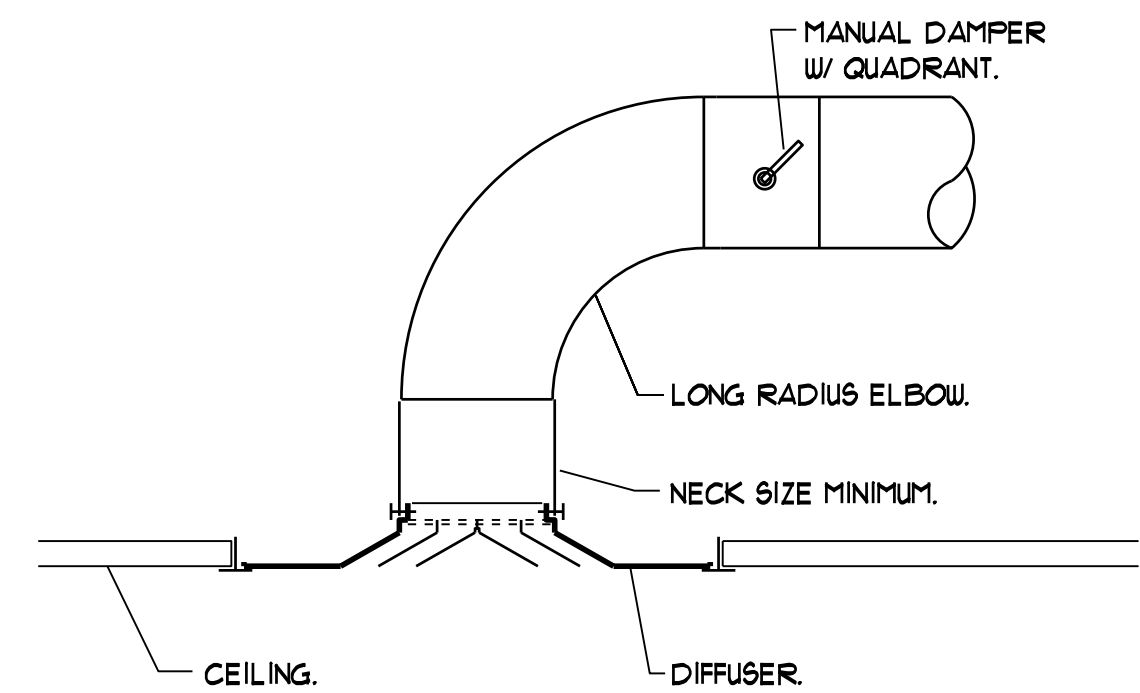
NOTE: IF DIMENSION "A" IS LESS THAN 1 INCH SEE MODIFIED LOUVER DETAIL THIS SHEET.



**LOUVER DETAIL WITH HORIZONTAL DUCT**

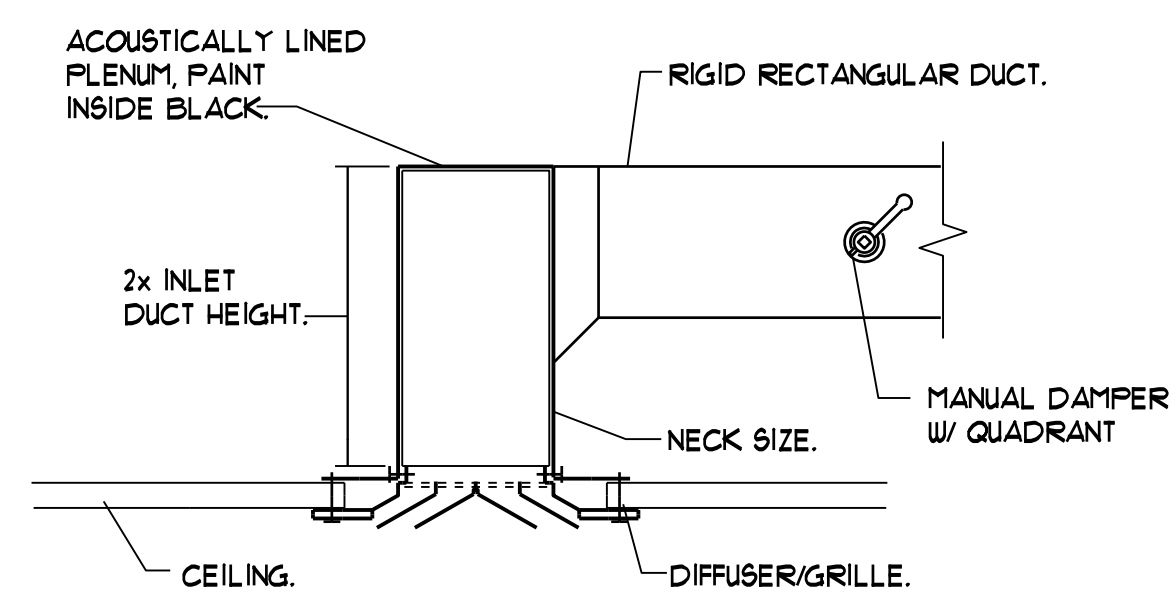
NTS

NOTE: IF DIMENSION "A" IS LESS THAN 1 INCH SEE MODIFIED LOUVER DETAIL THIS SHEET.



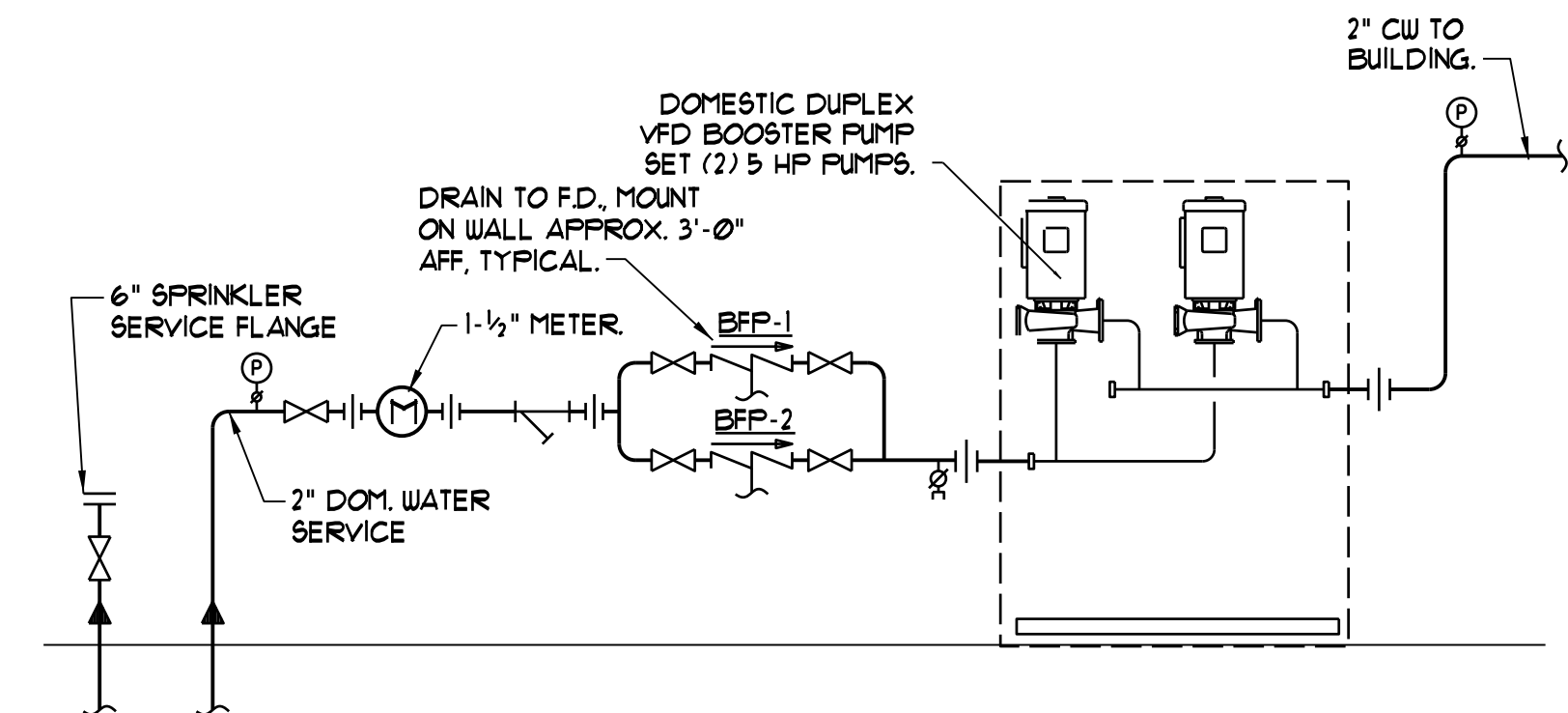
**DIFFUSER/GRILLE CONNECTION DETAIL**

NTS



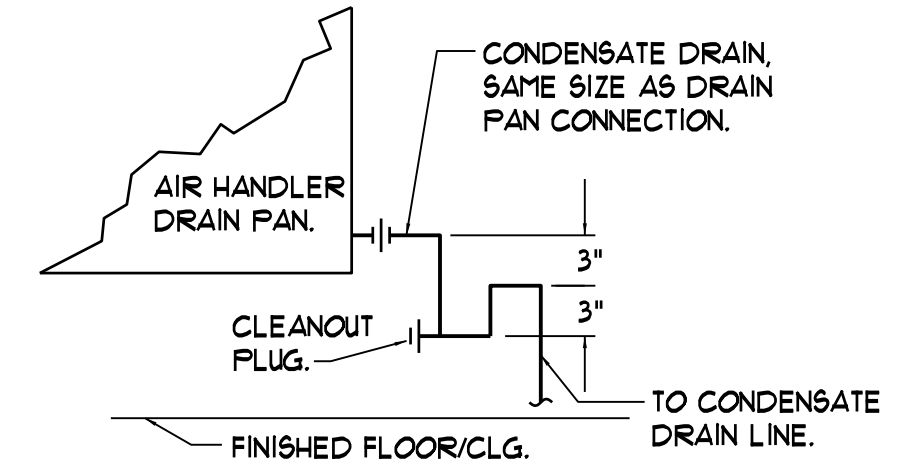
**DIFFUSER/GRILLE CONNECTION DETAIL**

NTS



**WATER ENTRANCE DETAIL**

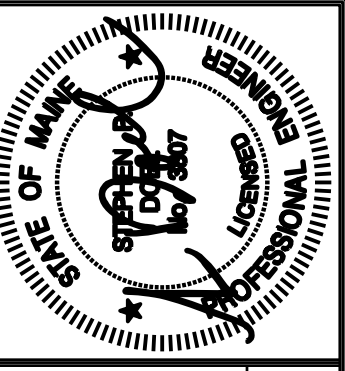
NTS



**CONDENSATE TRAP DETAIL**

NTS

NOTE - CAP UNUSED DRAIN PAN CONNECTIONS.



Prepared For:  
**AVESTA BUTLER  
PAYSON PL.**  
307 CUMBERLAND AVE  
PORTLAND, ME. 04101



Consulting Engineer:  
**BENNETT  
ENGINEERING**  
MECHANICAL/ELECTRICAL  
0071869495

Architect:  
**ARCHETYPE  
architects**  
48 Union Wharf, Portland, Maine 04101  
(207) 772-6022 Fax (207) 772-4056

Project:  
**CARLETON STREET  
SENIOR HOUSING**  
17 CARLETON ST.  
PORTLAND, MAINE

|            |            |
|------------|------------|
| Revisions: |            |
| Date:      | 08/08/2016 |
| Scale:     | As Noted   |

**MECHANICAL DETAILS**

**M3.04**