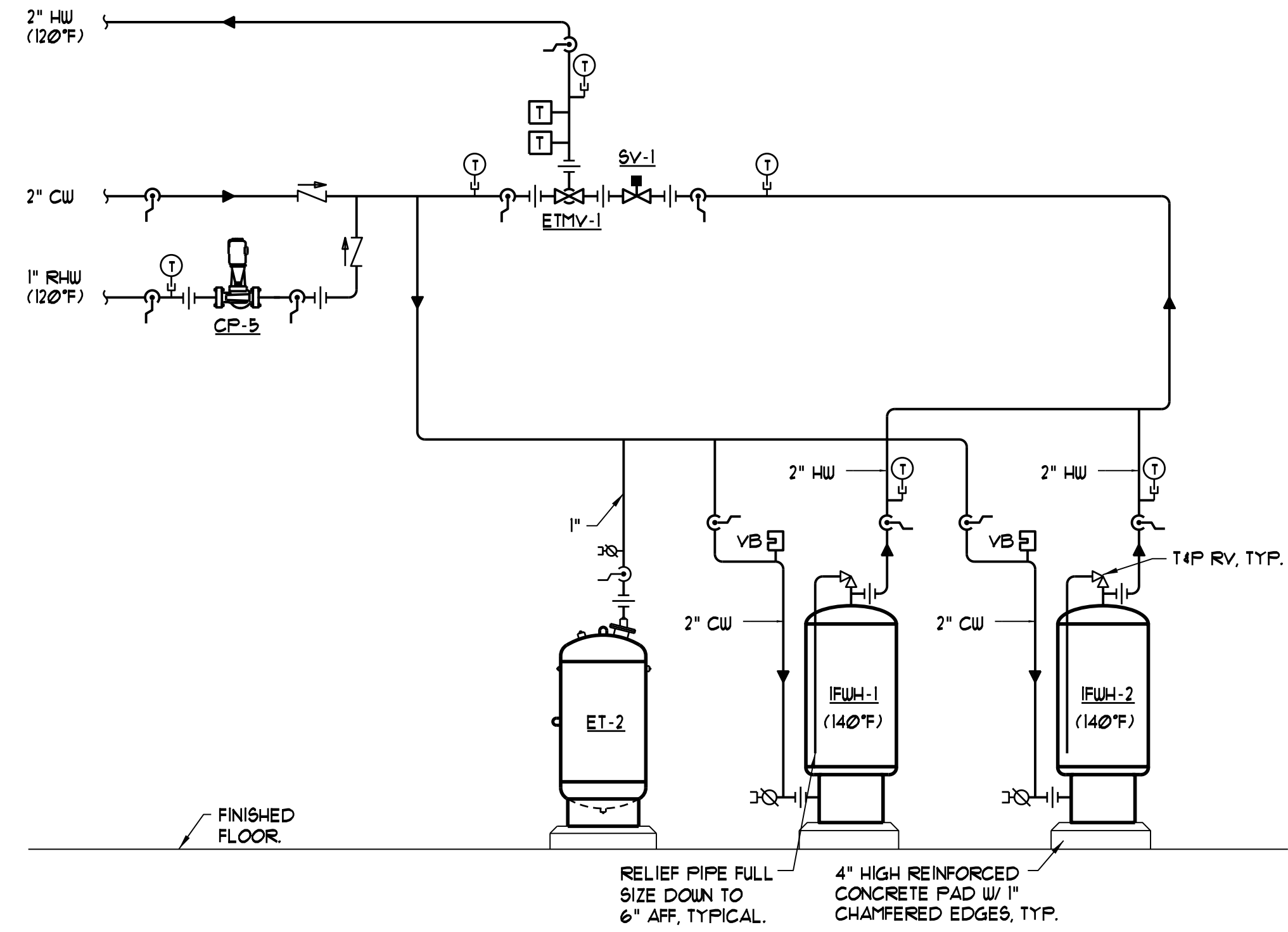


COMBINATION FIRE & SMOKE DAMPER INSTALLATION DETAIL

NTS

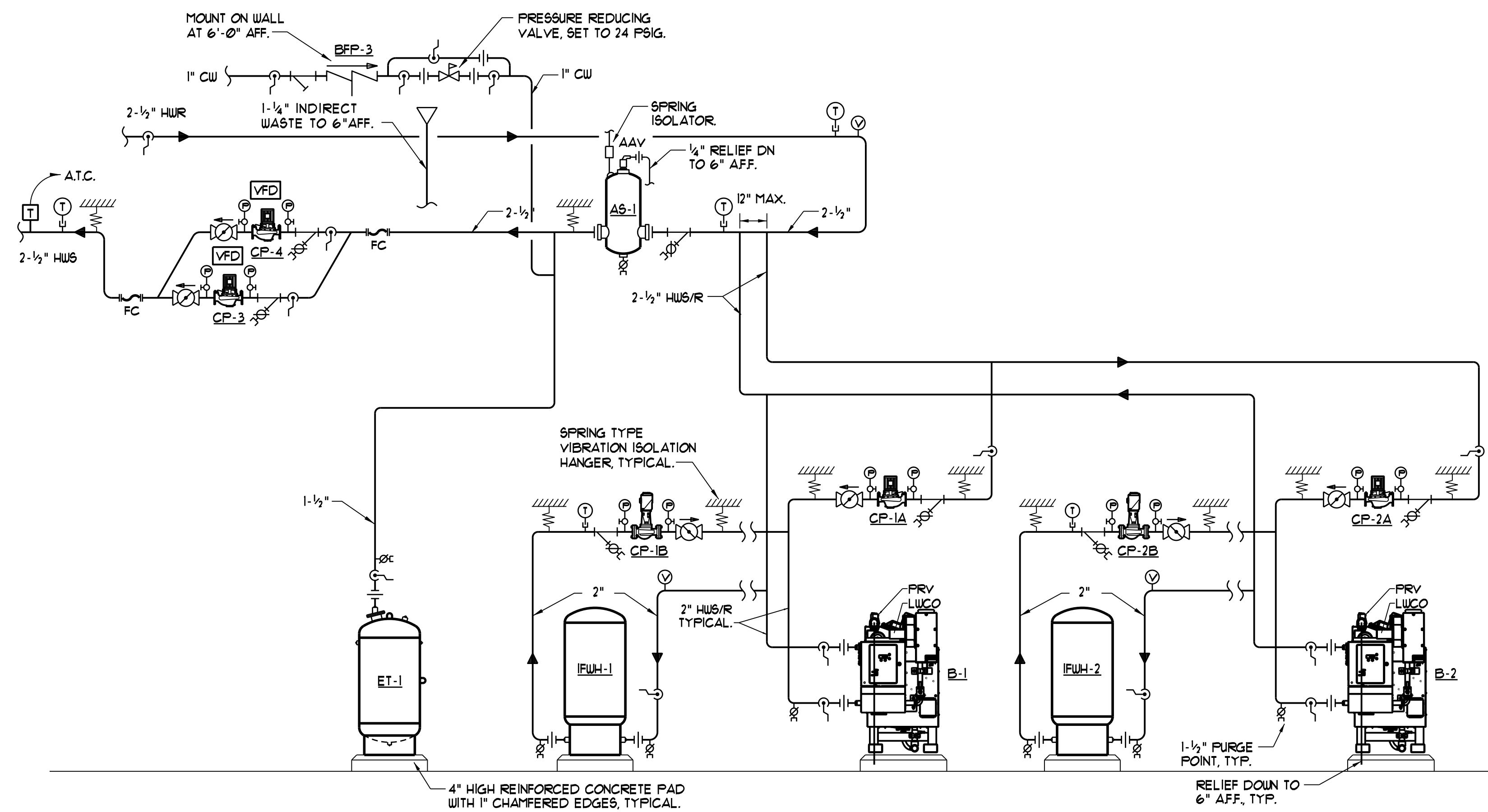
NOTE - TYPICAL AT ALL PENETRATIONS OF FIRE RATED FLOOR/CEILING ASSEMBLIES.
NOTE - FIRE RATED WALL PENETRATIONS THAT REQUIRE FD/SD SHALL BE SIMILAR.

- | ITEM | DESCRIPTION |
|------|--|
| 1. | ACTUATOR (LOCATION MAY VARY). |
| 2. | POSITION INDICATOR. |
| 3. | AUXILIARY OPERATING JACK SHAFT. |
| 4. | AIRFOIL DAMPER. |
| 5. | OVER CENTER LOCK. |
| 6. | SLEEVE, MUST BE CONTINUOUS THRU RATED ASSEMBLY. SEE MANUFACTURERS INSTALLATION SUPPLEMENT FOR FIELD EXTENSIONS AND BRANCH DUCT PENETRATIONS. |
| 7. | CAULKING MATERIAL. |
| 8. | (MAY BE ON EITHER SIDE OF DAMPER FRAME). |
| 9. | 20GA MIN. MOUNTING ANGLES ALL SIDES. |
| 10. | DUCT MATE FLANGE, SLEEVE TO DUCT. |
| 11. | TOP OF FACTORY SLEEVE. |
| 12. | SLEEVE SHALL EXTEND MINIMUM 2" BELOW MOUNTING ANGLE. |



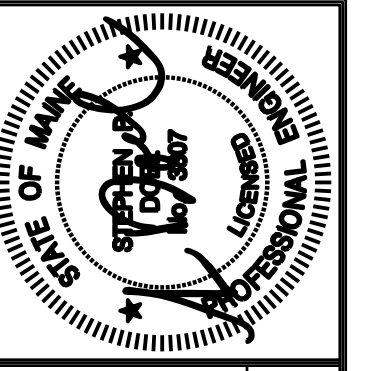
DOMESTIC HOT WATER PIPING SCHEMATIC

NTS



BOILER PIPING SCHEMATIC

NTS

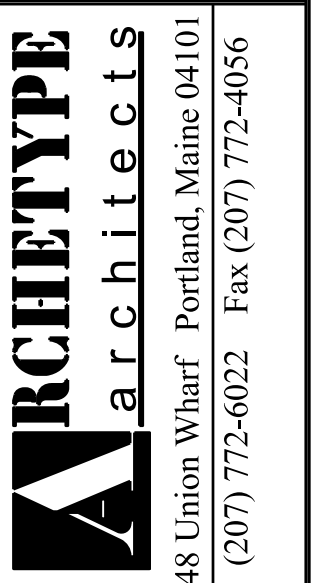


Prepared For:
**AVESTA BUTLER
PAYSON PL.**

307 CUMBERLAND AVE
PORTLAND, ME. 04101



Consulting Engineer:



Architect:

**CARLETON STREET
SENIOR HOUSING**

17 CARLETON ST.
PORTLAND, MAINE

Project:

Revisions:

Date: 08/08/2016
Scale: As Noted

MECHANICAL DETAILS

M3.03