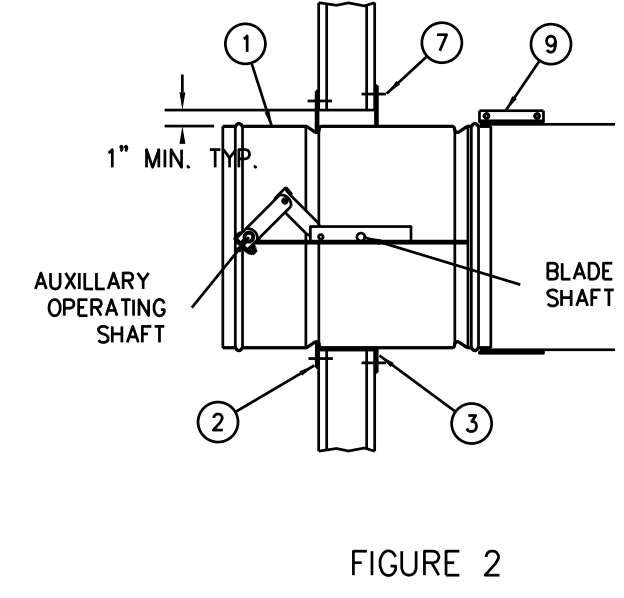
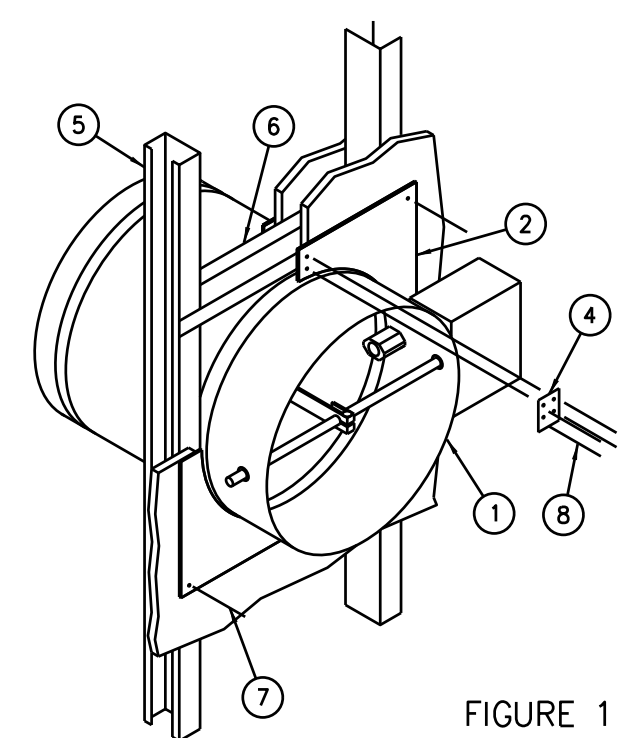
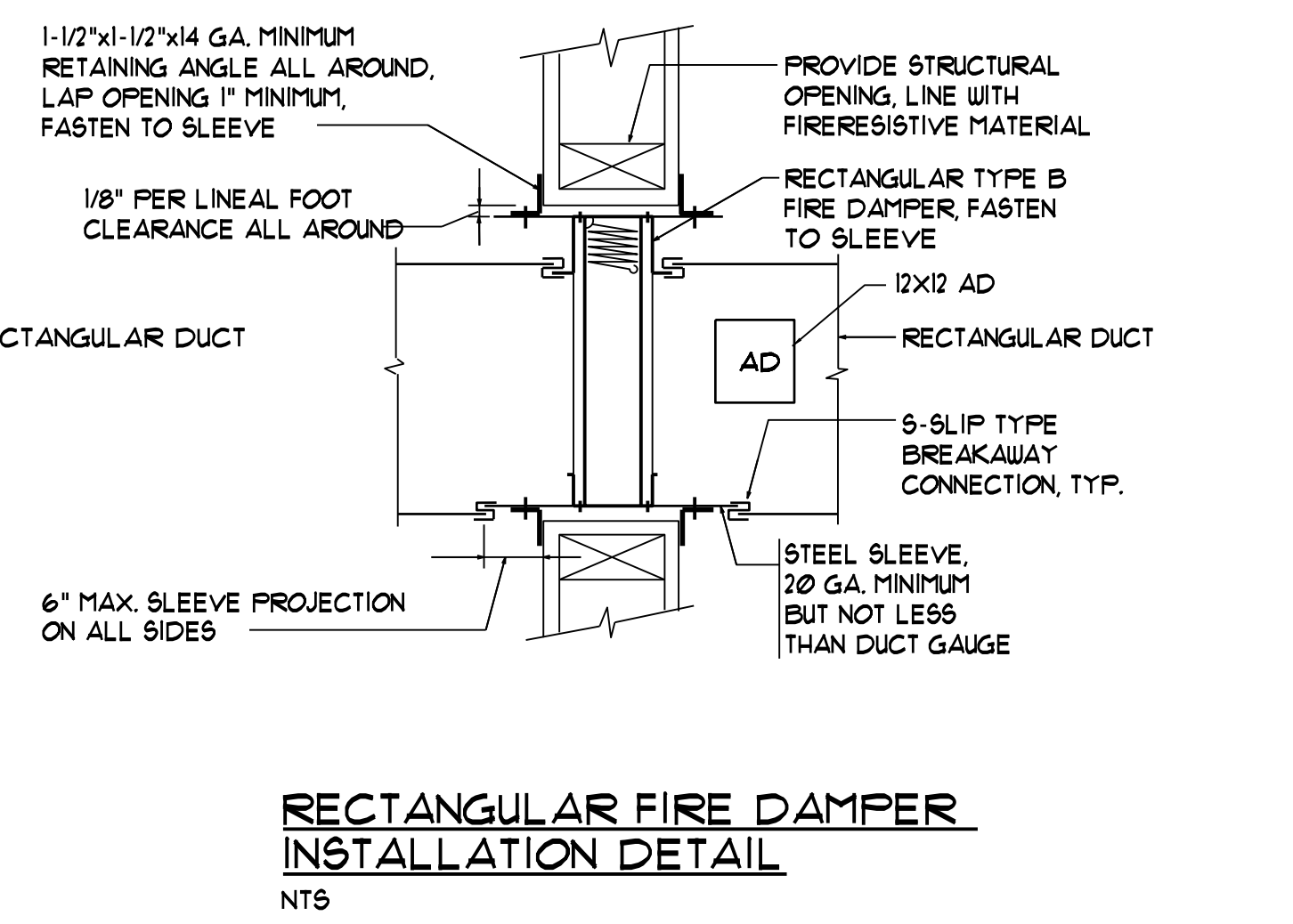
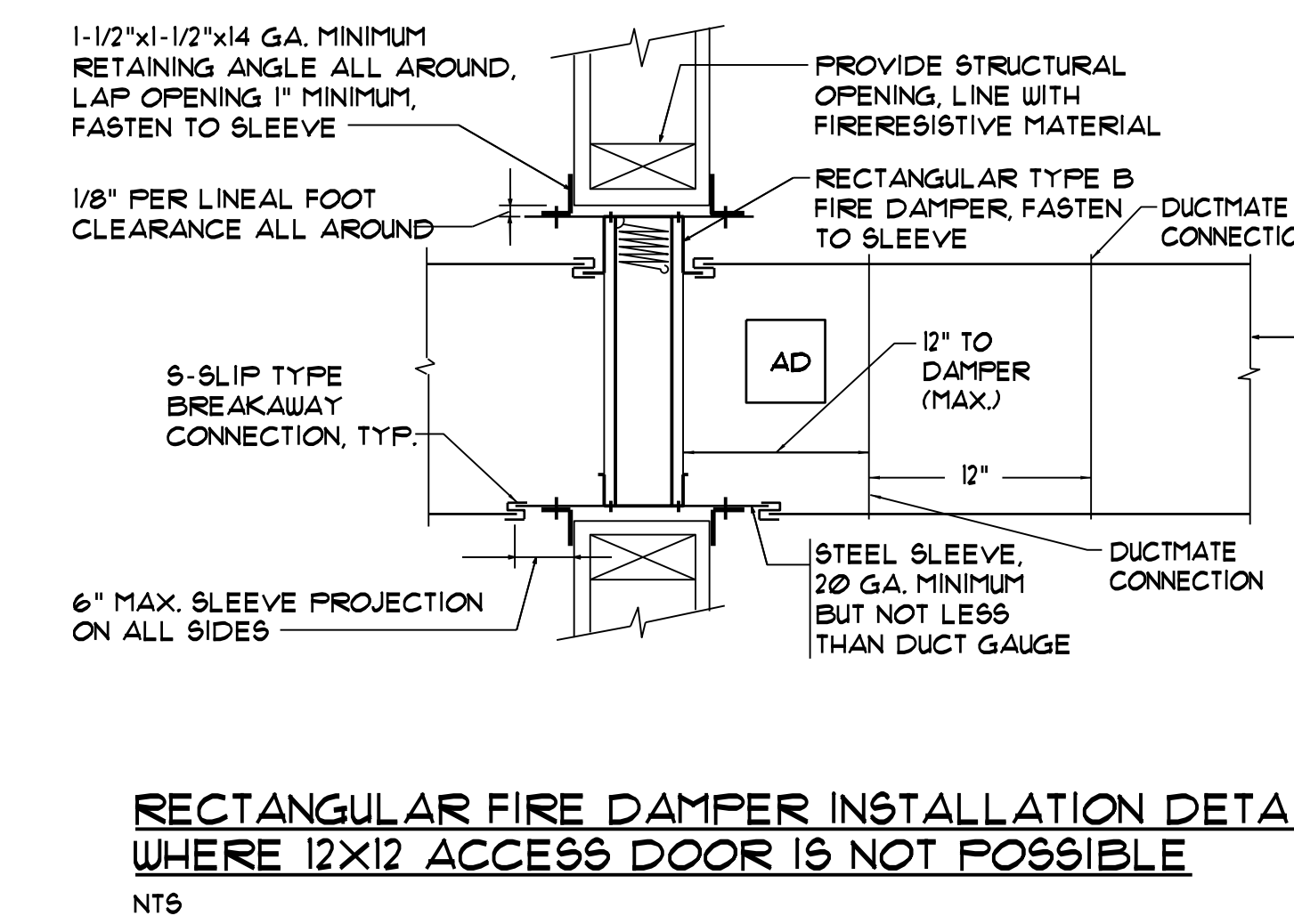
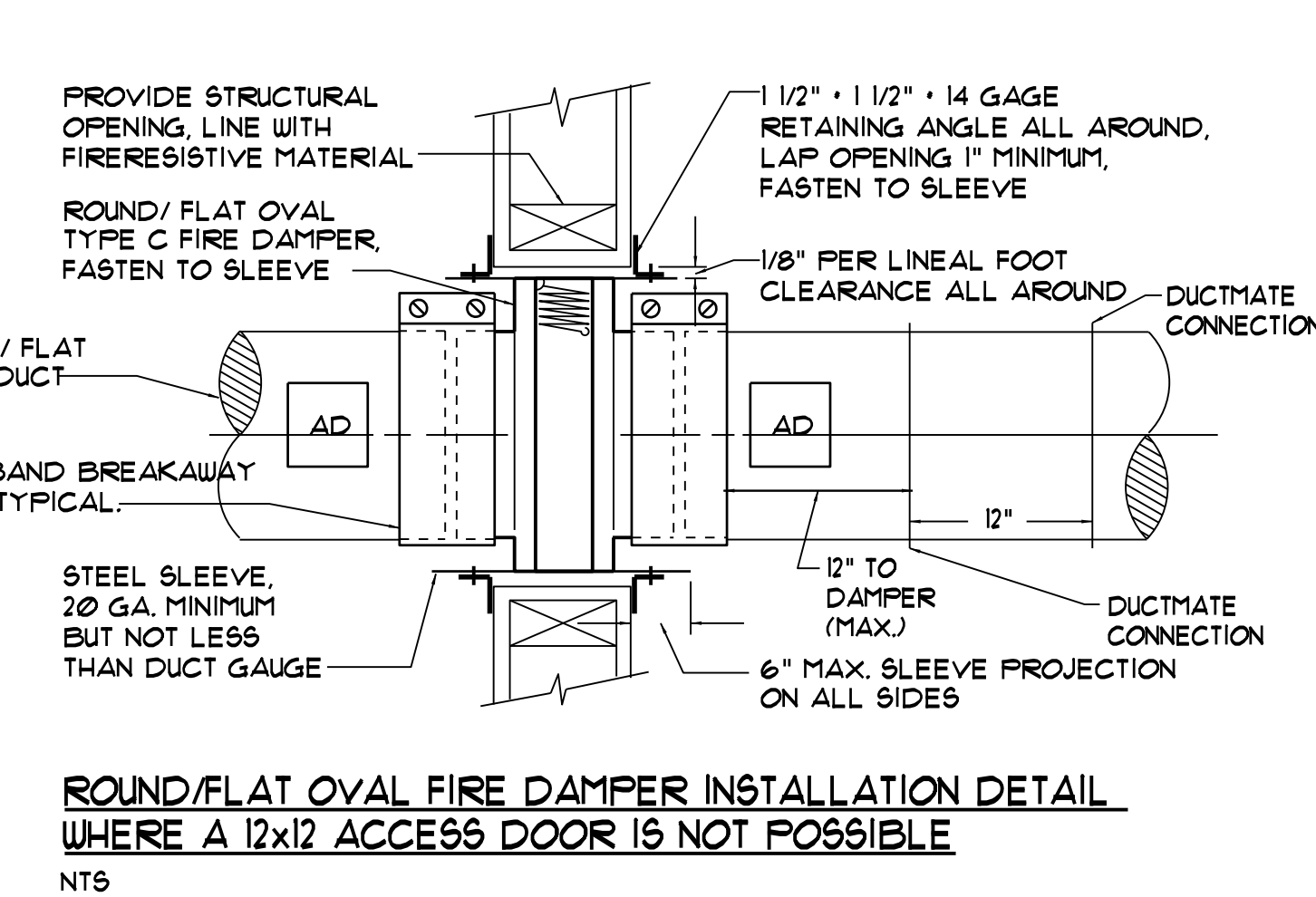
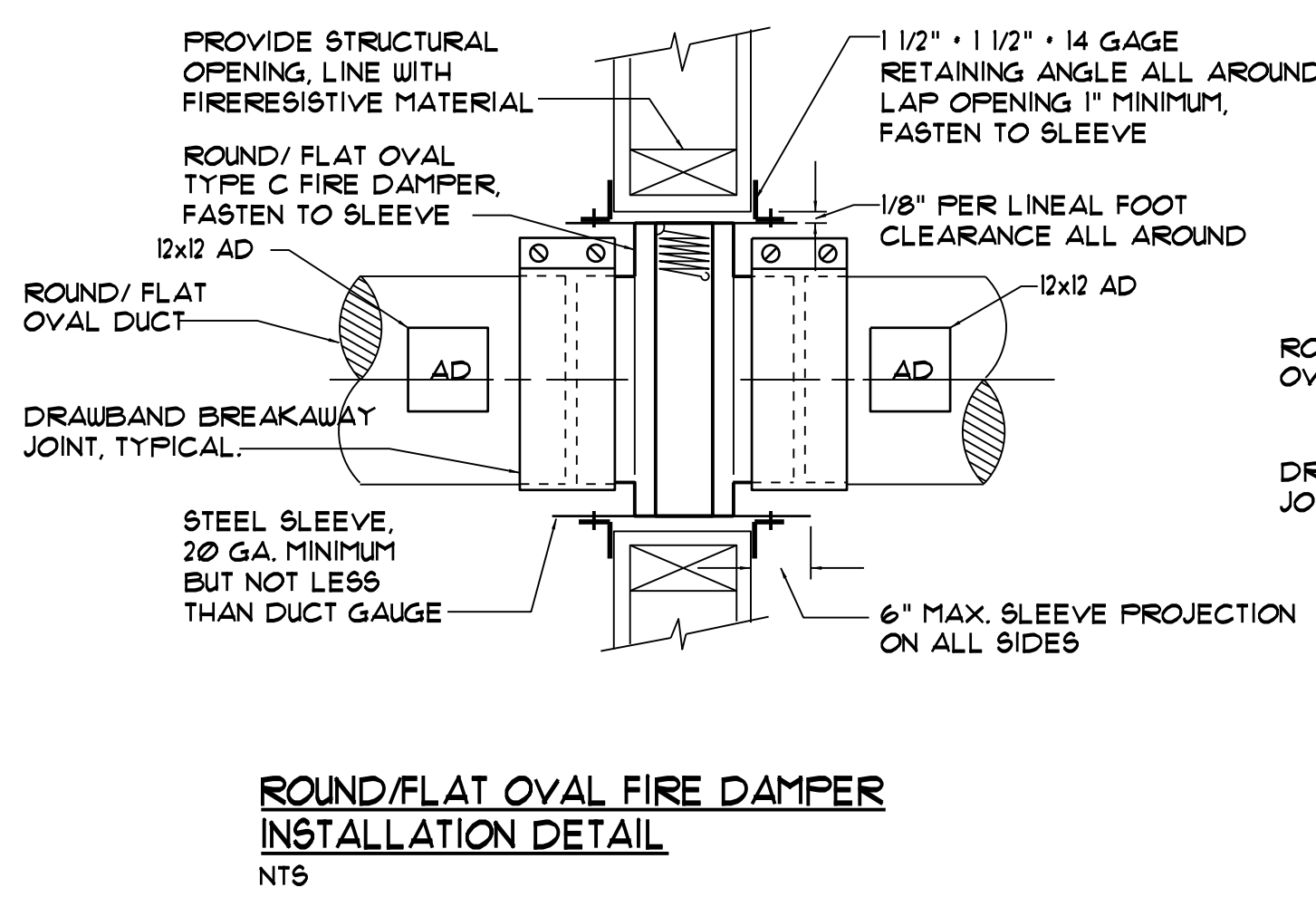
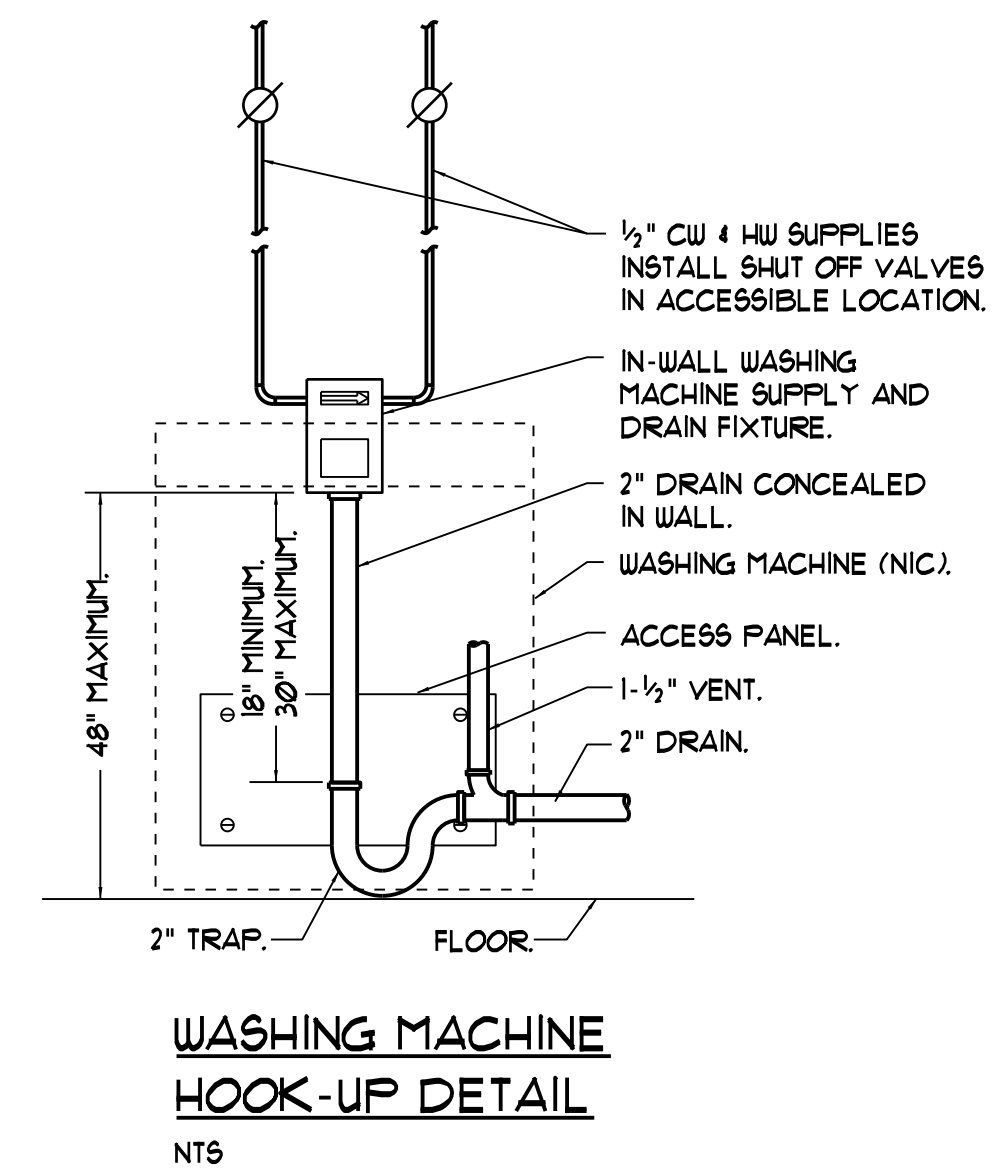


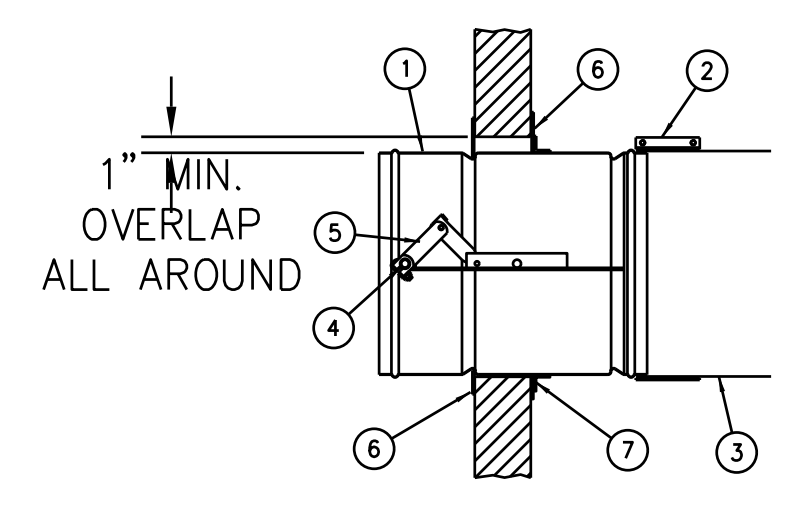
MAKE-UP AIR HANDLER PERFORMANCE SCHEDULE														BASIS OF DESIGN - GREENHECK											
TAG	AIRFLOW (CFM)	MIN.OA (CFM)	FAN	E.S.P (IN.WG)	T.S.P (IN.WG)	FUEL	RPM	HEATING			COOLING			ELECTRICAL REQUIREMENTS				WEIGHT POUNDS	SERVICE	MODEL					
								E.D.B. (°F)	L.D.B. (°F)	INPUT	OUTPUT	E.D.B./E.W.B (°F)	L.D.B./L.W.B (°F)	TOTAL COOLING	SENSIBLE COOLING	HP	BHP				VFD	MCA	LRA	MOCF	VOLTAGE
HVAC-1	1000	1000	SUPPLY	0.5	0.85	NAT GAS	1149	-10.0	12.3	2000	1600	80.0/13.0	60.0/58.1	92.2	52.1	3/4	0.60	FAN	411	-	60.0	200/3/60	2300	OA	RV-35-15

HEAT PUMP AIR HANDLER PERFORMANCE SCHEDULE														BASIS OF DESIGN - MITSUBISHI			
TAG	TOTAL COOLING (MBH)	SENS. COOLING (MBH)	TOTAL HEATING (MBH)	AIRFLOW (CFM)	COND. DRAIN (IN)	SOUND RATING (DB)	WEIGHT (LBS)	REFRIGERANT PIPE SIZE (IN)		ELECTRICAL REQUIREMENTS		BASIS OF DESIGN - MITSUBISHI					
								LIQUID	GAS	MCA	MAX FUSE	V/PH/Hz	SERVICE	ARRANGEMENT	MODEL		
SAC-1	120	-	-	364	5/8"	45	22	1/4"	3/8"	10	-	SCU-1	MECHANICAL RM	WALL MTD	MSY-GE12NA		
SAC-2	180	-	-	498	5/8"	44	22	1/4"	1/2"	10	-	SCU-2	COMMUNITY RM	WALL MTD	MSY-GE12NA		
SAC-3	90	-	-	364	5/8"	45	22	1/4"	3/8"	10	-	SCU-3	OFFICE	WALL MTD	MSY-GE09NA		
SAC-4	120	-	-	364	5/8"	45	22	1/4"	3/8"	10	-	SCU-4	LAUNDRY	WALL MTD	MSY-GE12NA		

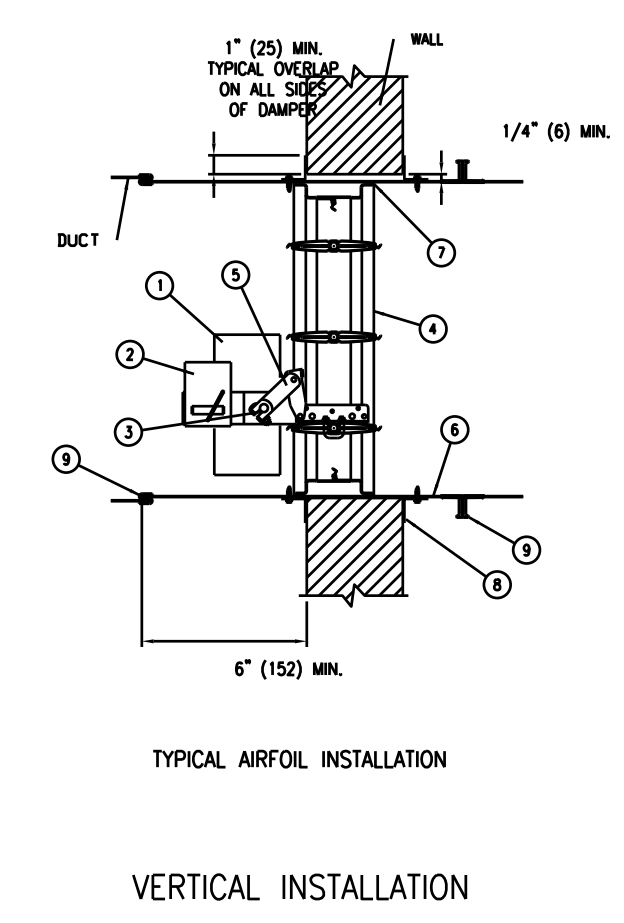
HEAT PUMP CONDENSING UNIT PERFORMANCE SCHEDULE														BASIS OF DESIGN - MITSUBISHI			
TAG	TOTAL COOLING (MBH)	TOTAL HEATING (MBH)	REFRIGERANT	APPROX. REFRIG. CHARGE	MINIMUM AMBIENT TEMP (°F)	FOOTPRINT DIMENSION (INCHES)	OPERATING WEIGHT (LBS)	ELECTRICAL REQUIREMENTS			BASIS OF DESIGN - MITSUBISHI						
								MCA	MAX FUSE	V/PH/Hz	COMP. STAGING	SOUND (BEL)	SERVICE	MODEL			
SCU-1	120	-	R-410A	-	14°F	32x12x22	11	12	15	230/1/60	32%-100%	-	MECHANICAL RM	MUY-GE12NA			
SCU-2	180	-	R-410A	-	-4°F	33x13x33	119	14	15	230/1/60	51%-100%	-	COMMUNITY RM	MUY-GE12NA			
SCU-3	90	-	R-410A	-	14°F	31x12x22	66	12	15	230/1/60	42%-100%	-	OFFICE	MUY-GE09NA			
SCU-4	120	-	R-410A	-	14°F	32x12x22	11	12	15	230/1/60	32%-100%	-	LAUNDRY	MUY-GE12NA			



- ITEM. DESCRIPTION
- FSDR25 COMBINATION FIRE AND LEAKAGE RATED DAMPER WITH OPERATOR/ACTUATOR (LOCATION MAY VARY), END SWITCH
  - RETAINING PLATE, 20 GA STEEL
  - DAMPER PLATE, 20 GA PLATE
  - SPLICE PLATE, 20 GA STEEL, TYP BOTH PLATES
  - STEEL STUD, 25 GA MIN, 2 1/2" WIDE MIN
  - STEEL RUNNER, 25 GA MIN, 2 1/2" WIDE MIN
  - #10 SHEET METAL SCREW
  - 1/8" DIA STEEL POP RIVET, OR #10 X 1/2" SHEET METAL SCREW, OR 1/2" LONG WELDS
  - 4" DRAW BAND



- ITEM. DESCRIPTION
- FSDR25 COMBINATION FIRE AND LEAKAGE RATED DAMPER WITH OPERATOR/ACTUATOR (LOCATION MAY VARY), END SWITCH
  - 4" DRAW BAND
  - DUCT
  - AUXILIARY OPERATING JACKSHAFT
  - OVER CENTER LOCK
  - DAMPER AND RETAINING PLATES (SEE NOTE 5)
  - RETAINING CLIP 1" X 1" X 1" 16 GA ANGLE (SEE NOTE 5)



- ITEM. DESCRIPTION
- ACTUATOR (LOCATION MAY VARY) WITH END SWITCH
  - END SWITCH ON DAMPER ACTUATOR
  - AUXILIARY OPERATING JACK SHAFT
  - DAMPER
  - OVER CENTER LOCK
  - SLEEVE
  - CAULKING MATERIAL (MAY BE ON EITHER SIDE OF DAMPER FRAME)
  - PFMA OR CONVENTIONAL MOUNTING ANGLES
  - S-JOINT/DUCT MATE, SLEEVE TO DUCT

**COMBINATION FIRE & SMOKE DAMPER INSTALLATION DETAILS**  
NTS

NOTE - TYPICAL AT ALL PENETRATIONS OF FIRE RATED FLOOR/CEILING ASSEMBLIES.  
NOTE - PROVIDE EACH WITH END SWITCH, SMOKE DETECTOR BY E.C. REFER TO SPEC.

**AVESTA BUTLER  
PAYSON PL.**  
307 CUMBERLAND AVE  
PORTLAND, ME. 04101

Prepared For:

**BENNETT  
ENGINEERING**  
MECHANICAL/ELECTRICAL  
0071869495

Consulting Engineer:

**ARCHETYPE  
architects**  
48 Union Wharf Portland, Maine 04101  
(207) 772-6022 Fax (207) 772-4056

Project:

**CARLETON STREET  
SENIOR HOUSING**  
17 CARLETON ST.  
PORTLAND, MAINE

Revisions:

Date: 08/08/2016  
Scale: As Noted

**MECHANICAL DETAILS  
AND SCHEDULES**

**M3.02**