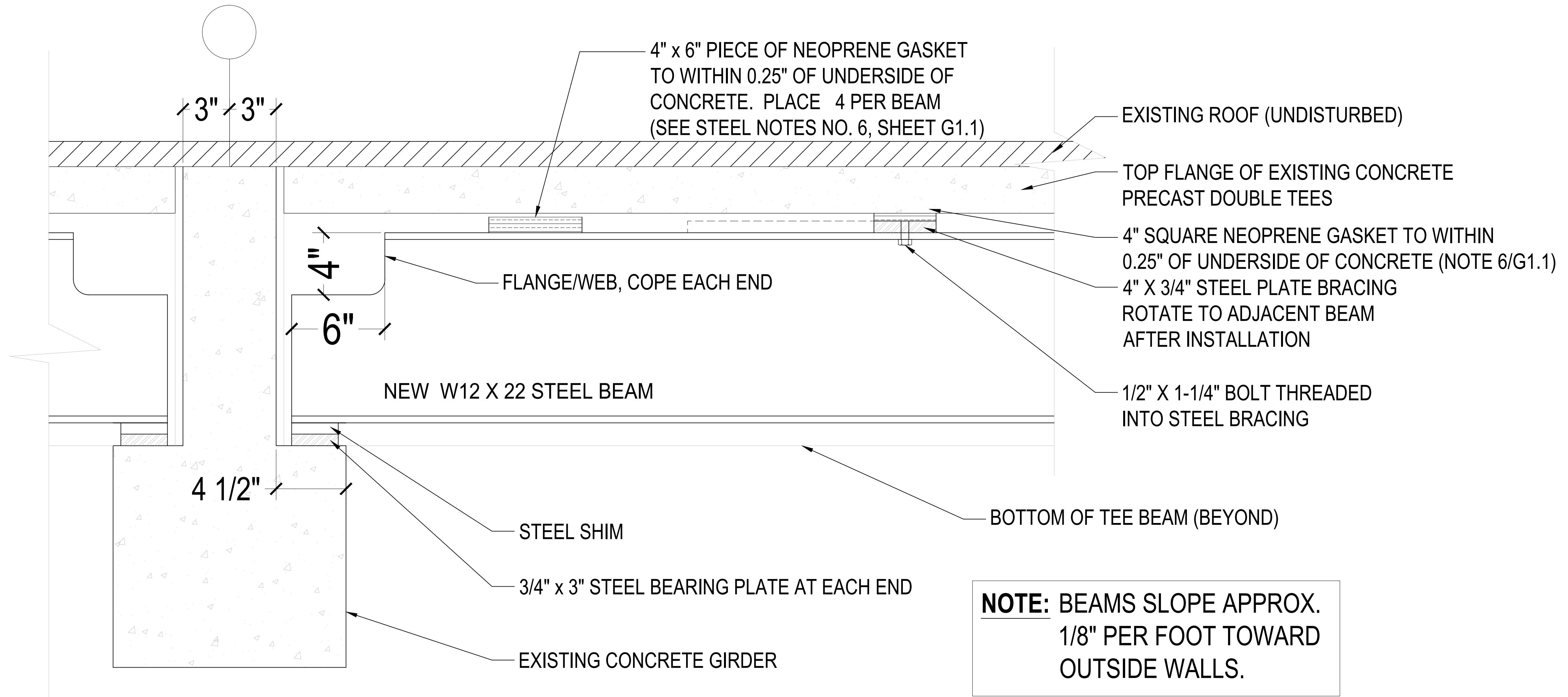


ENGINEER OF RECORD

RESURGENCE
ENGINEERING & PRESERVATION, INC.
132 BRENTWOOD STREET
PORTLAND, ME 04103
207.773.4880

**BRAMHALL FIRE STATION
ROOF STRENGTHENING
PORTLAND, MAINE**



NEOPRENE RUBBER BEARING MATERIAL SHALL BE ADHESIVE-BACKED, 40 "SHORE A "DUROMETER HARDNESS.
REFER TO GRAINGER CATALOG NO. 406, PAGE 3052 FOR THE FOLLOWING ITEM NUMBERS:
D7155 (12" X 36" X 1/4" ADHESIVE BACKED) THREE SHEETS TO PROVIDE 4X4 SHIM PIECES OVER STEEL BRACING PLATES (81 TOTAL)
D7158 (12" X 36" X 3/4" ADHESIVE BACKED) ONE SHEET TO PROVIDE 4X6 SHIM PIECES BETWEEN STEEL BRACING PLATES (16 TOTAL)

SECTIONS & DETAILS

Date: 05/27/15
Issued for:

CLIENT REVIEW

1 SECTION AT EXISTING CONCRETE GIRDER SHOWING NEW STEEL GIRDER
SCALE: 3" = 1'-0" WHEN REPRODUCED AT 34" X 22"

S1.2