

THESE DOCUMENTS ARE THE SOLE PROPERTY OF T-MOBILE AND MAY NOT BE REPRODUCED, DISSEMINATED OR REDISTRIBUTED WITHOUT THE WRITTEN CONSENT OF T-MOBILE.

CHECKED BY: JMT  
 APPROVED BY: JMT

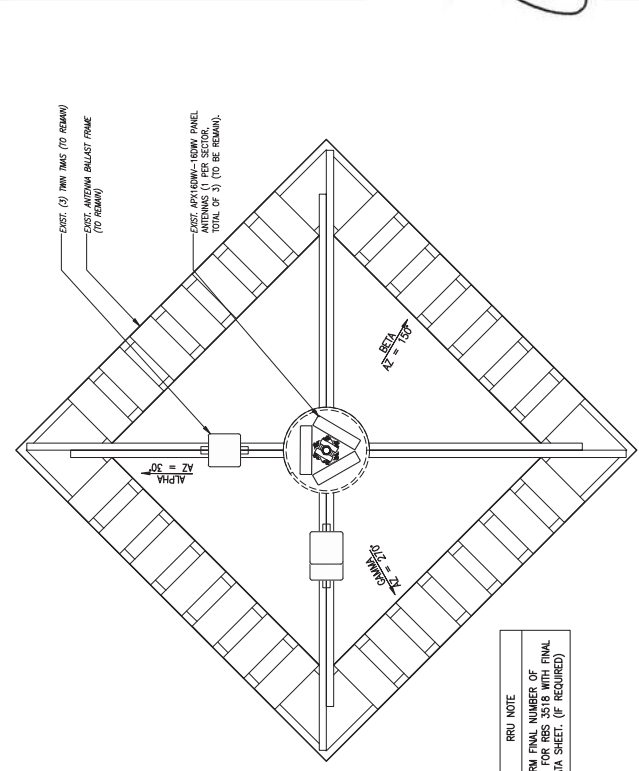
REV.	DATE	DESCRIPTION	BY
5	10/11/17	CONSTRUCTION REVISION	CJC
4	09/29/17	CONSTRUCTION REVISION	CJC
3	09/27/17	CONSTRUCTION REVISION	CJC
2	09/07/17	CONSTRUCTION FINAL	CJC
1	08/24/17	ISSUED FOR PERMIT	JMT

SITE NUMBER:  
4DN2285D  
 SITE NAME:  
ME285/HOLT HALL  
 SITE ADDRESS:  
784 CONGRESS STREET  
PORTLAND, ME 04102

SHEET TITLE  
ANTENNA PLANS & DETAILS

SHEET NUMBER  
A-4

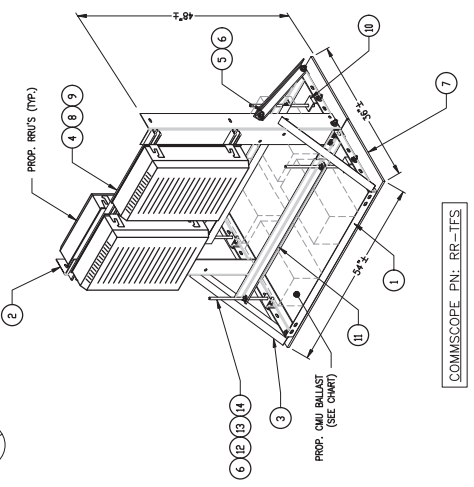
1504296



**RRU NOTE**  
 CONFIRM FINAL NUMBER OF RRUS FOR RRS 3518 WITH FINAL RF DATA SHEET. (IF REQUIRED)



**RRU NOTE**  
 CONFIRM FINAL NUMBER OF RRUS FOR RRS 3518 WITH FINAL RF DATA SHEET. (IF REQUIRED)



RRH MOUNTING DETAIL  
 SCALE: N.T.S.

**STRUCTURAL NOTE**  
 REFER TO STRUCTURAL ANALYSIS BY CHAPPELL ENGINEERING ASSOCIATES, LLC, DATED 10/11/2017 (REV 1).

**CMU BALLAST**  
 EACH RRH BALLAST FRAME  
 \* FERROL TRAYS  
 ADD (2) COMMON CMU BLOCKS  
 PER TRAY: WEIGHT = 682 LBS  
 BEAR TRAY: WEIGHT = 682 LBS  
 ADD (2) COMMON CMU BLOCKS  
 PER TRAY: WEIGHT = 682 LBS  
 TOTAL REQUIRED WEIGHT = 1404 LBS

ITEM	QTY	DESCRIPTION	UNIT	WEIGHT
1	2	WELDED BALLAST SILENT FRAME	2	224 LBS
2	4	VERTICAL ANGLE	4	1392 LBS
3	4	BRACK ANGLE	4	474 LBS
4	16	3/8" X 1/2" GALV. RILL KIT	16	1152 LBS
5	8	1/2" X 1/2" GALV. RILL KIT	8	616 LBS
6	2	1/2" GALV. FLAT WASHER	2	106 LBS
7	2	RUBBER MAT 5" X 10" X .48"	2	156 LBS
8	2	1/2" GALV. HEAT NUT	2	142 LBS
9	4	3/8" X 1/2" GALV. RILL KIT	4	317 LBS
10	4	CLIP ANGLE	4	647.8 LBS
11	2	1/2" GALV. RILL KIT	2	156 LBS
12	2	1/2" GALV. RILL KIT	2	156 LBS
13	8	1/2" GALV. HEAT NUT	8	844 LBS
14	4	1/2" X 1/2" GALV. THREADED ROD	4	808 LBS